

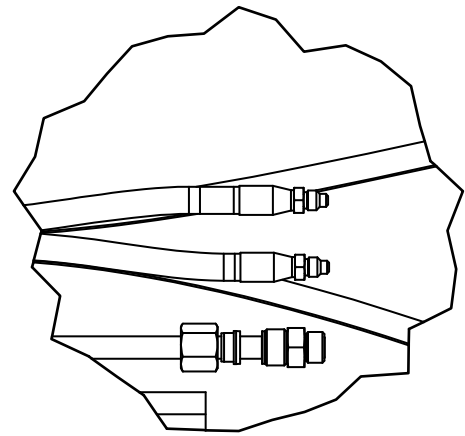
---

Auto Lube System, Boom

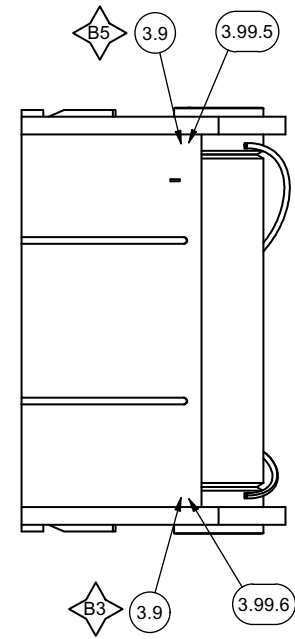
## Auto Lube System, Boom

Item	Part No.	Qty	Description	Item	Part No.	Qty	Description
	<b>600338</b>		<b>Auto Lube System, Boom</b>				
3.1	* 592591	1	. Distribution Block, 8 Port	3.12	231251	1	. Clamp
3.2	* 592528	4	. Metering Unit	3.13	212300	2	. Fitting
3.3	* 592527	2	. Metering Unit	3.15	209790	2	. Fitting
3.4	* 592554	1	. Plug, Twin Metering	3.99	600346	1	. Kit, Hose
3.5	* 592583	1	. Switch, Press	3.99.1	233270	1	.. Hose Assembly
3.6	229551	4	. Fitting	3.99.2	24980	1	.. Hose Assembly
3.7	293797W	2	. Capscrew	3.99.3	600840	1	.. Hose Assembly
3.8	209750	6	. Fitting	3.99.4	600843	1	.. Hose Assembly
3.9	209405	2	. Fitting	3.99.5	600847	1	.. Hose Assembly
3.10	231249	7	. Clamp	3.99.6	600848	1	.. Hose Assembly
3.11	231296	4	. Clamp	3.99.7	601079	2	.. Hose Assembly

\* Not included with 600338. Part of Kit 600336.

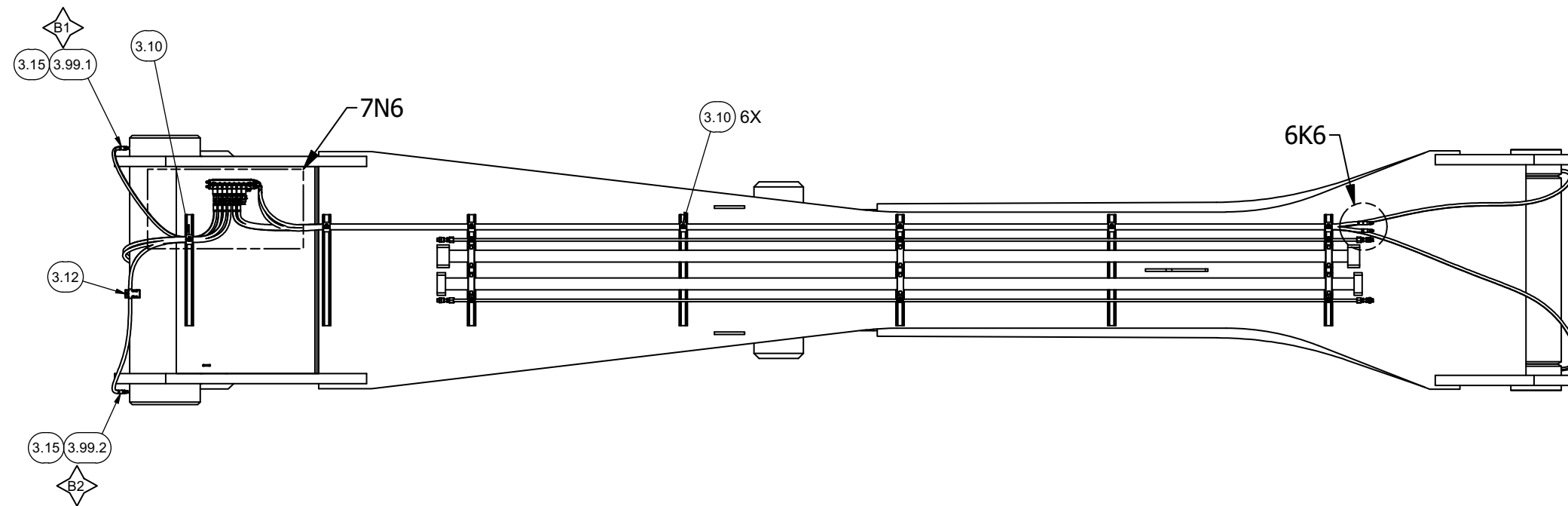
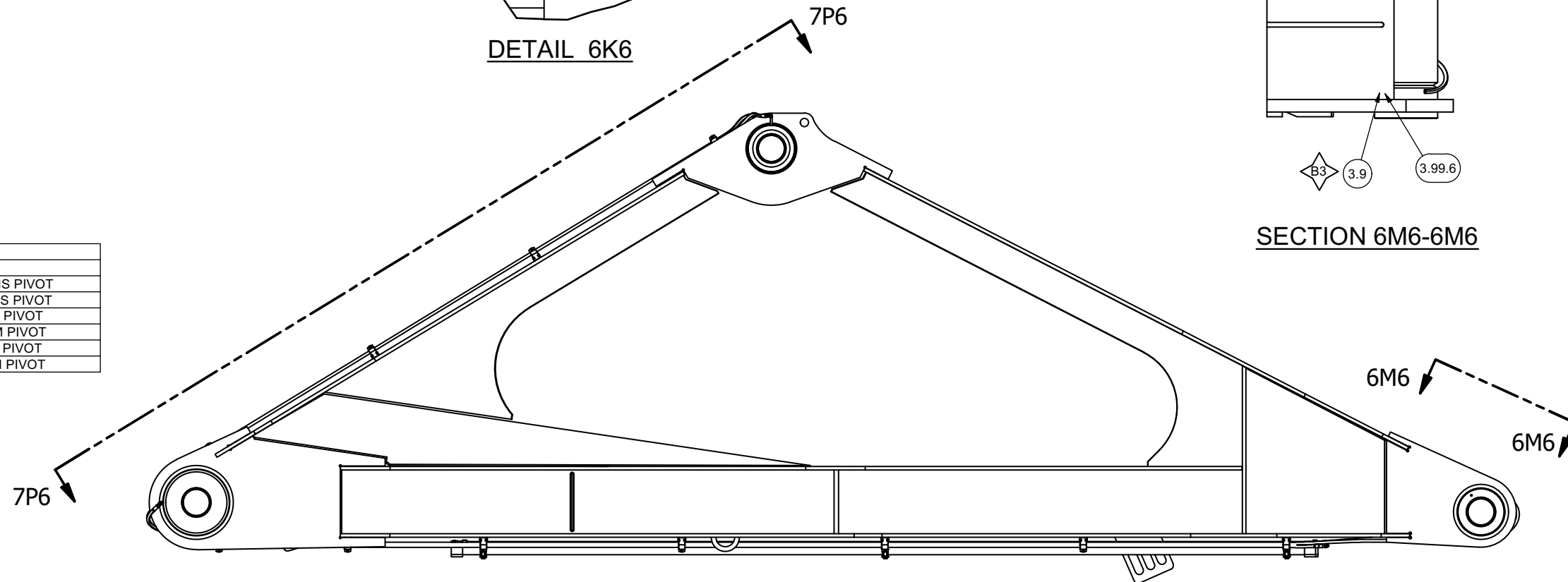


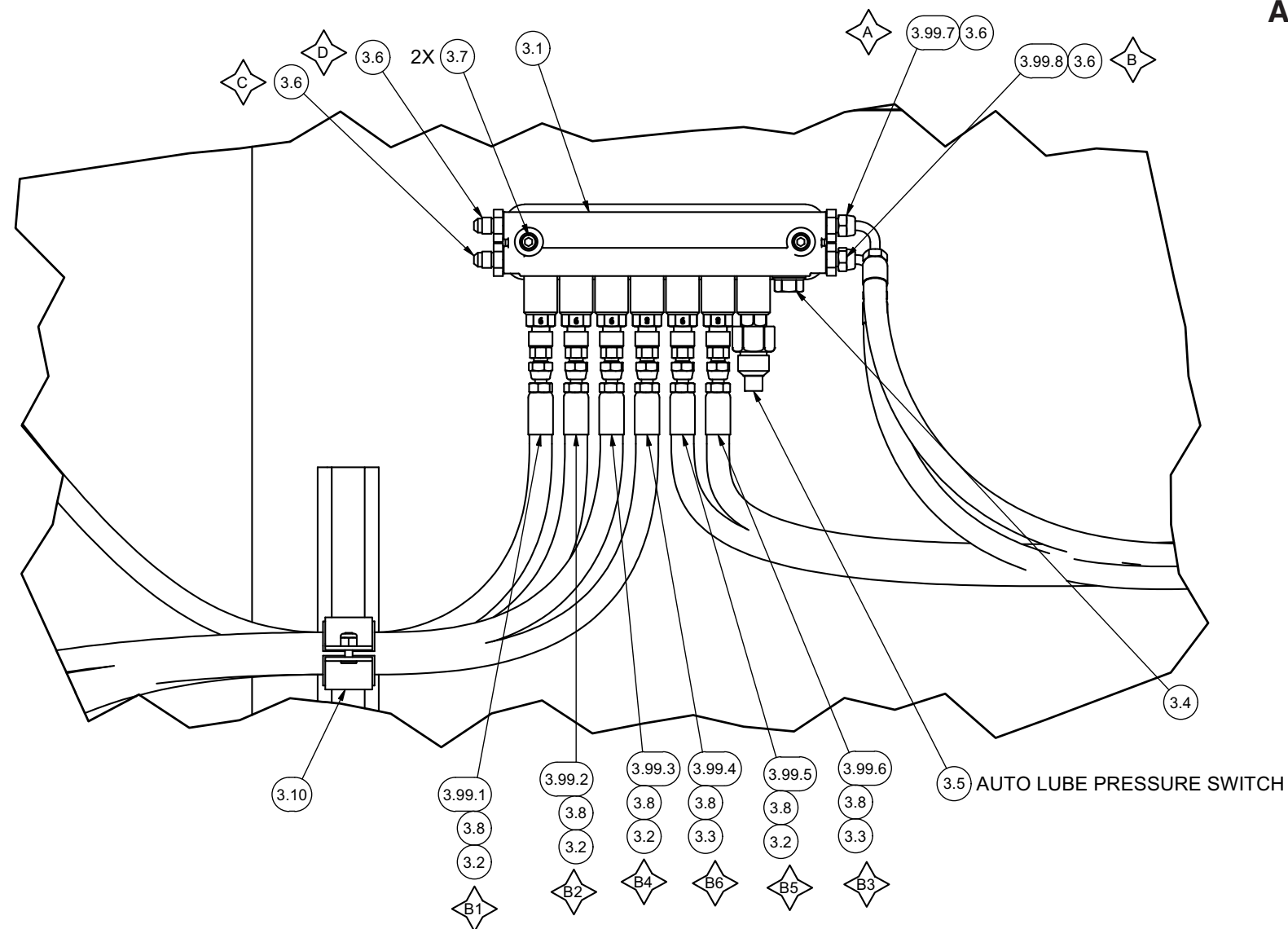
DETAIL 6K6



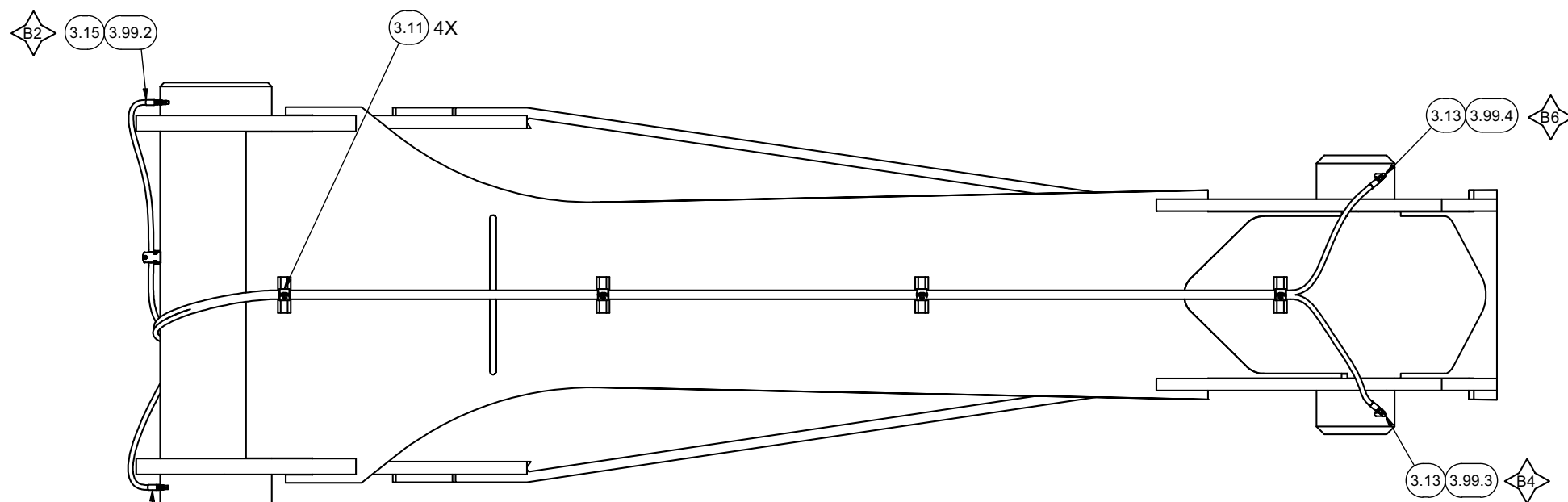
SECTION 6M6-6M6

BOOM ROUTING	
ROUTE	TO
B1	RH BOOM TO CHASSIS PIVOT
B2	LH BOOM TO CHASSIS PIVOT
B3	RH BOOM TO CARR PIVOT
B4	RH HOIST CYL STEM PIVOT
B5	LH BOOM TO CARR PIVOT
B6	LH HOIST CYL STEM PIVOT





**DETAIL 7N6**  
**BOOM GREASE DISTRIBUTION MANIFOLD**



**SECTION 7P6-7P6**  
**VIEW ROTATED FOR CLARITY**