

---

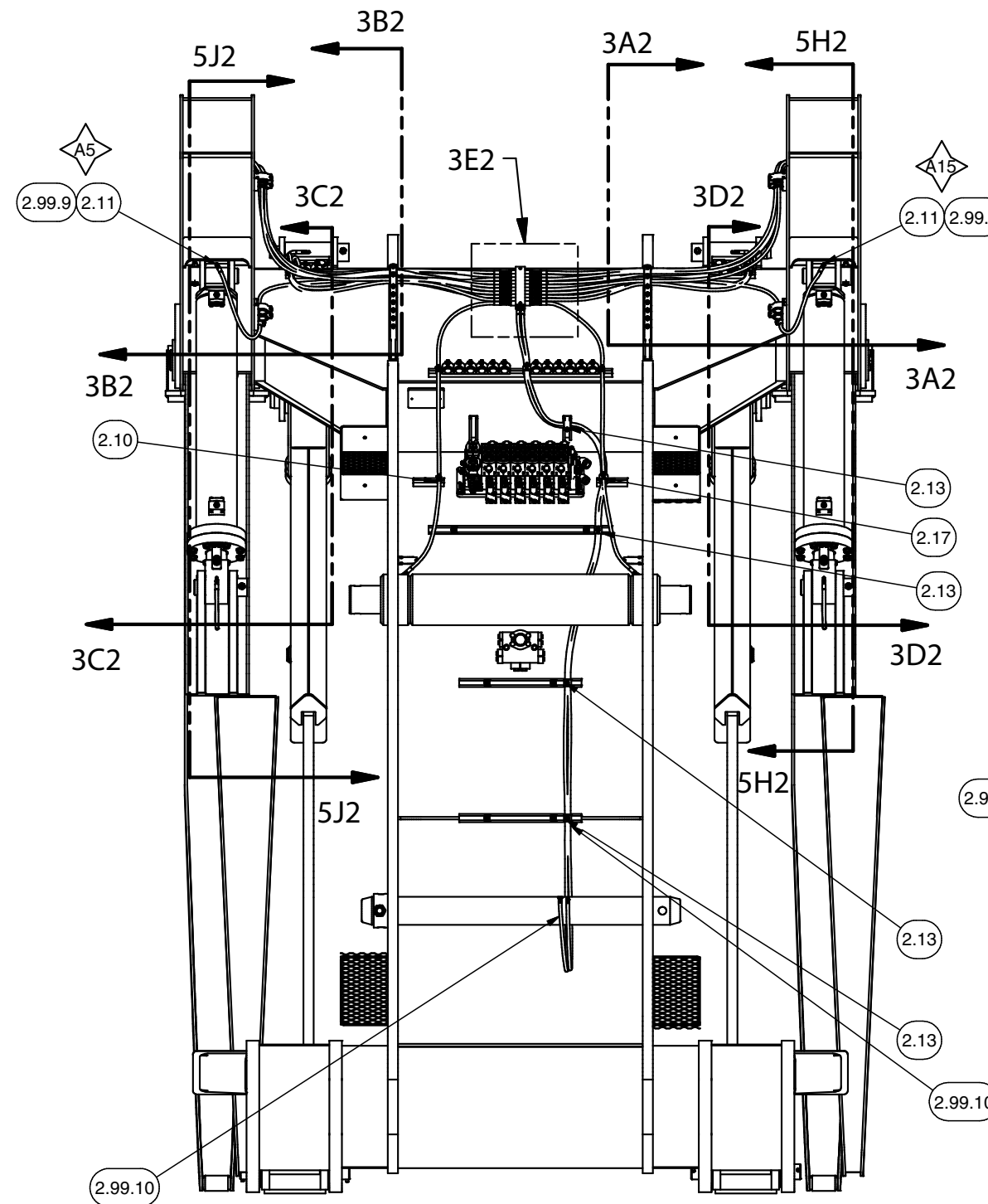
Auto Lube System, Carriage

## Auto Lube System, Carriage

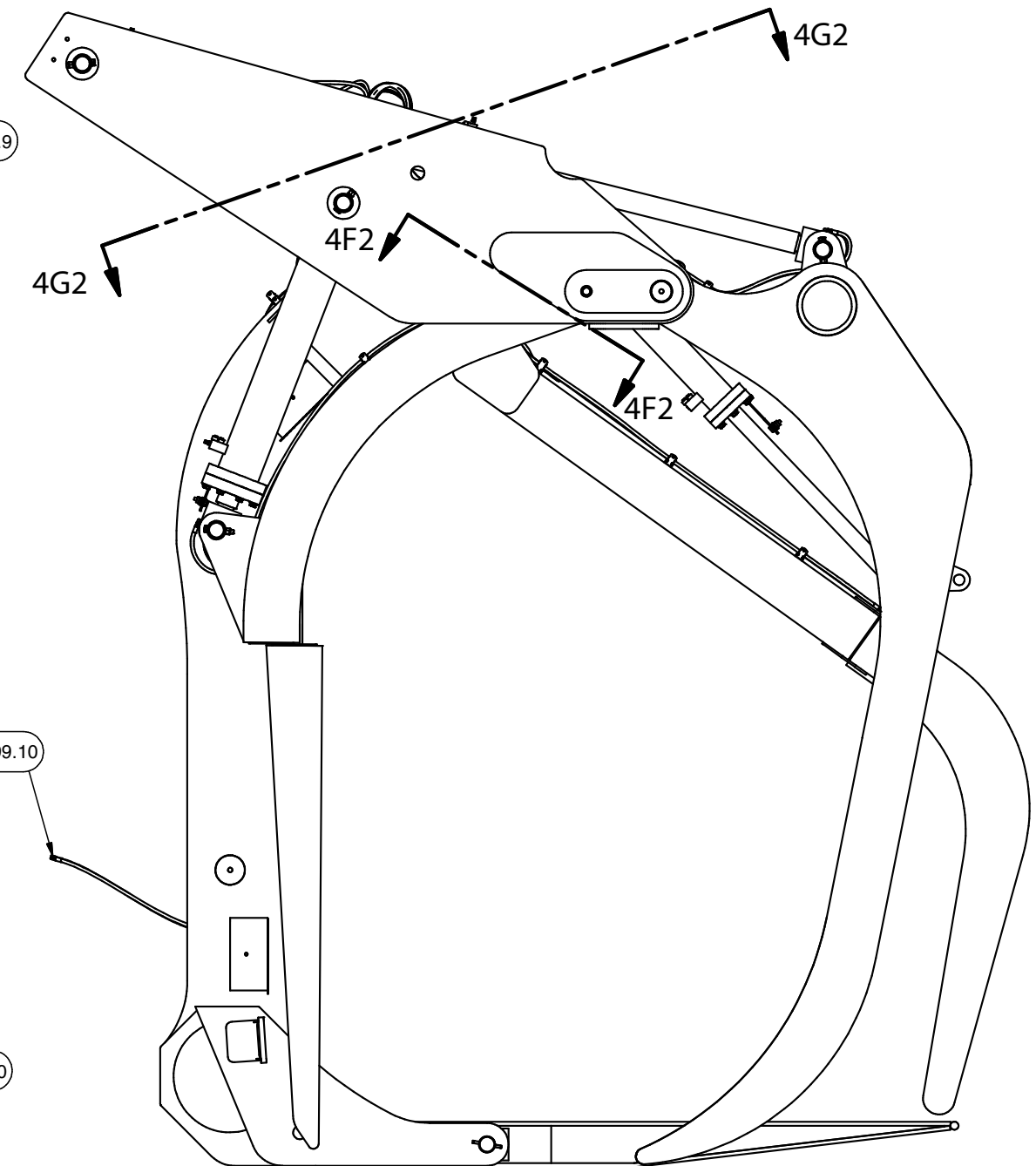
Item	Part No.	Qty	Description	Item	Part No.	Qty	Description
	<b>600337</b>		<b>Auto Lube System, Carriage</b>				
2.1	* 600589	1	. Distribution Block	2.15	249329	20	. Cable Tie
2.2	* 592528	6	. Metering Unit	2.16	R13811189	2	. Locknut
2.3	* 592524	12	. Metering Unit	2.17	231250	3	. Clamp
2.4	* 592526	2	. Metering Unit	2.99	600344	1	. Kit, Hose
2.5	229551	2	. Fitting	2.99.1	227928	2	.. Hose Assembly
2.6	251172	2	. Fitting	2.99.2	22075	2	.. Hose Assembly
2.7	Y73G-0424	2	. Capscrew	2.99.3	232674	2	.. Hose Assembly
2.8	209750	26	. Fitting	2.99.4	600842	2	.. Hose Assembly
2.9	231248	8	. Clamp	2.99.5	227472	3	.. Hose Assembly
2.10	231251	19	. Clamp	2.99.6	600841	2	.. Hose Assembly
2.11	209405	12	. Fitting	2.99.7	243478	1	.. Hose Assembly
2.12	231249	4	. Clamp	2.99.8	253940	2	.. Hose Assembly
2.13	231296	11	. Clamp	2.99.9	245895	4	.. Hose Assembly
2.14	R1931720	2	. Fitting	2.99.10	600840	2	.. Hose Assembly

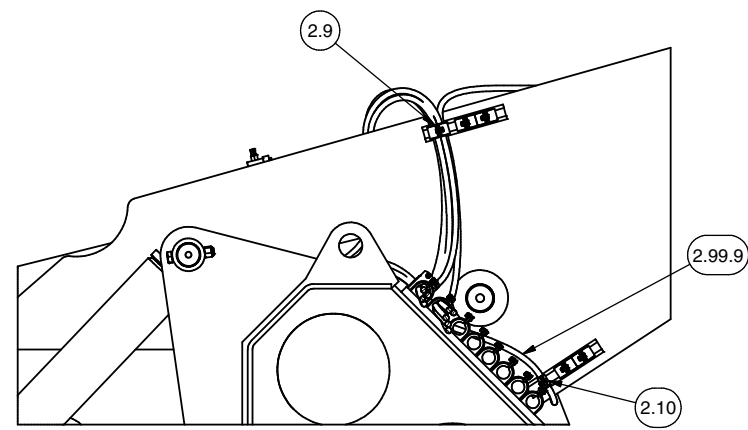
\* Not included with 600337. Part of Kit 600336.

CARRIAGE ROUTING	
ROUTE	TO
A1	LH HD CYL STEM
A2	LH HD PIVOT
A3	LH KO CYL STEM
A4	LH KO PIVOT
A5	LH KO CYL BASE
A6	LH HD CYL BASE
A7	LH AUX HD CYL BASE
A8	LH AUX HD PIVOT
A9	LH AUX HD CYL STEM
A10	LH CARRIAGE PIVOT
A11	RH HD CYL STEM
A12	RH HD PIVOT
A13	RH KO CYL STEM
A14	RH KO PIVOT
A15	RH KO CYL BASE
A16	RH HD CYL BASE
A17	RH AUX HD CYL BASE
A18	RH AUX HD PIVOT
A19	RH AUX HD CYL STEM
A20	RH CARRIAGE PIVOT

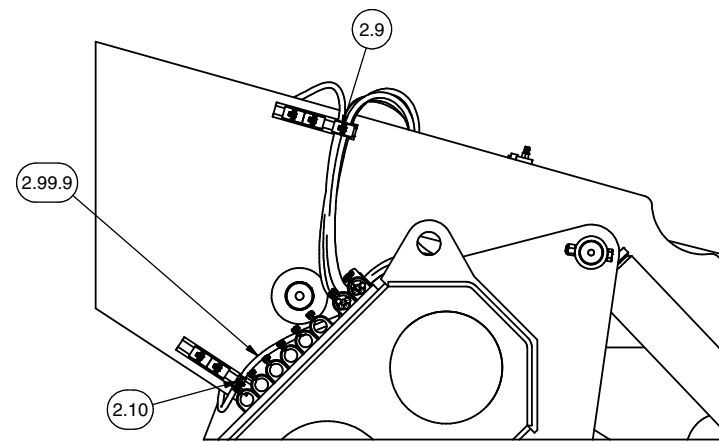


**CARRIAGE REAR VIEW**

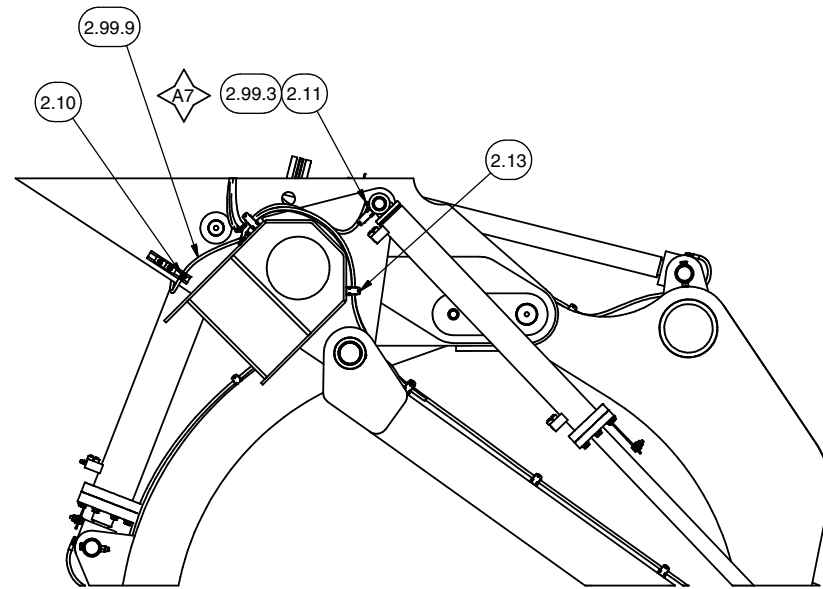




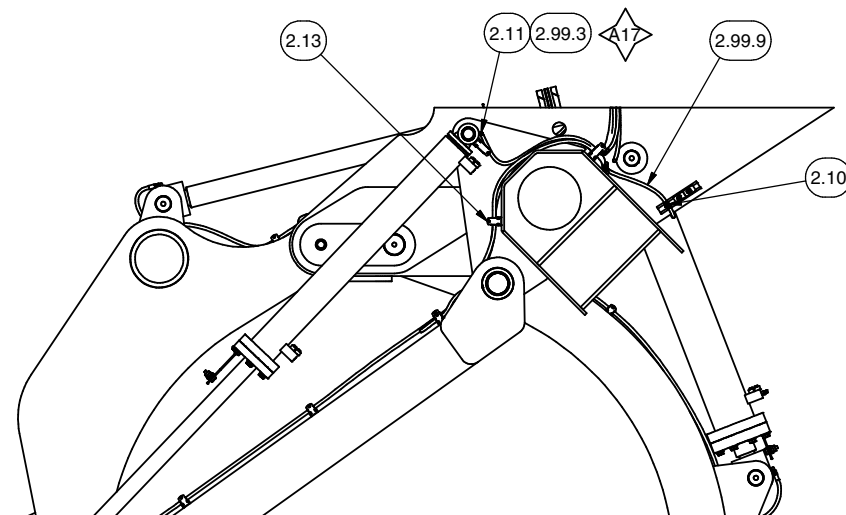
**SECTION 3A2-3A2**  
**RH LINE ROUTING**



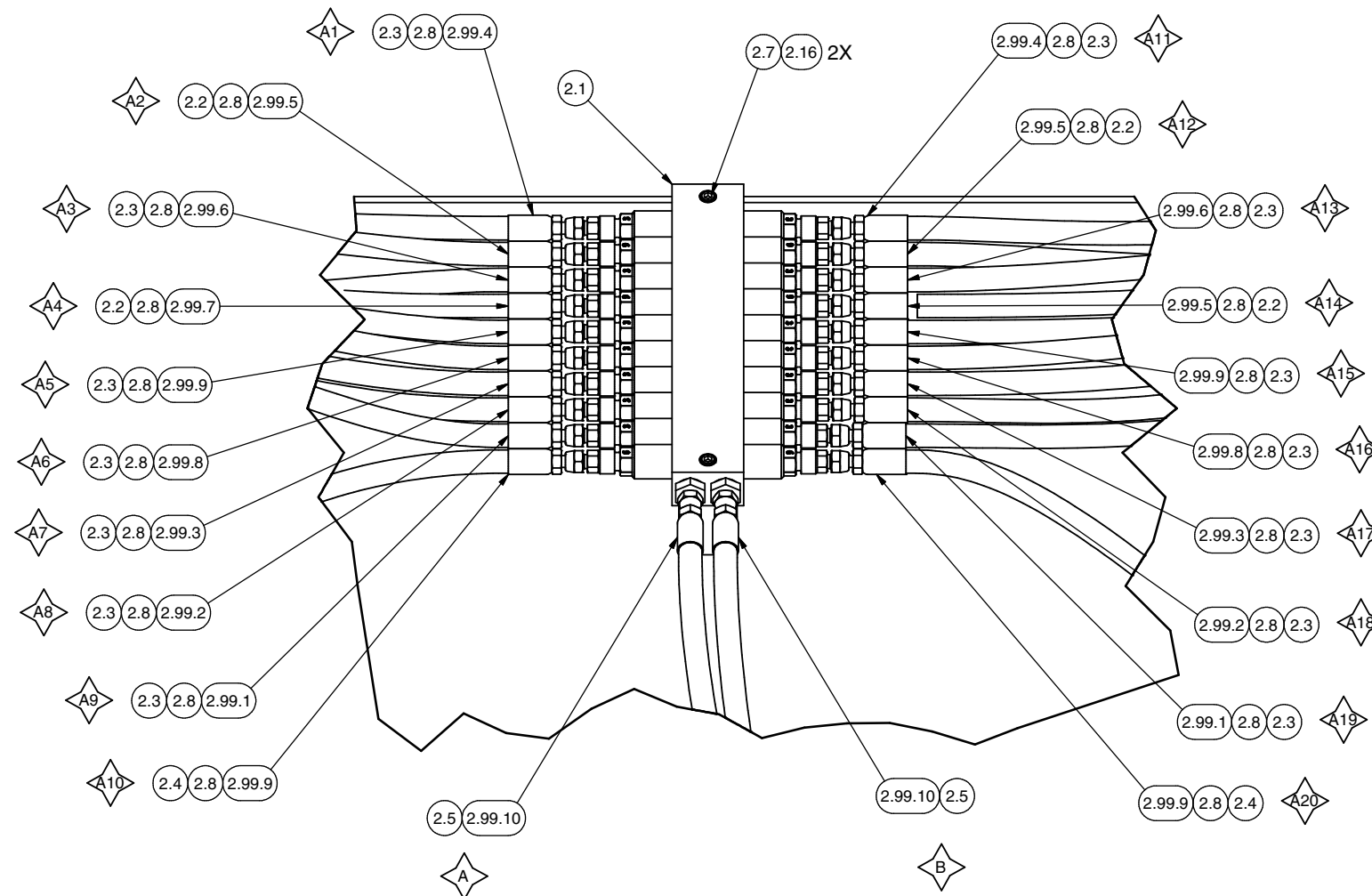
**SECTION 3B2-3B2**  
**LH LINE ROUTING**



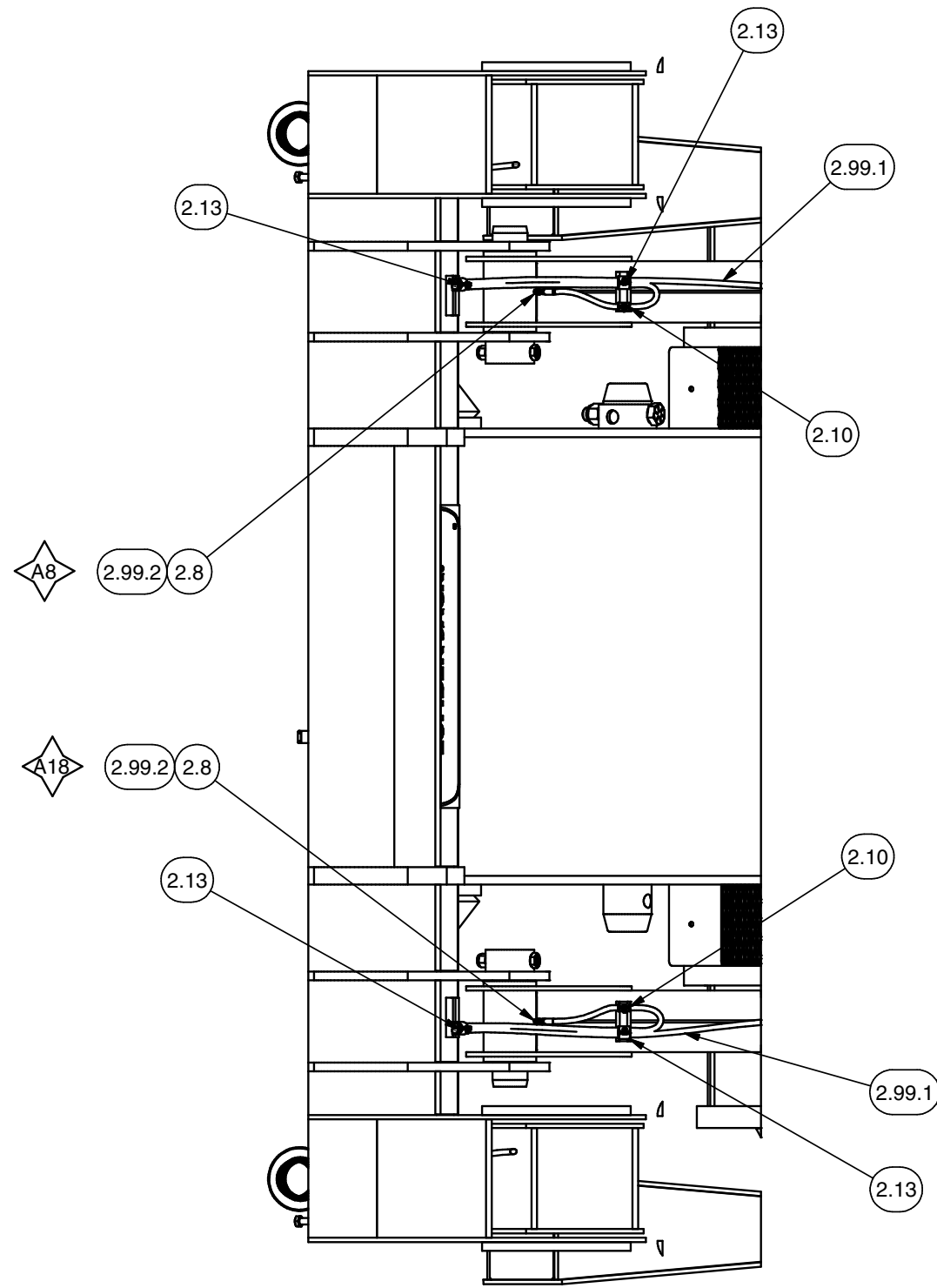
**SECTION 3C2-3C2**



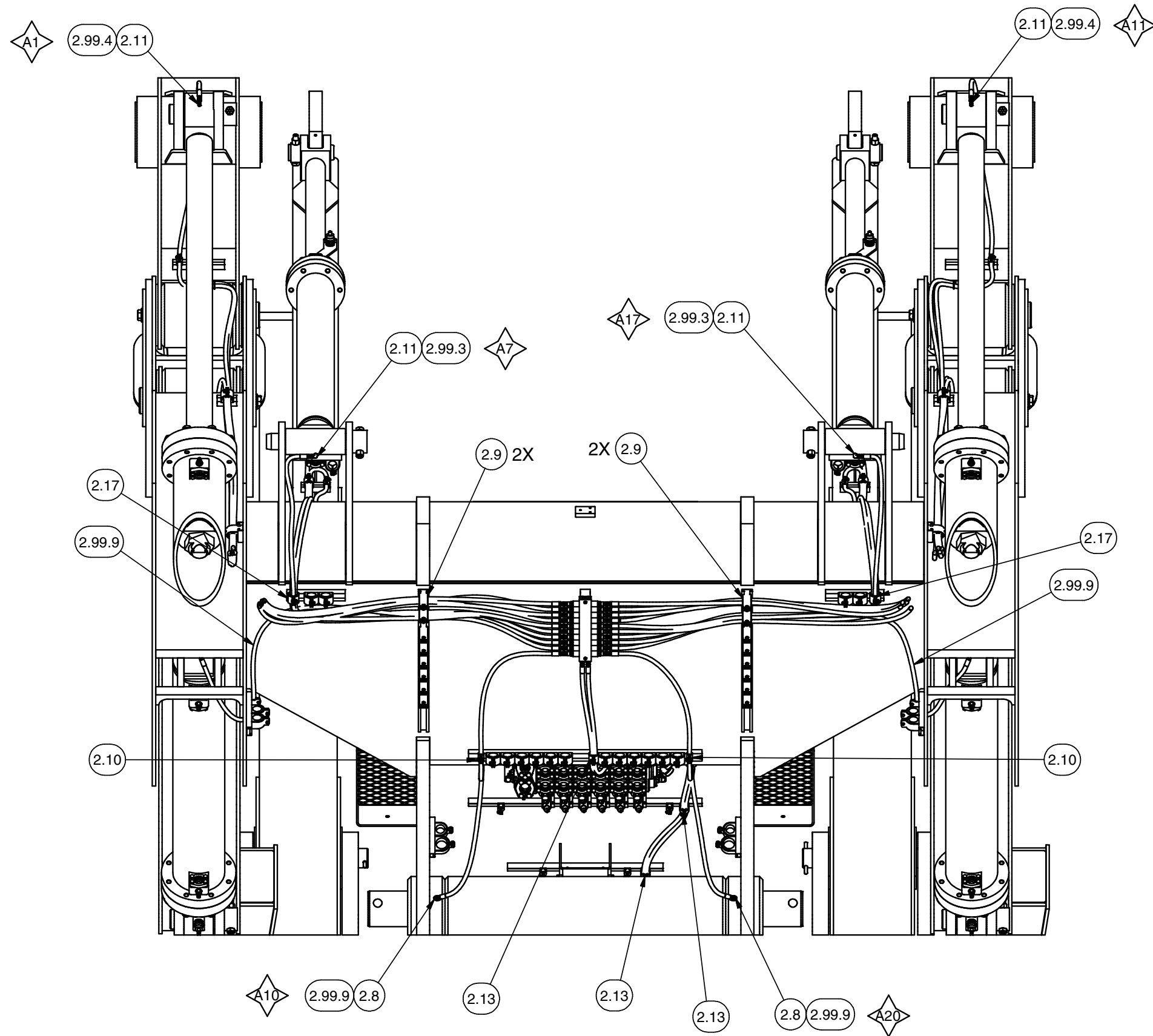
**SECTION 3D2-3D2**



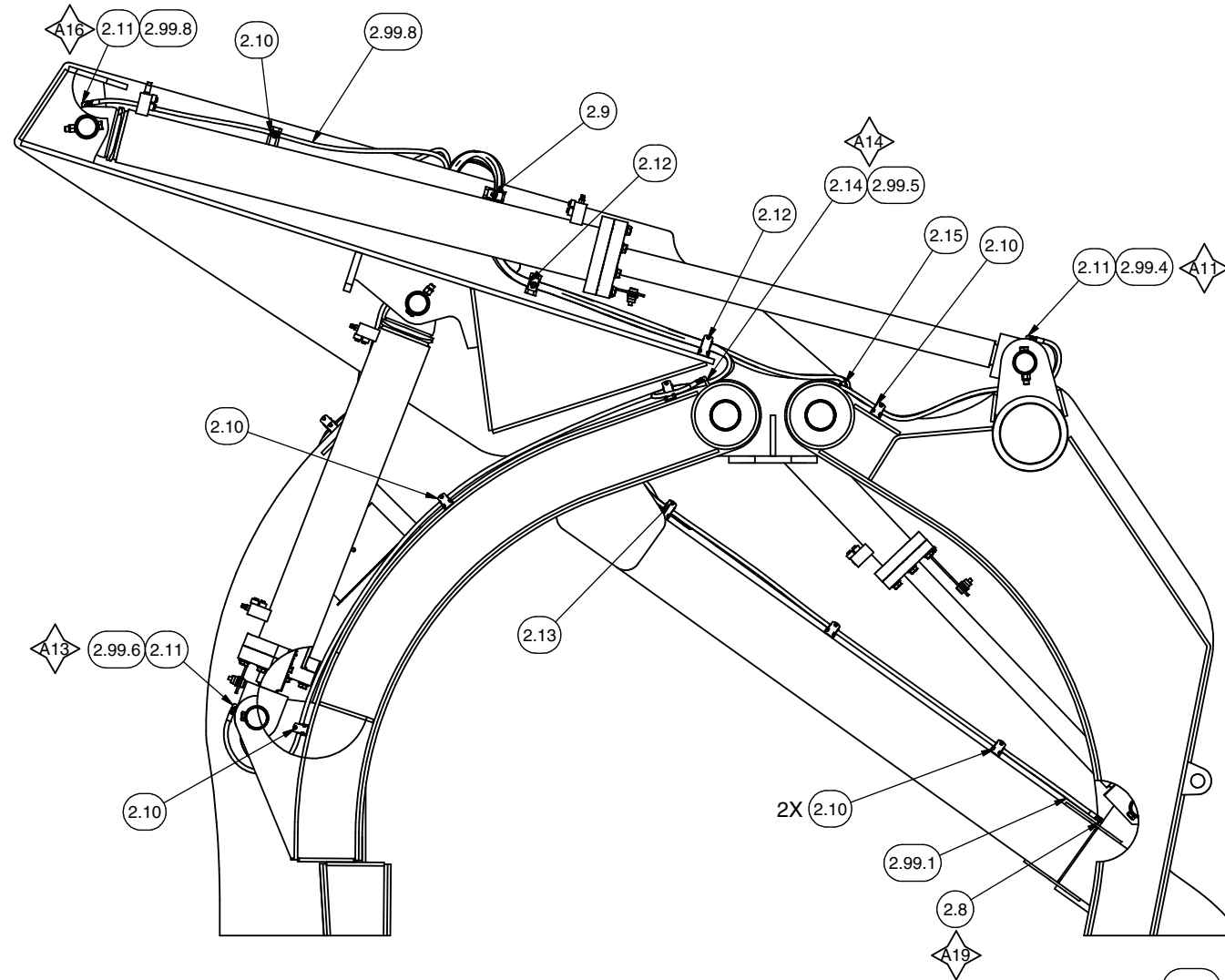
**DETAIL 3E2**  
**CARRIAGE GREASE DISTRIBUTION MANIFOLD**



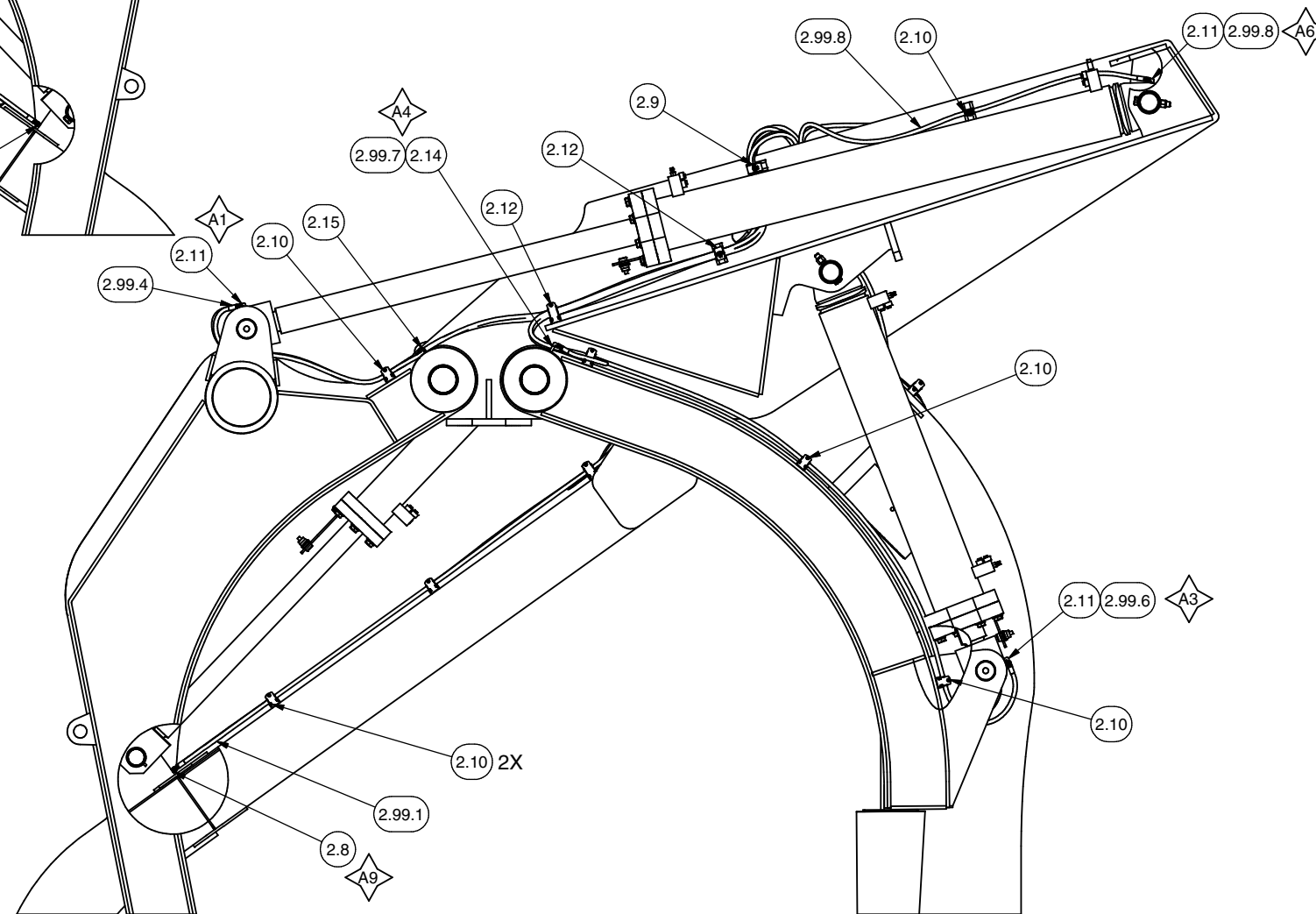
**SECTION 4F2-4F2**  
**VIEW ROTATED FOR CLARITY**



**SECTION 4G2-4G2**  
**SOME PARTS REMOVED FOR CLARITY**



**SECTION 5H2-5H2**  
**RH CARRIAGE GREASING SYSTEM**



**SECTION 5J2-5J2**  
**LH CARRIAGE GREASING SYSTEM**