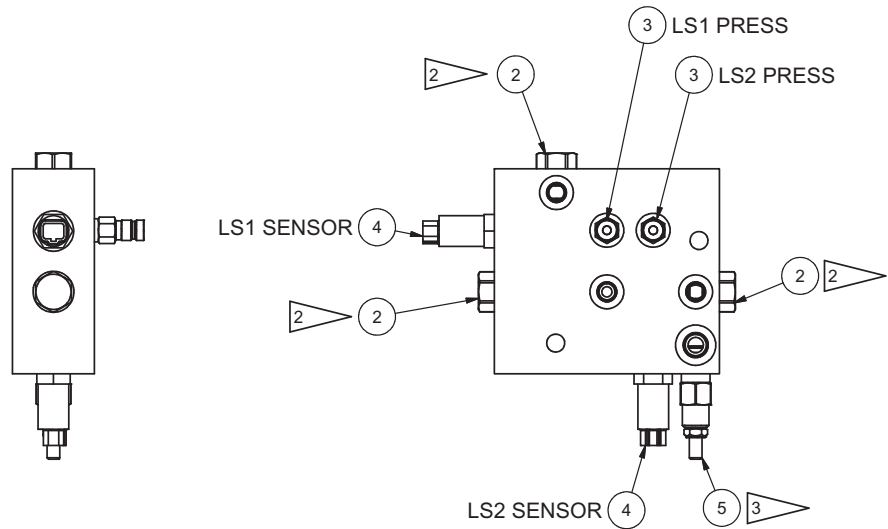
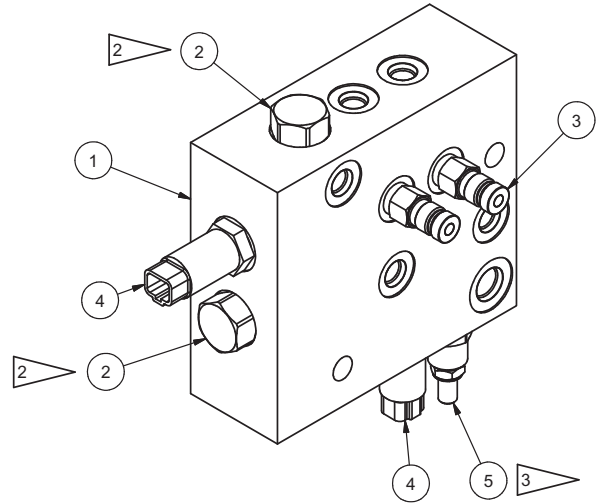
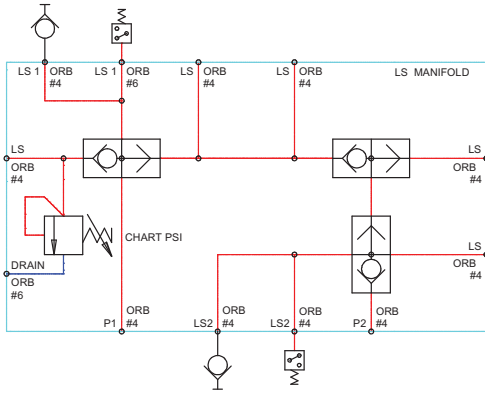
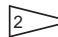
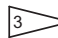


Manifold Assembly, LS, 2000 PSI



NOTES:

-  TORQUE TO 30-35 FT-LBS
-  TORQUE TO 20-25 FT-LBS

Item	Part No.	Qty	Description	Item	Part No.	Qty	Description
	600275		Manifold Assembly, LS, 2000 PSI				
1	600276	1	. Manifold	4	598153	2	. Transducer
2	232515	3	. Cartridge, Valve	5	600647-2000	1	. Cartridge Valve, 2000 PSI
	242101	1	.. Seal Kit		252875	1	.. Seal Kit
3	R14040	2	. Coupler, Male				