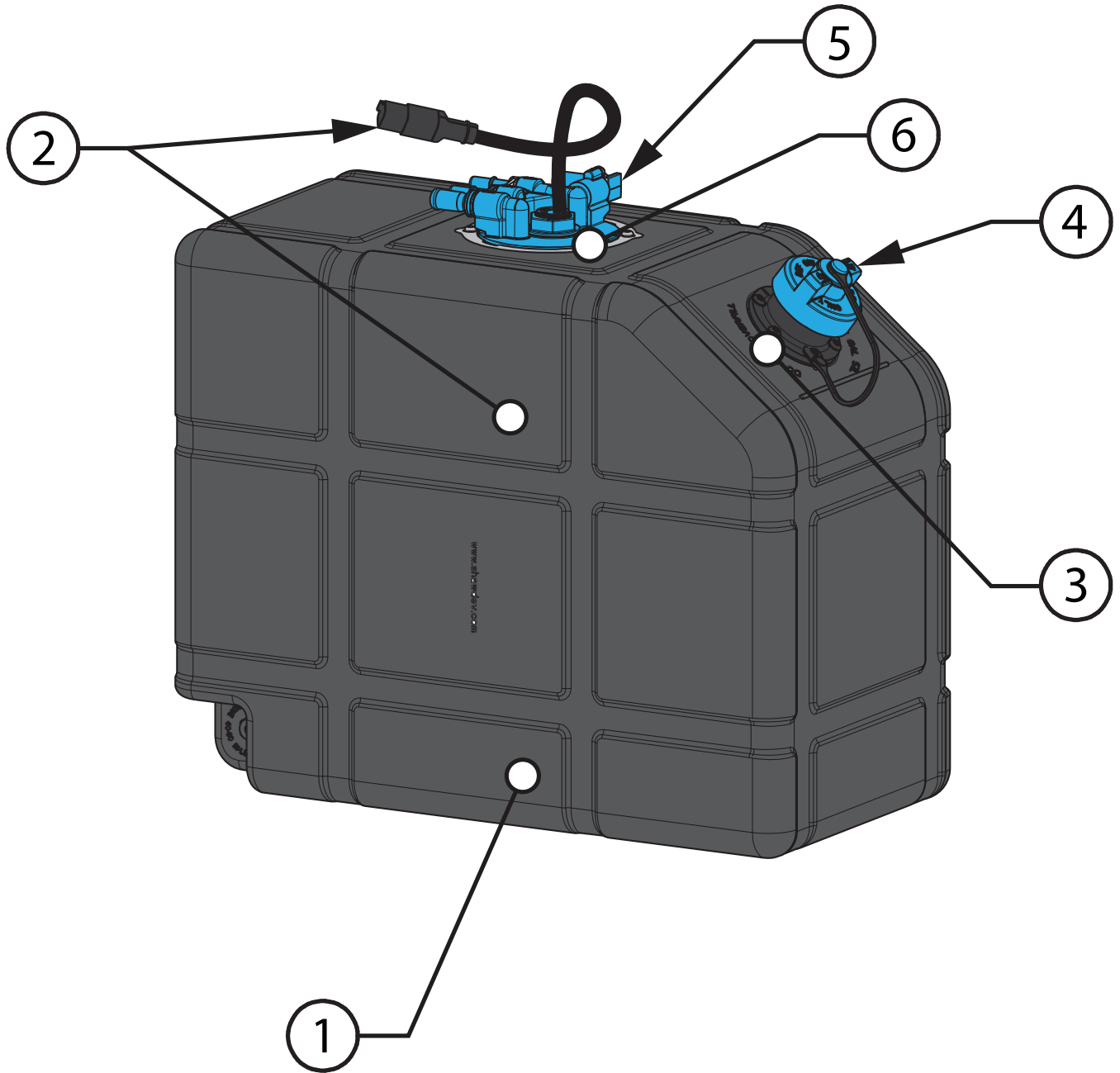


DEF Tank



Item	Part No.	Qty	Description	Item	Part No.	Qty	Description
	600188		DEF Tank				
1	600194	1	. DEF Suction Filter	4	600191	1	. Fill Cap
2	260419	1	. DEF Tank Sensor	5	600190	1	. Tank Head Unit Assembly
3	600192	1	. Fill Neck Strainer	6	600189	1	. Tank Head Unit O-Ring