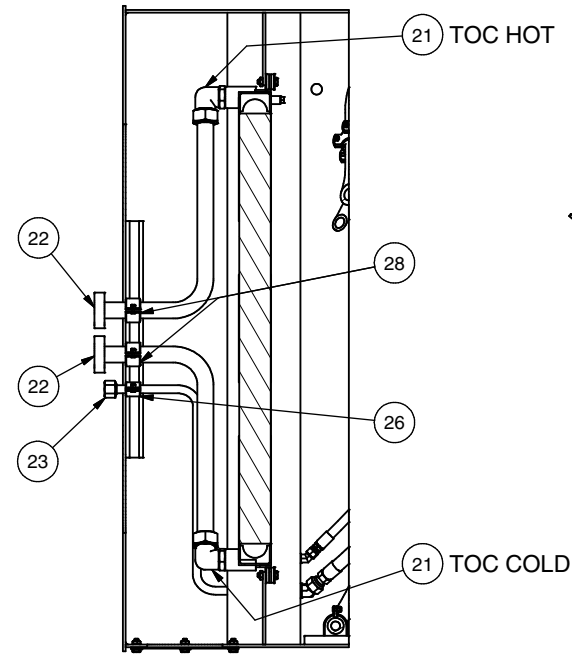

Cooling Package Assembly, RH

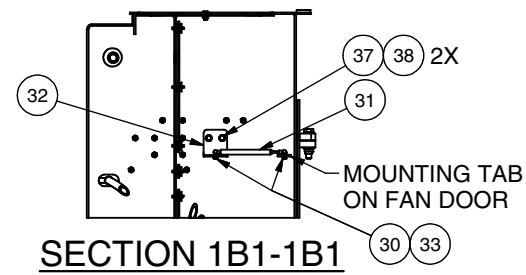
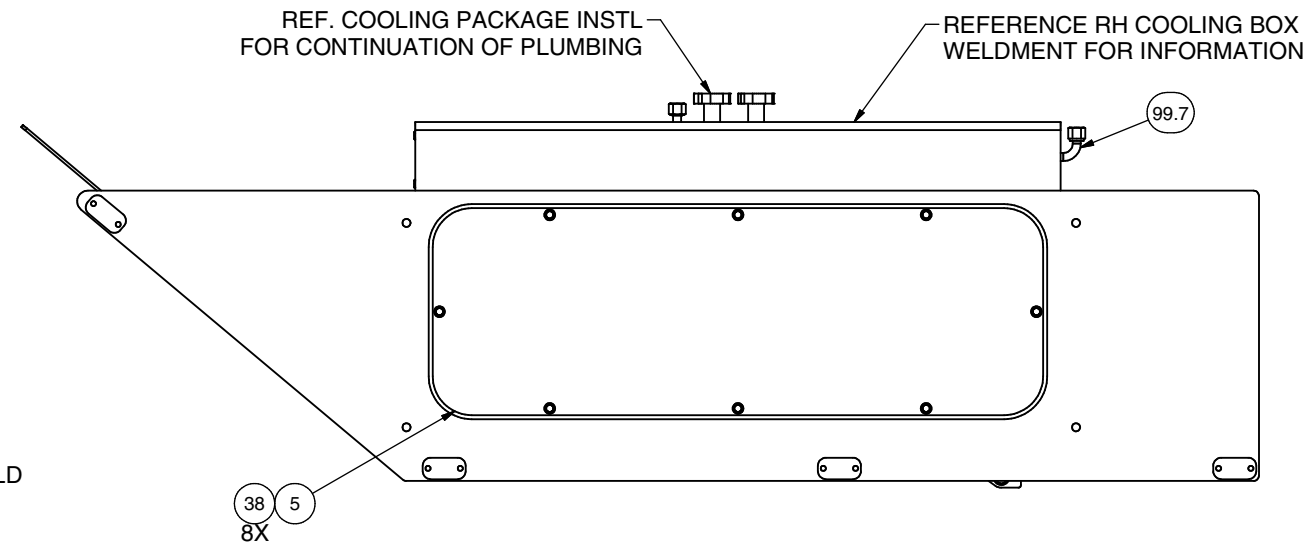
Cooling Package Assembly, RH

Item	Part No.	Qty	Description	Item	Part No.	Qty	Description
	600146		Cooling Package Assembly, RH				
1	* 599994	1	. Cooling Package, HOC/TOC/FOC/AC/BOC	34	221771W	16	. Washer
2	597738	1	. Guard, Fan	35	293647W	8	. Capscrew
3	597894	1	. Motor W/Valve	36	302402W	10	. Locknut
4	* 598631	1	. Fan, Sucker	37	R13811432	8	. Washer
5	598590	1	. Plate, Access Cover	38	293628W	16	. Capscrew
6	598606	1	. Plate, Cleanout Cover	39	293631W	20	. Capscrew
8	231444	1	. Fitting	40	R1929619	40	. Washer, Rubber
11	231433	1	. Hose End	41	237578	40	. Washer, Fender
12	R833412	1	. Fitting	42	296422W	4	. Washer
13	R833806	1	. Fitting	43	248986	2	. Capscrew
15	589536	1	. Ball Valve	44	251400	2	. Hex Nut
16	22293	1	. Fitting	45	595198-54	1	. Silicone, Rubber
17	209414	1	. Fitting	46	246037	A/R	. Threadlock
18	209797	1	. Fitting	47	209423	2	. Fitting
19	2514292	2	. Fitting	48	R833112	1	. Fitting
20	231454	1	. Fitting	49	272-0352	1	. Fitting
21	R833280	2	. Fitting	50	272-0350	1	. Fitting
22	598607	2	. Tube Assembly	51	231296	2	. Clamp
23	598608	1	. Tube Assembly	52	R833270	2	. Fitting
24	601795	20	. Spacer, Isolator	53	R2528352	2	. Clip, Insulated
25	209698	2	. Clamp	99	600333	1	. Kit, Hose
26	231537	1	. Clamp	99.1	598613	1	. . Hose Assembly
27	CLP0100112	2	. Clamp	99.2	049-2401	1	. . Hose Assembly
28	231248	6	. Clamp	99.3	598614	1	. . Hose Assembly
29	598517-176	1	. Trim, Hatch Seal	99.4	599460	1	. . Hose Assembly, Fuel
30	R13114	2	. Stud, Ball	99.5	599968	1	. . Hose Assembly
31	234774	1	. Spring, Gas	99.6	600334	1	. . Hose Assembly
32	598612	1	. Bracket, Strut Mount	99.7	049-2379	1	. . Hose Assembly
33	221705W	2	. Hex Nut				

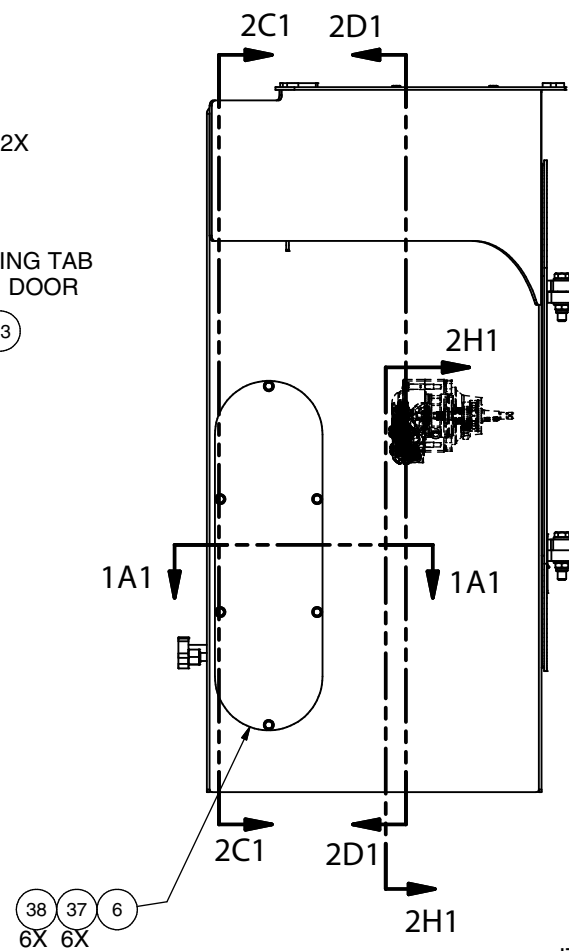
* See Separate Coverage



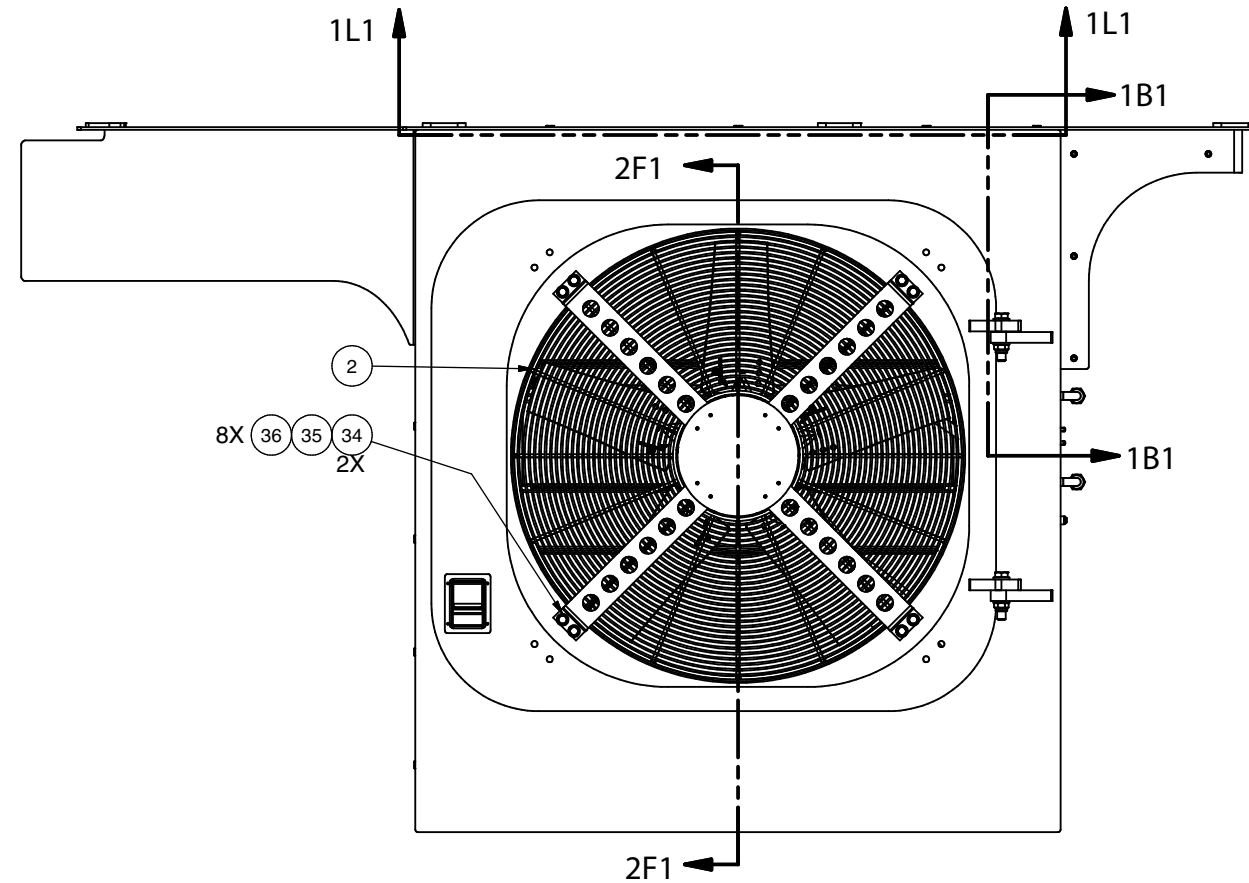
SECTION 1A1-1A1



SECTION 1B1-1B1



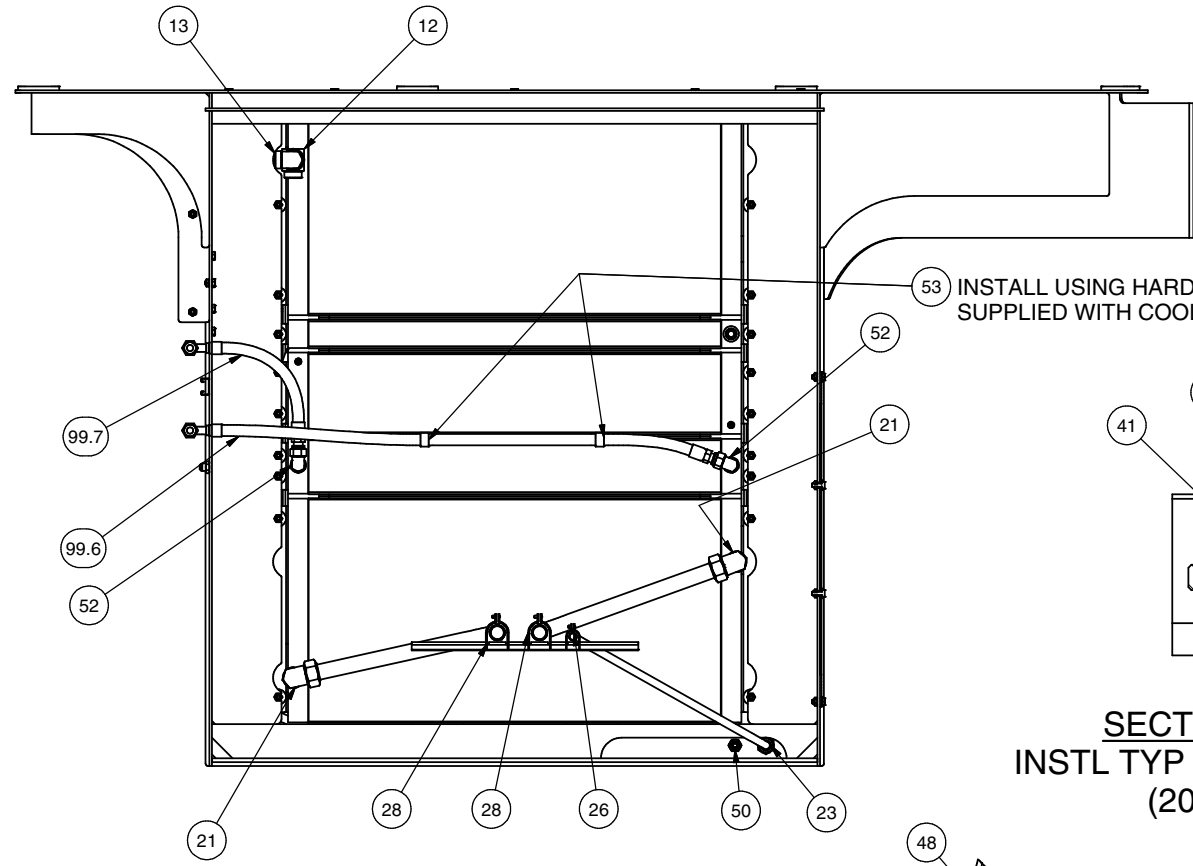
INSTALL ITEM 45 BY ADHERING TO ITEM 5 (COVER PLATE) ON CENTER.



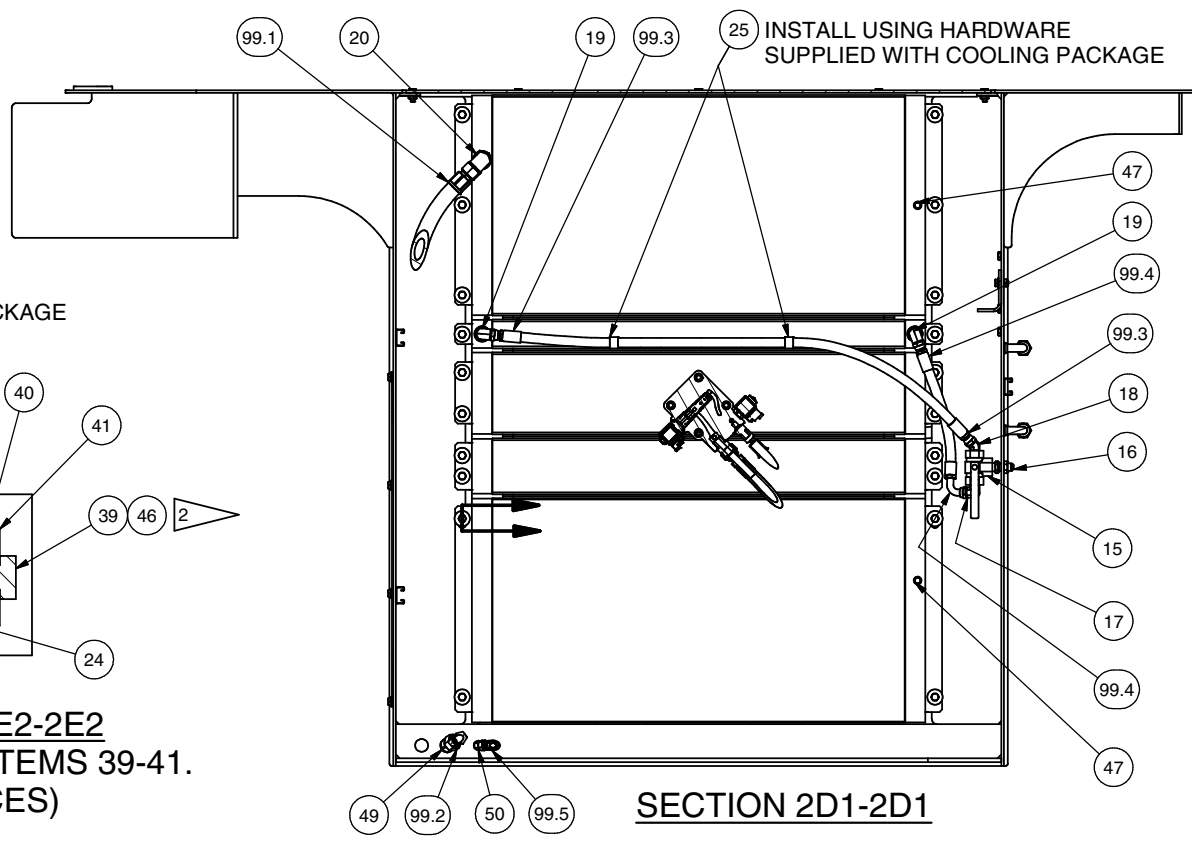
SECTION 1L1-1L1

NOTES:

- 1 TORQUE FAN ATTACHMENT HARDWARE TO 60-65 FT-LBS.
- 2 USE BLUE LOCTITE (ITEM 46) WHEN TORQUING HARDWARE FOR INSTALLING COOLING PACKAGE ASSEMBLY (ITEM 1).

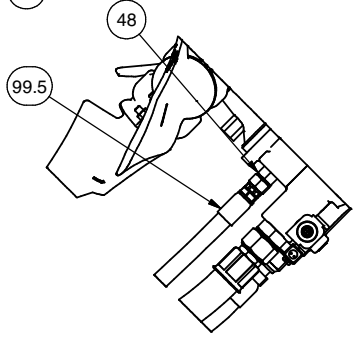
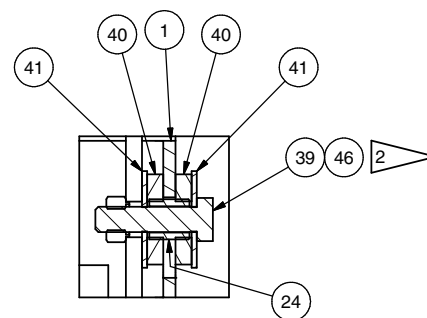


SECTION 2C1-2C1

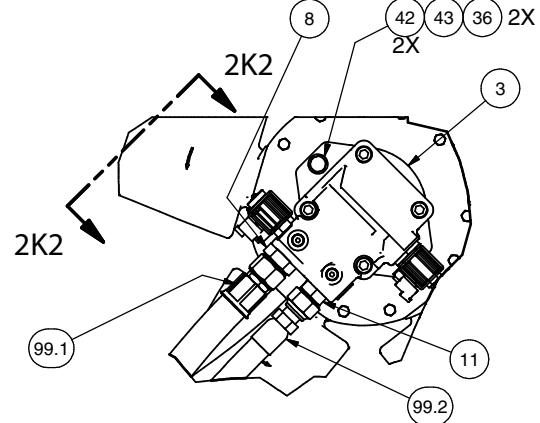


SECTION 2D1-2D1

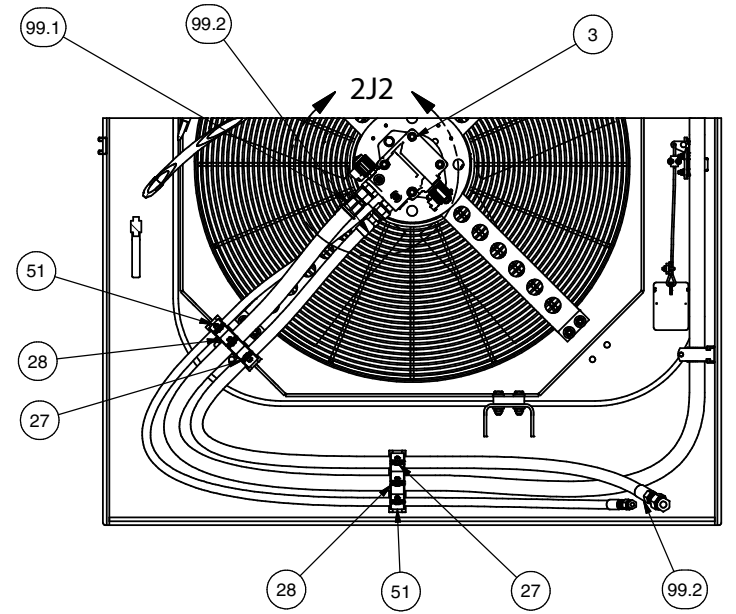
SECTION 2E2-2E2
INSTL TYP FOR ITEMS 39-41.
(20 PLACES)



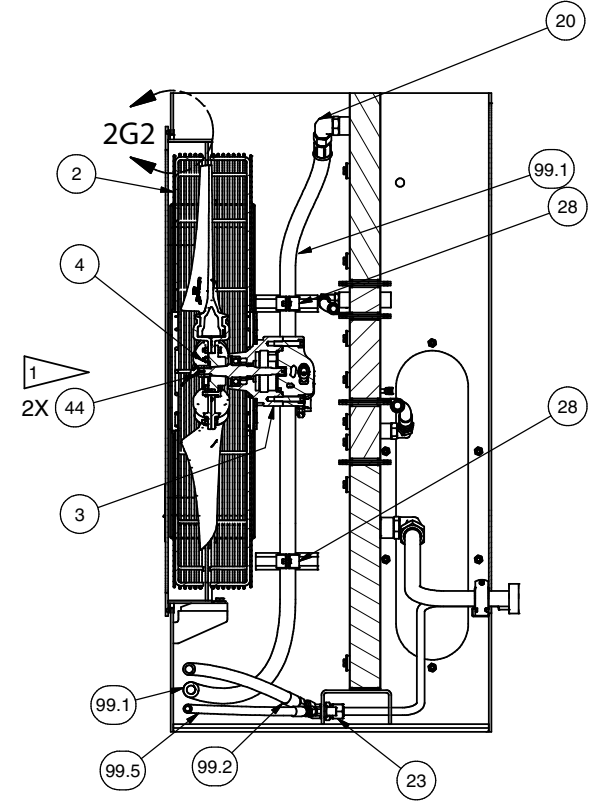
SECTION 2K2-2K2



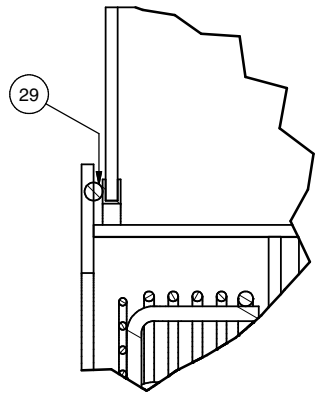
DETAIL 2J2
ITEM 3 (FAN GUARD)
REMOVED FOR CLARITY



SECTION 2H1-2H1



SECTION 2F1-2F1



DETAIL 2G2