
Cooling Package Installation

Cooling Package Installation

Item	Part No.	Qty	Description	Item	Part No.	Qty	Description
Cooling Package Installation							
1	* 600146	1	. Cooling Package Assembly, RH	32	231441	1	. Fitting
2	* 599695	1	. Cooling Package Assembly, LH				
3	599696	1	. Surge Tank	34	601540	2	. Plate, Surge Tank Mount
	259702	1	.. Sight Glass Kit	35	249329	10	. Cable Tie
	599410	1	.. Pressure Cap	36	293632W	4	. Capscrew
4	R13811210	4	. Capscrew	37	602712	1	. Fitting
5	R13811432	16	. Washer	38	253983	1	. Ball Valve
6	302401W	8	. Locknut	39	594450	1	. Fitting
7	599978	1	. Tube, CAC	99	600331	1	. Kit, Hose
8	243488	3	. Connector	99.1	211791-34	1	.. Hose, Radiator
9	243489	6	. Clamp	99.2	211791-36	1	.. Hose, Radiator
10	2514292	1	. Fitting	99.3	258951-40	1	.. Suction Hose
11	243248	1	. Fitting	99.4	224766-76	1	.. Hose, Coolant
12	598621	2	. Fitting	99.5	209275	1	.. Hose Assembly
13	R833659	2	. Fitting	99.6	208149	2	.. Hose Assembly
14	209406	5	. Fitting	99.7	598623	2	.. Hose Assembly
15	R833136	1	. Fitting	99.8	595183	1	.. Hose Assembly
16	244959	1	. Fitting	99.9	049-2384	1	.. Hose Assembly
17	209752	1	. Fitting	99.10	598624	1	.. Hose Assembly
18	R834655	4	. Fitting	99.11	598625	1	.. Hose Assembly
19	602870	1	. Fitting	99.12	598626	1	.. Hose Assembly
20	231472	1	. Fitting	99.13	593563	1	.. Hose Assembly
21	592862	2	. Kit, Split Flange	99.14	598627	1	.. Hose Assembly
22	12721	1	. Kit, Split Flange	99.15	209930	1	.. Hose Assembly
	203519	1	.. O-Ring	99.16	255988	1	.. Hose Assembly
24	231296	8	. Clamp	99.17	592580	1	.. Hose Assembly
25	CLP0100112	7	. Clamp	99.18	600302	1	.. Hose Assembly
26	255588	3	. Clamp				
27	218642	2	. T-Bolt Clamp	* See Separate Coverage			
28	219321	4	. T-Bolt Clamp				
29	225369	4	. T-Bolt Clamp				
30	CLP0100200	1	. Clamp				
31	R834700	1	. Fitting				

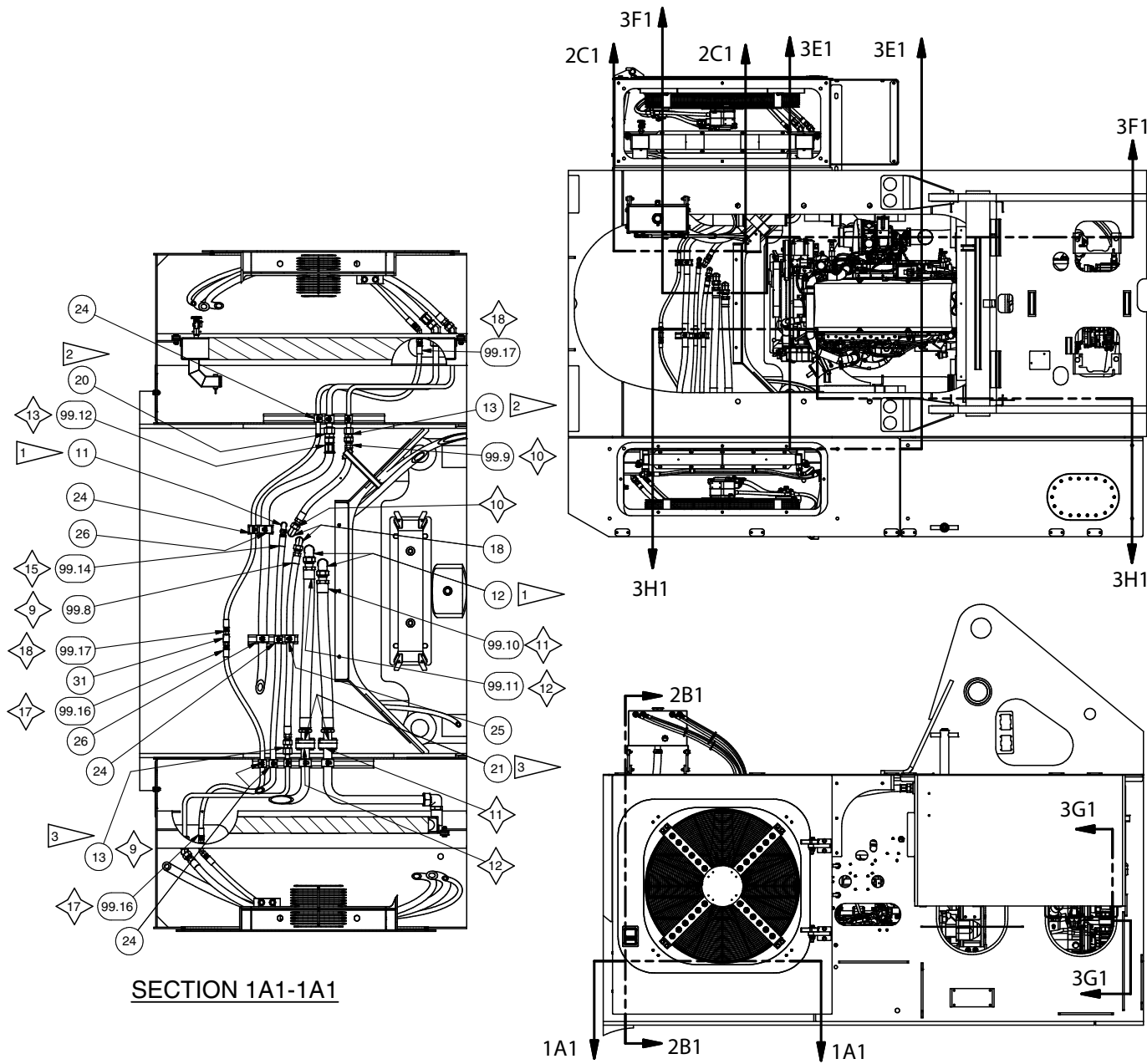
& THE ROUTING TABLE DETAIL THE START AND END OF HOSE ROUTINGS. USE ROUTING TABLE WHEN INSTALLING ITEM 99 (HOSE KIT).

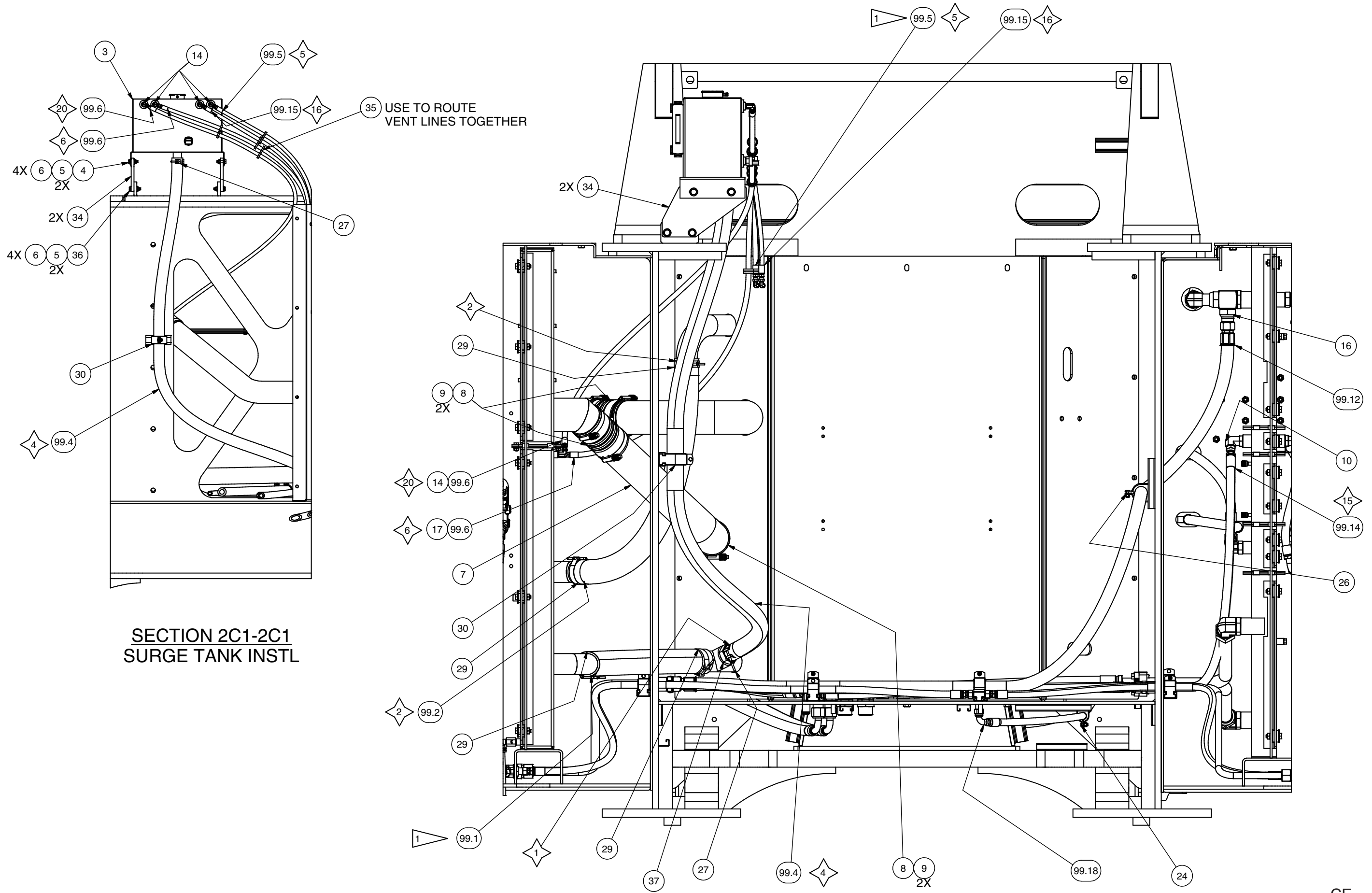
ROUTE NO.	FROM	TO
1	LOWER RAD. PORT (COLD SIDE)	LOWER BULKHEAD WLDMT RAD. PORT
2	UPPER BULKHEAD WLDMT RAD. PORT	UPPER RAD. PORT (HOT SIDE)
3	HYD. TANK SUCTION BULKHEAD	INLET OF FAN DRIVE PUMP
4	SURGE TANK LOWER PORT	LOWER BULKHEAD WLDMT RAD. PORT
5	SURGE TANK VENT PORT	BULKHEAD FITTING BULKHEAD WLDMT
6	SURGE TANK VENT PORT	FRONT UPPER RAD. VENT PORT
7	UPPER OUTLET PORT OF FAN DRIVE PUMP	INNER BULKHEAD FITTING AIR SCOOP
8	LOWER OUTLET PORT OF FAN DRIVE PUMP	OUTER BULKHEAD FITTING AIR SCOOP
9	INNER BULKHEAD FITTING AIR SCOOP	RH COOLING PACKAGE FAN SUPPLY TUBE
10	OUTER BULKHEAD FITTING AIR SCOOP	LH COOLING PACKAGE FAN SUPPLY TUBE
11	BULKHEAD FITTING (TRANS HOT SIDE)	RH COOLING PACKAGE TUBE (TRANS HOT SIDE)
12	BULKHEAD FITTING (TRANS COLD SIDE)	RH COOLING PACKAGE TUBE (TRANS COLD SIDE)
13	LH COOLING PACKAGE MOTOR RETURN TUBE	RH COOLING PACKAGE HYD. COOLER OUT
14	RH COOLING PACKAGE HYD. COOLER OUT	HYD. TANK RETURN PORT
15	RH COOLING PACKAGE FUEL COOLER OUT	BULKHEAD FITTING AIR SCOOP
16	SURGE TANK VENT PORT	BULKHEAD FITTING BULKHEAD WLDMT
17	RH COOLING FAN MOTOR DRAIN	BULKHEAD TEE FITTING AIR SCOOP
18	LH COOLING FAN MOTOR DRAIN	BULKHEAD TEE FITTING AIR SCOOP
19	BULKHEAD TEE FITTING AIR SCOOP	HYDRAULIC TANK RETURN BULKHEAD PLATE
20	SURGE TANK VENT PORT	REAR UPPER RAD. VENT PORT

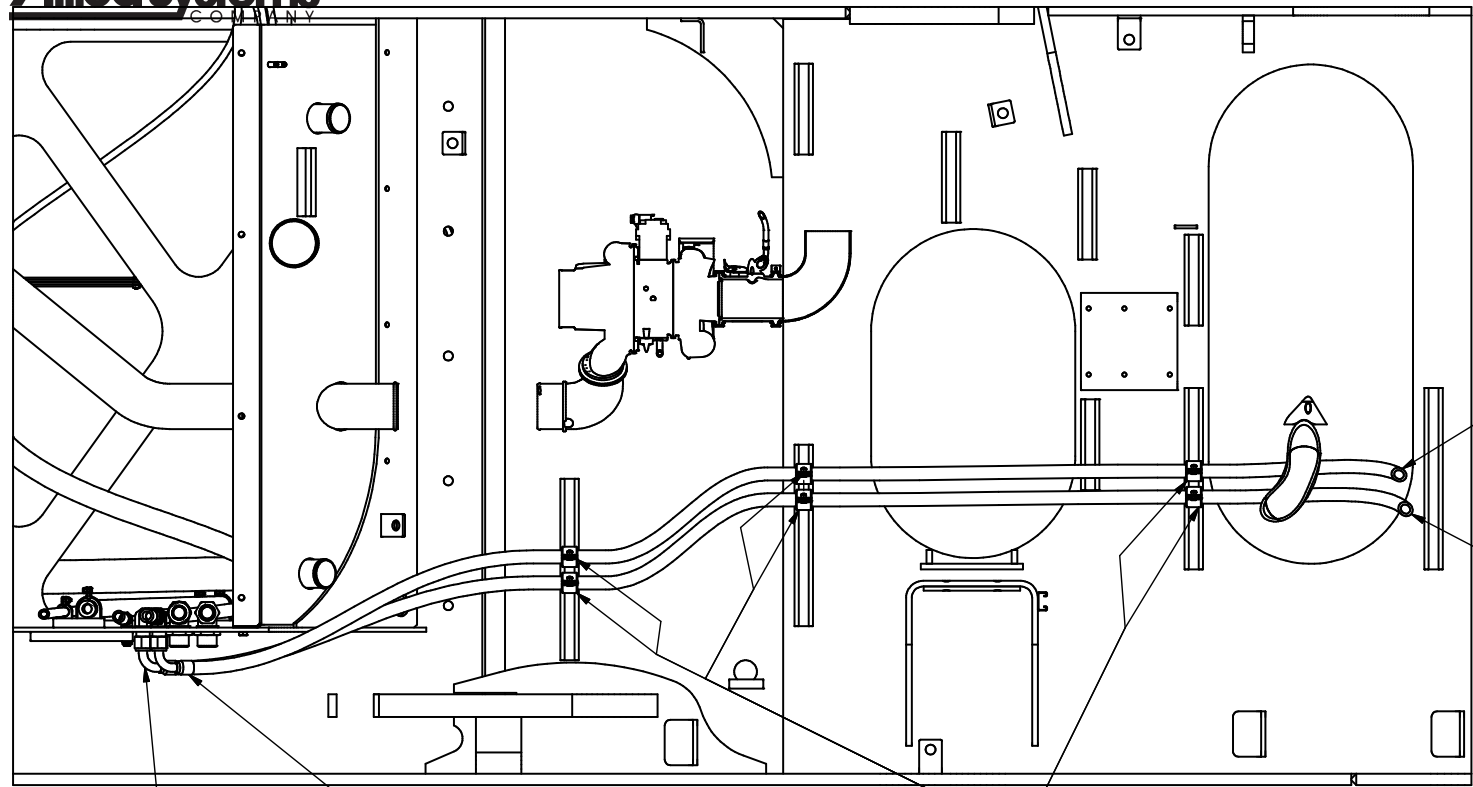
NOTES:

- 1 SEE POWER UNIT INSTL FOR CONTINUATION OF PLUMBING.
- 2 SEE LH COOLING PACKAGE INSTL FOR CONTINUATION OF PLUMBING.
- 3 SEE RH COOLING PACKAGE INSTL FOR CONTINUATION OF PLUMBING.

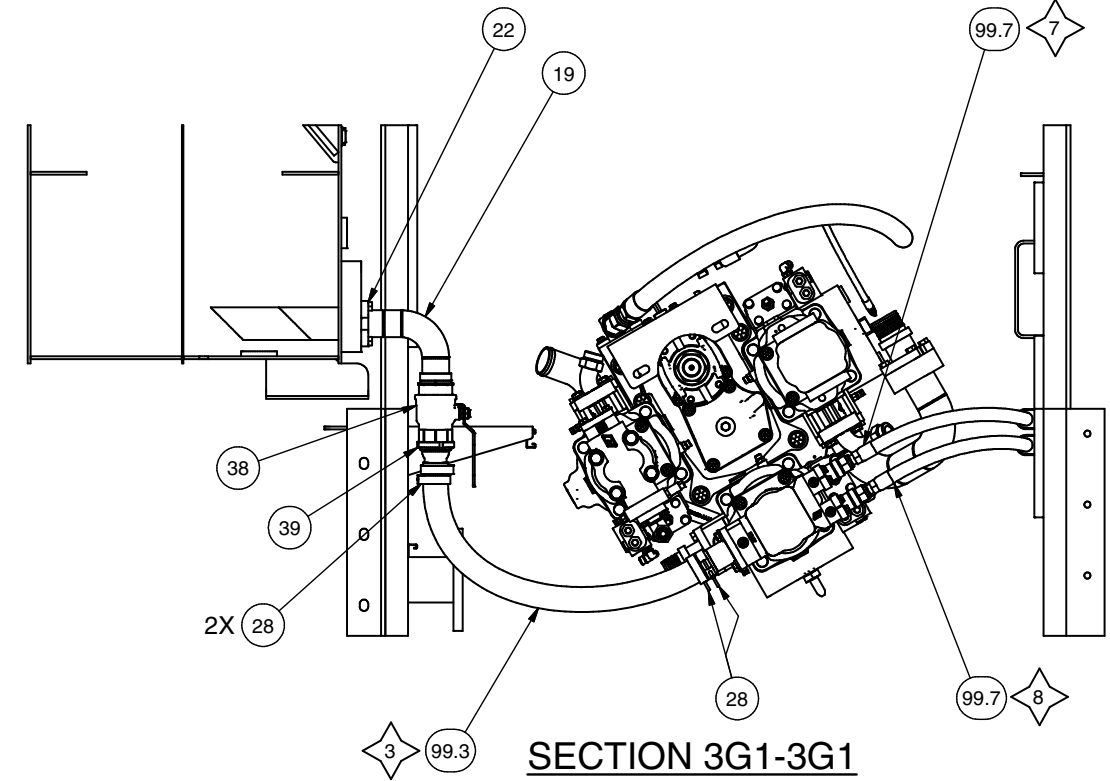
Cooling Package Installation



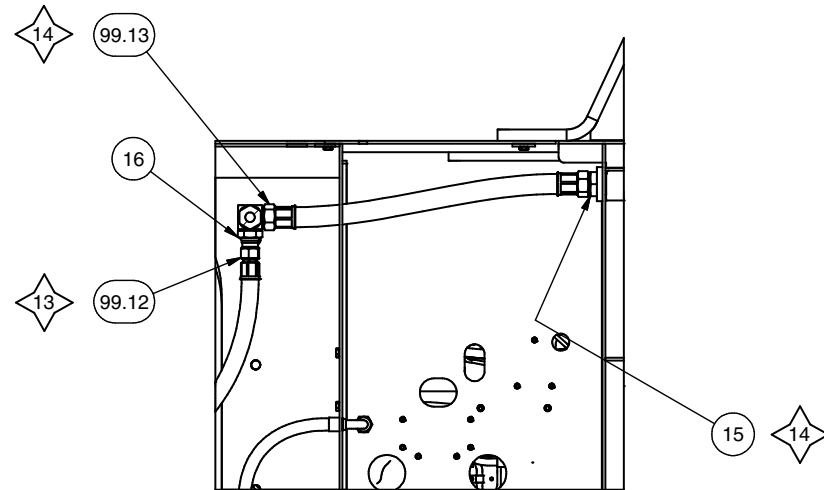




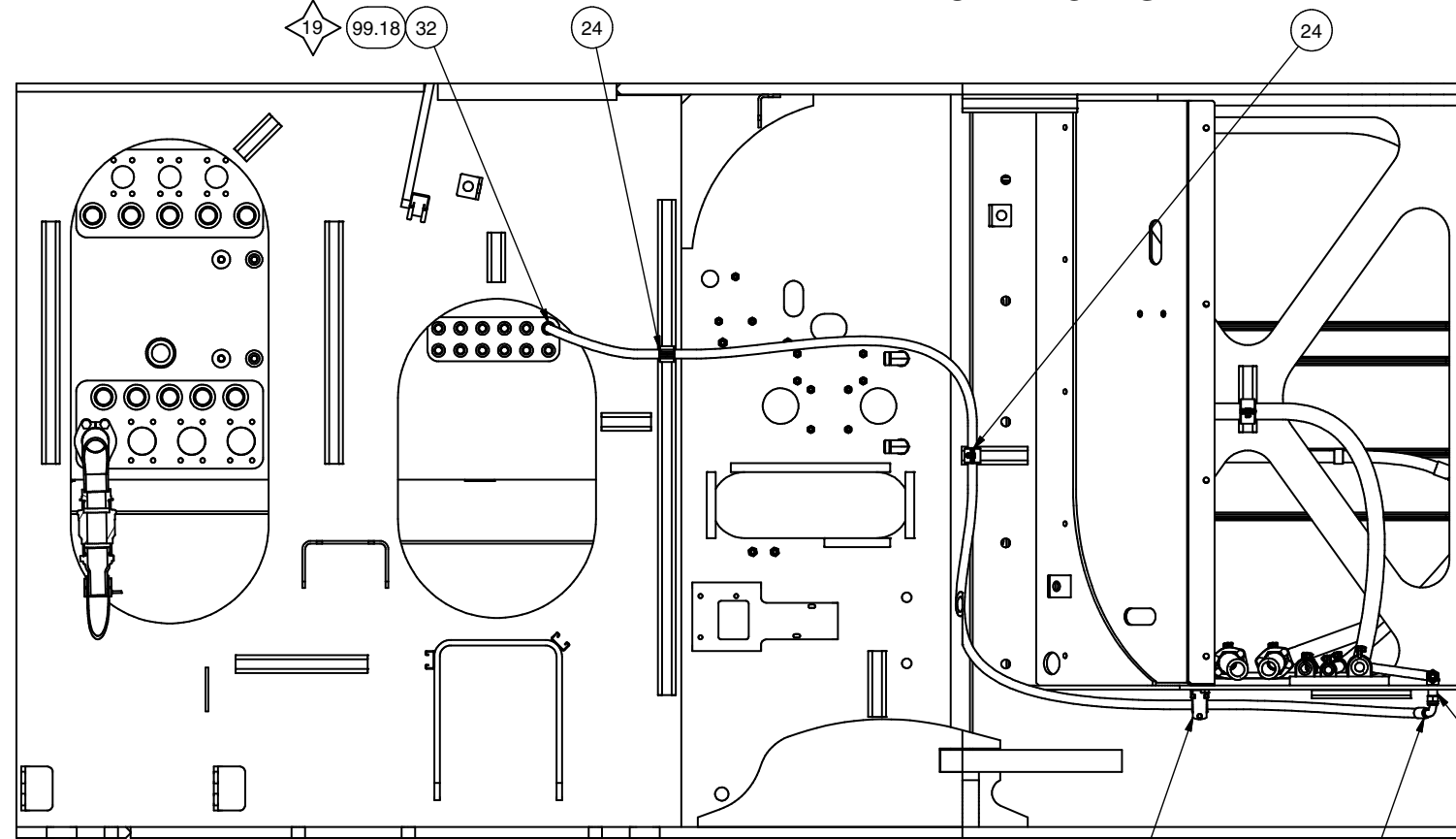
SECTION 3F1-3F1
FAN DRIVE SUPPLY LINE INSTL



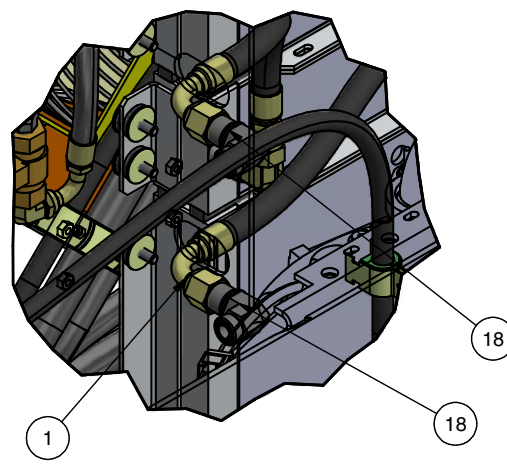
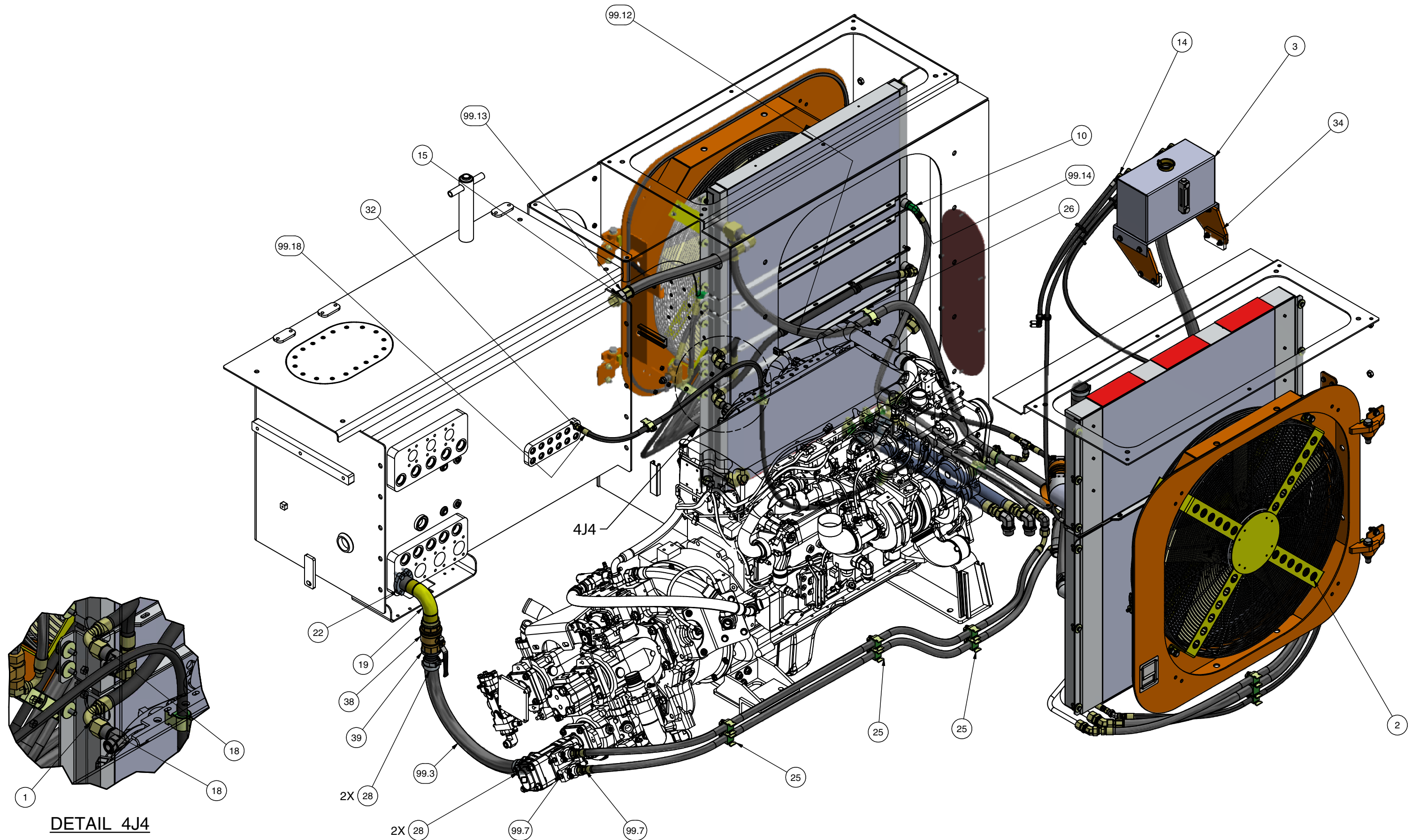
SECTION 3G1-3G1
FAN DRIVE PUMP
PLUMBING INSTL



SECTION 3E1-3E1
HYD. COOLER RETURN
TO TANK INSTL



SECTION 3H1-3H1
FAN DRIVE PUMP DRAIN
& SUCTION LINE INSTL
(POWER UNIT REMOVED FOR CLARITY)



DETAIL 4J4