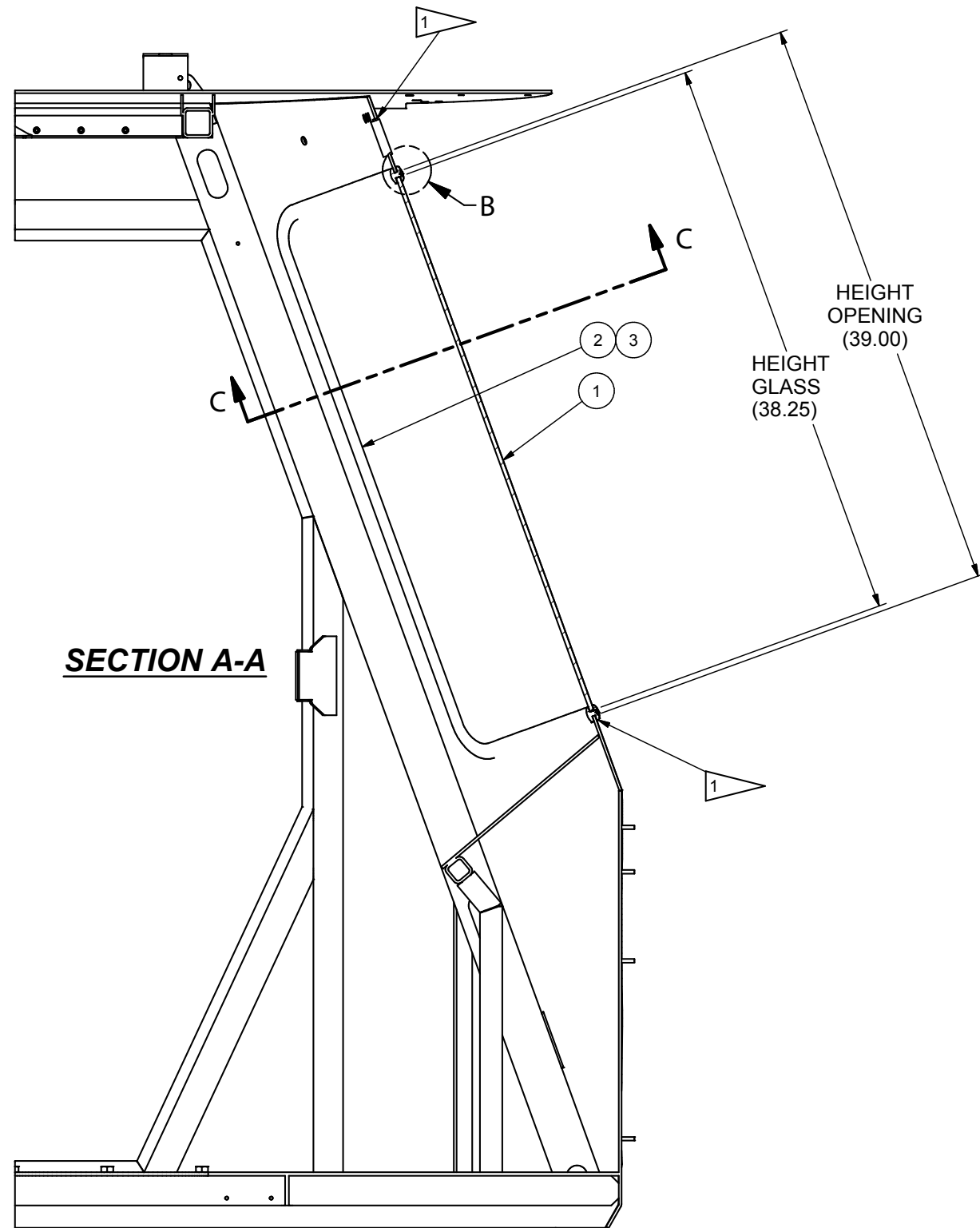
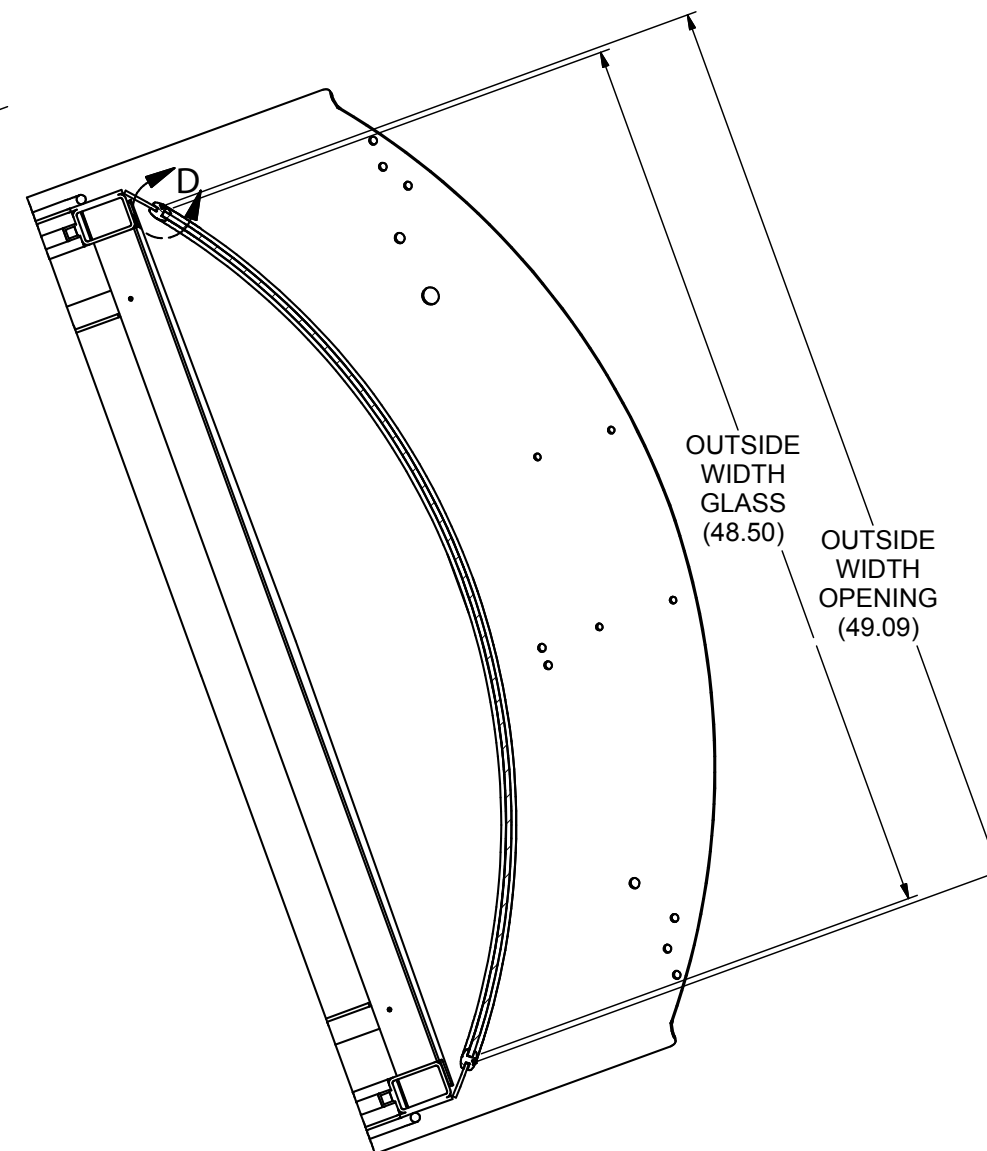
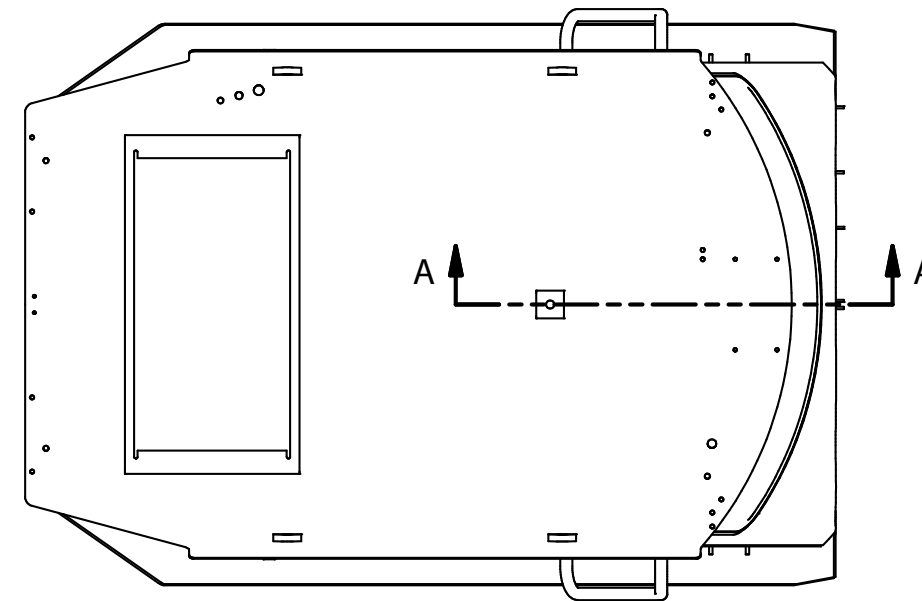

Window Installation

Window Installation

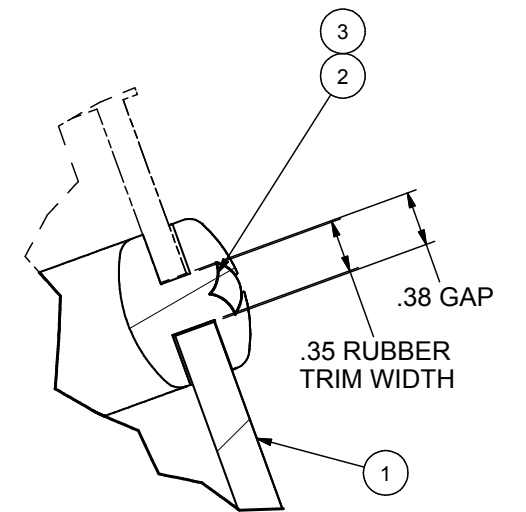
Item	Part No.	Qty	Description	Item	Part No.	Qty	Description
	600135		Window Installation				
1	586386	1	. Glass, Curved Safety				
2	258638	25'	. Molding, Self Lock				
3	203037	25'	. Molding, Locking Key				
4	600136	1	. Glass, LH Rear				
5	586621	1	. Glass, Rear - Center				
6	600137	1	. Glass, RH Rear				



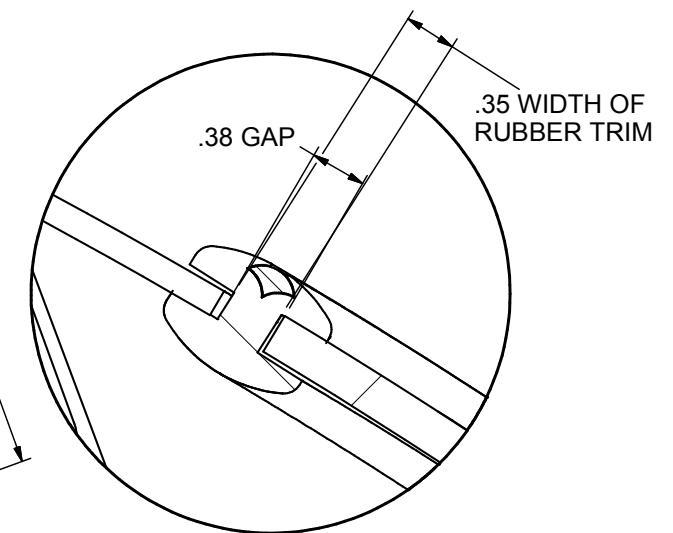
SECTION A-A



SECTION C-C

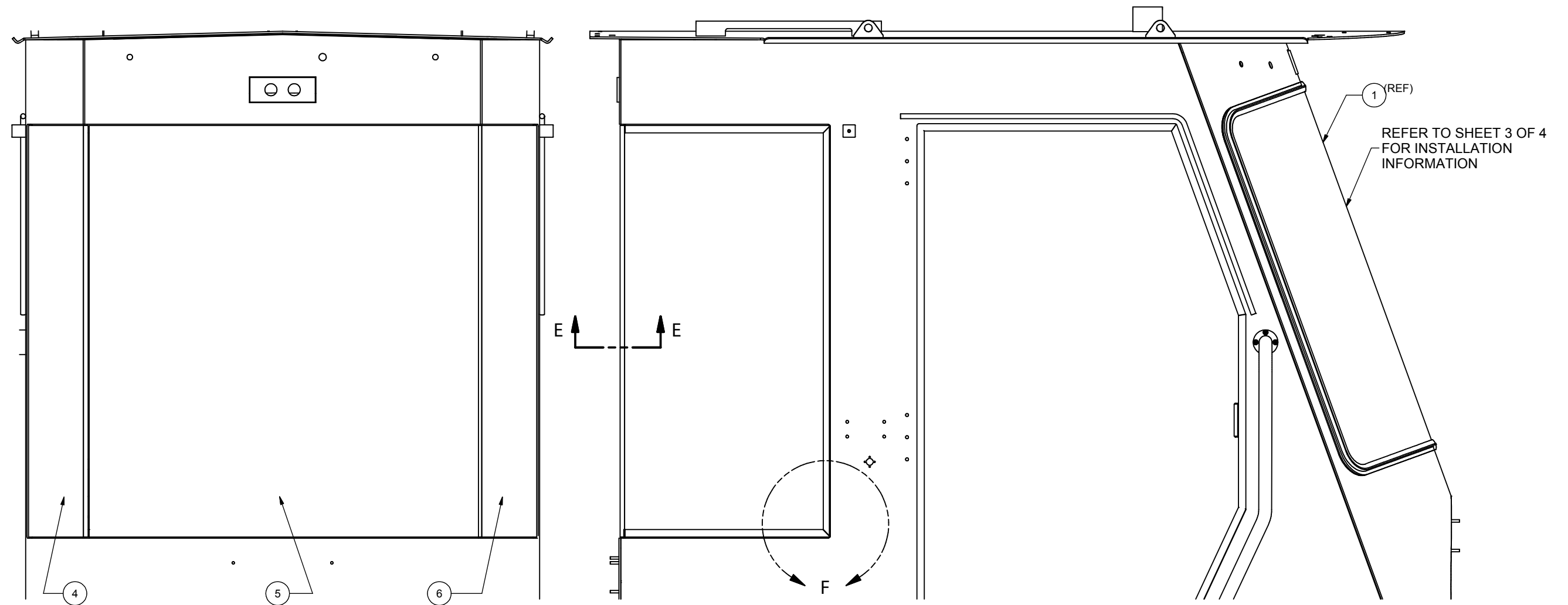


DETAIL B



DETAIL D

1 LOCATE SEAM IN SEAL, ITEM 2, AT THE CENTER TOP OF WINDOW BELOW THE OVERHANG OF THE ROOF. CUT MATERIAL SO THERE IS APPROXIMATELY 1 3/4" (1/8" PER FOOT OF PERIMETER OPENING) OVERLAP SO THAT BOTH ENDS ARE FORCED INTO PLACE, PROVIDING PRESSURE FOR A TIGHT FIT. LOCATE SEAM ON LOCK KEY, ITEM 3, AT THE CENTER BOTTOM OF WINDOW.



CLEAR RTV SILICONE SEALER APPLIED TO CORNER JOINTS

(.28) TYPICAL CORNER ALLOWANCE FOR RTV SILICONE BEAD CORNER

(.13) TYPICAL BED THICKNESS ALLOWANCE FOR URETHANE GLASS ADHESIVE

(.13) TYP

.13 TYP

NOTE:

PREPARATION OF GLASS (MASK AND PRIME), ADHESIVE APPLICATION, INSTALLATION AND CORNER SEALING TO BE DONE BY GLASS VENDOR;

SECTION E-E

DETAIL F

CLEAR RTV SILICONE SEALER APPLIED TO CORNER JOINTS