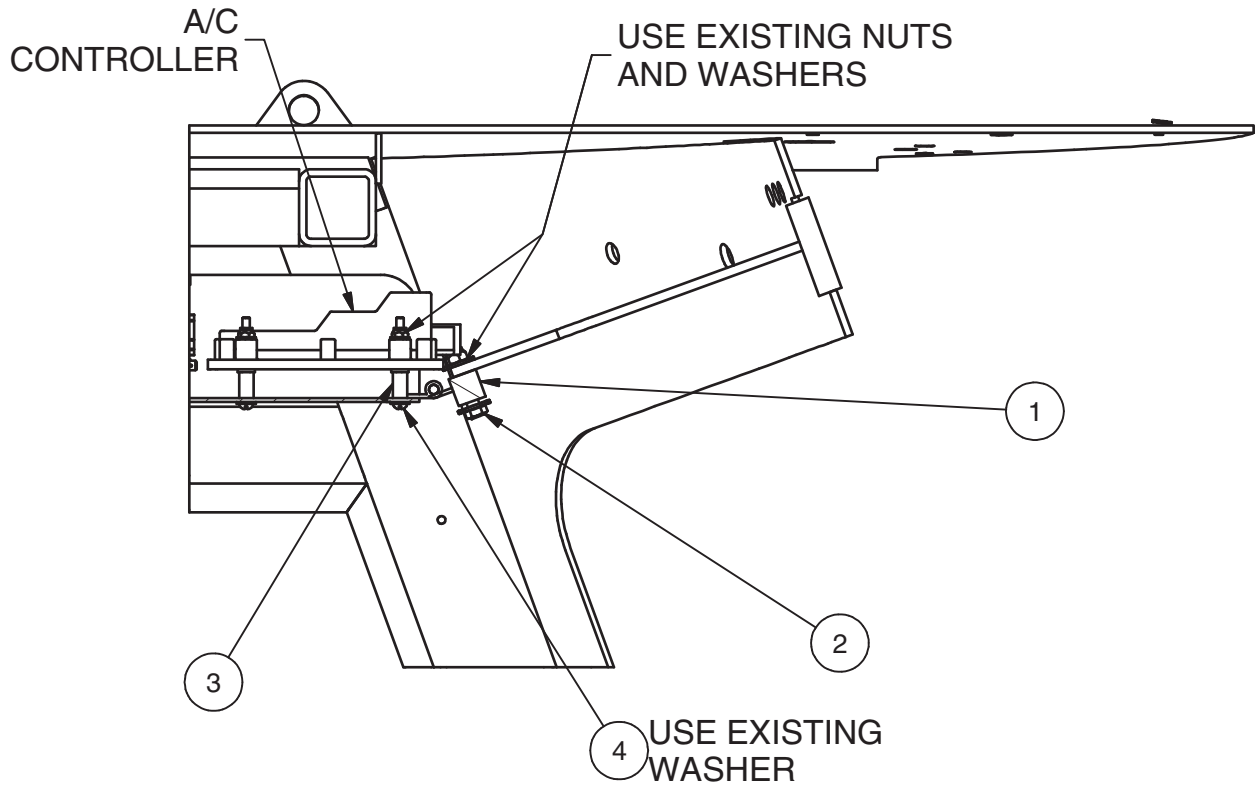
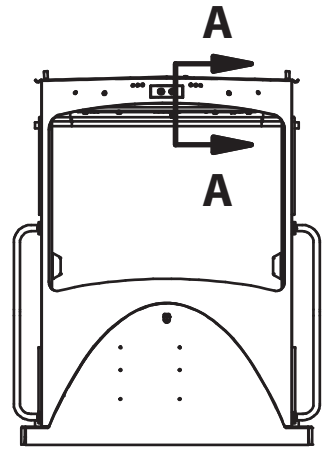


Console Modification Kit



SECTION A-A



THE OVER HEAD CONSOLE REQUIRES A SPACER BETWEEN THE HINGES AND THE MOUNTING PLATE. THE A/C CONTROLLER REQUIRES SPACERS TO RAISE IT TO MISS THE MOUNTING PLATE.

Item	Part No.	Qty	Description	Item	Part No.	Qty	Description
	600083		Console Modification Kit				
1	600084	1	. Spacer	3	600082	4	. Spacer
2	R13811017	4	. Capscrew	4	R13809466	4	. Screw
				5	246037	A/R	. Treadlock