

---

Converter

# Converter

Item	Part No.	Qty	Description	Item	Part No.	Qty	Description
	<b>600046</b>		<b>Converter</b>				
1	*a 203110	1	. Cup-Bearing	51	18589W	3	. Capscrew
1a	*a 599581	1	. O-Ring	52	216533	1	. Sleeve-Pump Drive
2	*a 212434	1	. Cone-Bearing	53	*a 216535	3	. Snap Ring
3	*a 599582	1	. Spacer-Output Shaft	54	*a 505499	1	. Gasket
4	222323	1	. Gear-Output 34T	55	600047	1	. Pump Assembly
5	599573	1	. Assembly-Tube Lube	56	205124	4	. Nut
6	599583	1	. Shaft-Output	57	200604	4	. Lockwasher
7	*a 212434	1	. Cone-Bearing	58	219663	4	. Stud
8	*a 203110	1	. Cup-Bearing	59	16085W	6	. Capscrew
9	*a 236877	1	. O-Ring	60	200604	6	. Lockwasher
10	*a 212443	AR	. Shim-.004	61	216532	3	. Pump Drive Bearing Carrier
10a	*a 212444	AR	. Shim-.007	62	212358	1	. Ball
10b	*a 212445	AR	. Shim-.010	63	599569	1	. Sleeve-Stator Support
11	*a 212250	1	. Oil Seal	64	*c 599570	1	. Assembly-Stator Supp & Sleeve
12	*b 212442	1	. Bearing Cap & Oil Seal Assembly	65	237295	8	. Capscrew
13	212252	1	. Flange-Companion 8.5C	67	*a 242393	1	. Ring-Piston
14	*a 236880	1	. O-Ring	68	*a 216577	1	. Ring-Snap
15	*a 212254	1	. Washer	69	599563	1	. Gear-Pump Drive 54T
16	218486	1	. Nut-Idler Shaft	70	*a 216579	1	. Converter Impeller Hub Oil Seal
17	205124	4	. Nut	71	599571	1	. Baffle-Oil
18	200604	4	. Lockwasher	72	*a 599572	1	. O-Ring
19	241146	4	. Axle Housing Adaptor To Case Stud	73	*a 233079	8	. Screw-Self Lock
20	599584	1	. Cover-Housing	74	*a 233082	1	. Ring-Impeller Hub Screw Backing
21	16805W	10	. Capscrew	75	599565	1	. Impeller 16"
22	201567	10	. Lockwasher	76	*a 87287W	1	. O-Ring
22a	*a 599585	1	. Gasket-Cover	77	599566	1	. Hub-Impeller
23	209139	2	. Fitting-Plug	78	*a 212506	1	. Bearing-Impeller Hub
24	*d 247461	1	. Pressure Regulating Valve Assembly	79	*a 212527	1	. Snap Ring
25	*a 599589	1	. O-Ring	80	212507	1	. Spacer-Reaction Member
26	*a 242390	1	. Ring-Piston	81	*a 212526	1	. Pin-Dowel
27	*a 212470	1	. Tapered Roller Bearing Cup	82	599567	1	. Member-Reaction 16"
28	*a 212469	1	. Tapered Roller Bearing Cone	83	*a 12940W	1	. Snap Ring
29	599579	1	. Shaft-Turbine	94	212524	1	. Turbine Hub
30	222324	1	. Gear 38T	95	*a 214760	1	. O-Ring
31	599586	1	. Housing-Drop Box	96	599568	1	. Turbine 16"
32	*a 203110	1	. Cup-Bearing	97	*a 233084	1	. Ring-Turbine Hub Screw Backing
33	599564	3	. Pump Drive Coupling	98	*a 233081	8	. Capscrew
34	*a 236882	1	. O-Ring	99	223089	14	. Capscrew
35	*a 212482	AR	. Shim-.004	100	200603	14	. Lockwasher
35a	*a 212483	AR	. Shim-.007	101	256300	1	. Ring-Backing
35b	*a 212484	AR	. Shim-.010	104	257363	1	. Cap-Impeller Cover
36	*a R13805270	1	. O-Ring	105	*a 599580	1	. Snap Ring
37	599590	1	. Tube-Lube	106	*a 212511	1	. Snap Ring
38	*a R13805270	1	. O-Ring	108	240541	1	. Retainer-Turbine Hub
39	212455	1	. Cap-Turbine Shaft Bearing	109	212523	2	. Dowel Pin
40	209916	1	. Pipe Plug	111	*a 251627	1	. O-Ring
41	205124	4	. Nut	112	*a 212521	1	. Ball Bearing
42	200604	4	. Lockwasher	113	134328W	32	. Capscrew
43	241146	4	. Stud	114	200603	32	. Lockwasher
44	*a 212434	1	. Cone-Bearing	115	593106	1	. Cover-Impeller
44a	599587	6	. Capscrew	116	209405	1	. Fitting
44b	*a 599588	5	. O-Ring	117	16836W	1	. Capscrew
44c	200608	6	. Lockwasher	118	201566	1	. Lockwasher
45	599575	3	. Fitting-Plug	119	599576	1	. Clip-Closed
46	599574	1	. Housing-Converter	120	245075	1	. Plug-Screw Type
47	*a 216530	3	. Snap Ring	121	*a R13803624	1	. O-Ring
48	*a 599577	3	. Bearing-Ball	122	245442	1	. Bushing-Adjusting Sensor
49	599578	3	. Gear-Oil Pump Driven 51T				
50	200604	3	. Lockwasher				

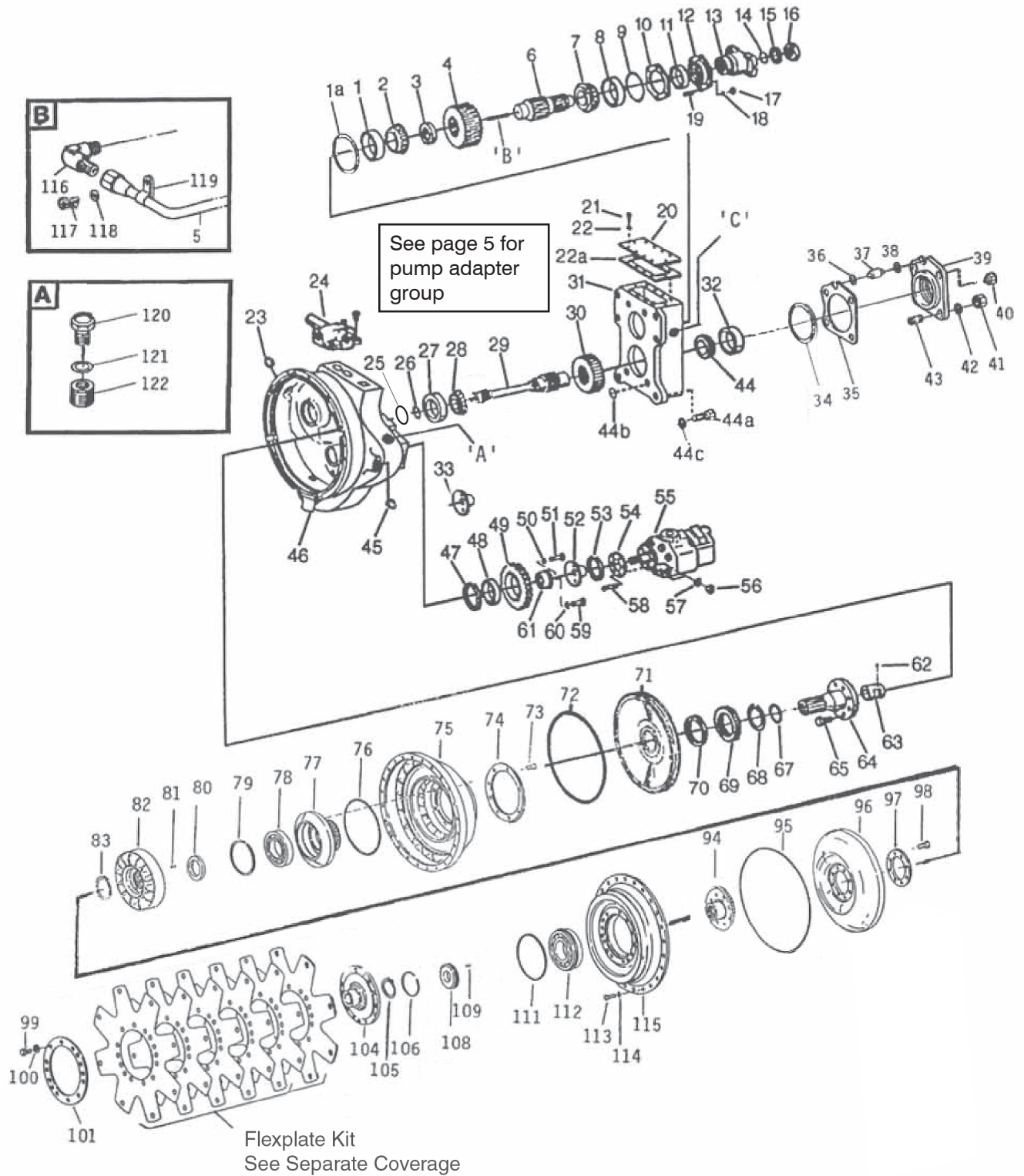
\*a Included in Service Kit 599602

\*b Includes item 11

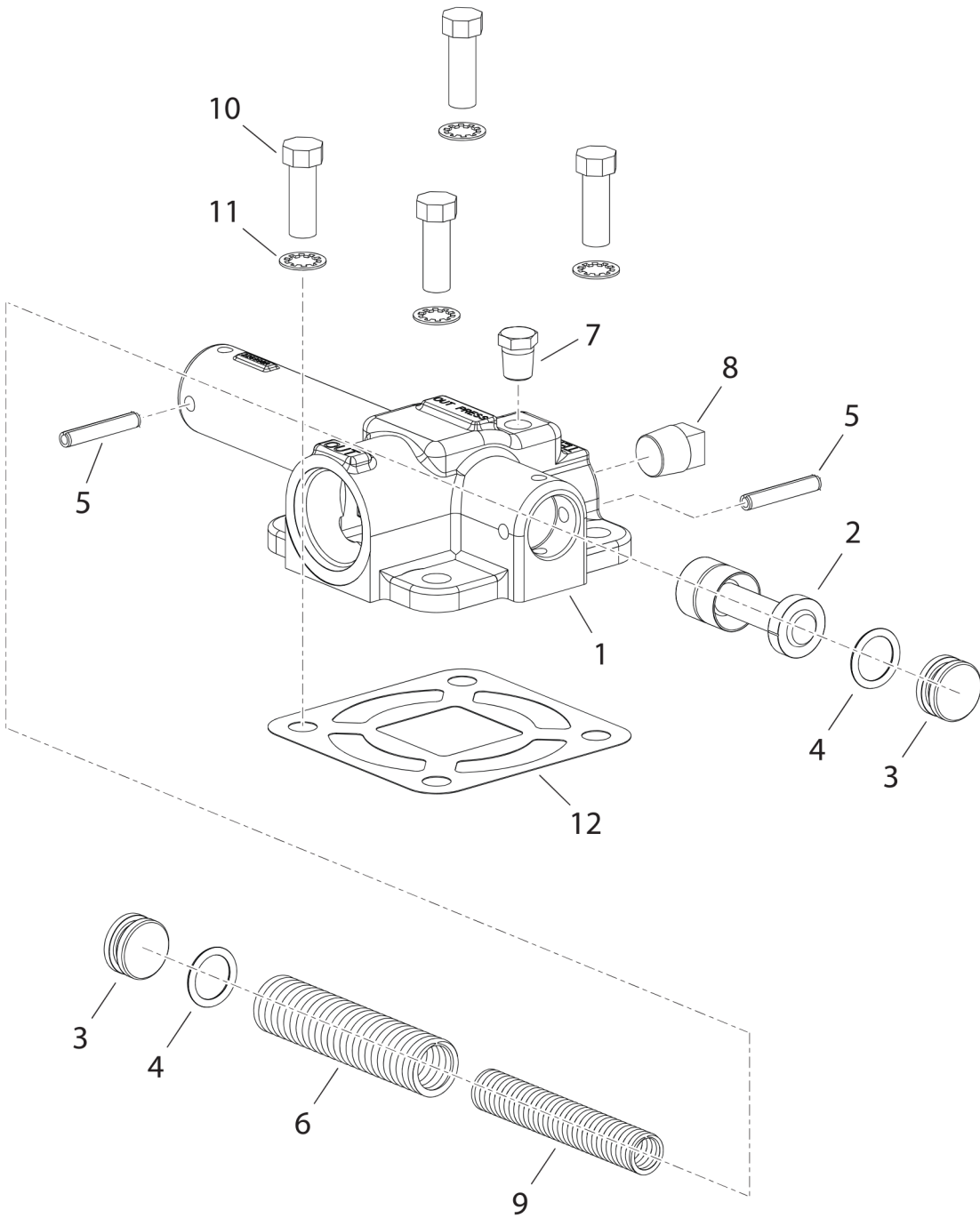
\*c Includes items 62 and 63

\*d See Page 4

# Converter



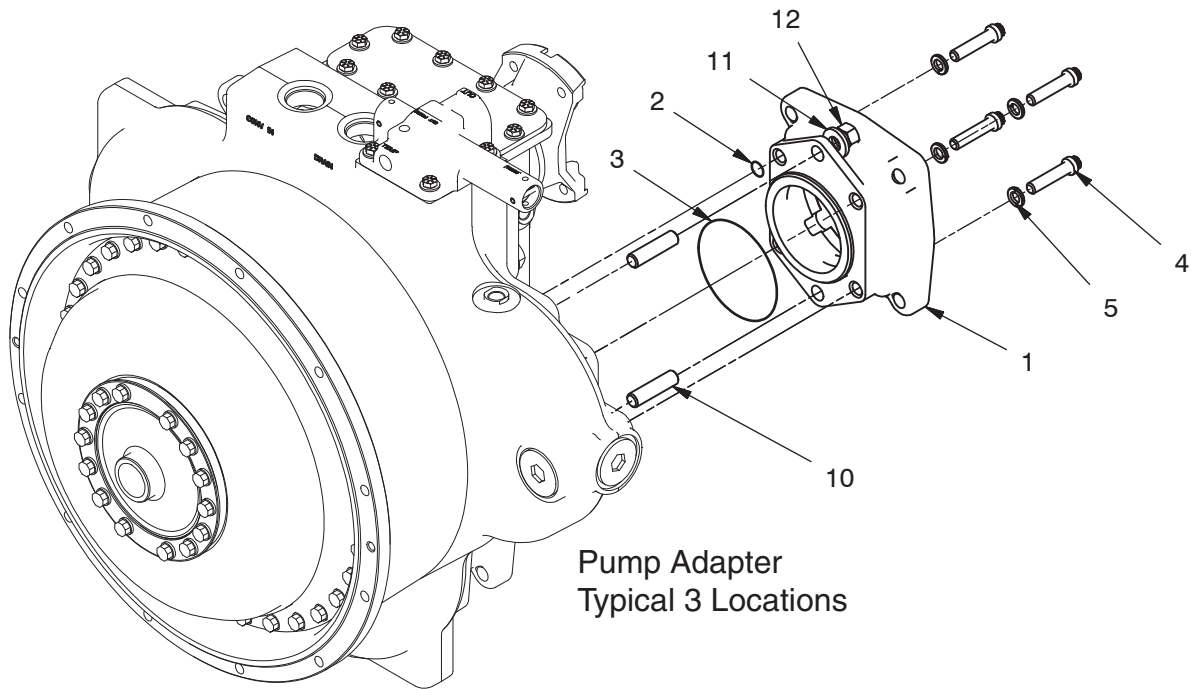
# Pressure Regulating Valve



Item	Part No.	Qty	Description	Item	Part No.	Qty	Description
<b>1</b>	<b>247461</b>	<b>1</b>	<b>Pressure Regulating Valve Assembly</b>	8	216672	1	. Pipe Plug
2	212551	1	. Regulating Valve Piston	9	*a 212553	1	. Spring-Regulating
3	212546	2	. Stop-Piston	10	223089	4	. Capscrew
4	*a 257364	2	. O-Ring	11	599591	4	. Lockwasher
5	212548	2	. Roll-Pin	12	*a 212552	1	. Gasket
6	*a 212547	1	. Spring-Pressure				
7	209512	1	. Pipe Plug				

\*a Included in Service Kit 599602

# Pump Adapter Group



Pump Adapter  
Typical 3 Locations

Item	Part No.	Qty	Description	Item	Part No.	Qty	Description
		<b>3</b>	<b>Pump Adapter Group</b>				
1	599595	1	. Assembly-Adaptor And O-Ring	5	200604	4	. Lockwasher
2	*a R13803623	4	. O-Ring	10	599600	2	. Stud
3	*a 599596	1	. O-Ring	11	00103325	2	. Lockwasher
4	R13804312	4	. Capscrew	12	599601	2	. Nut

\*a Included in Service Kit 599602