

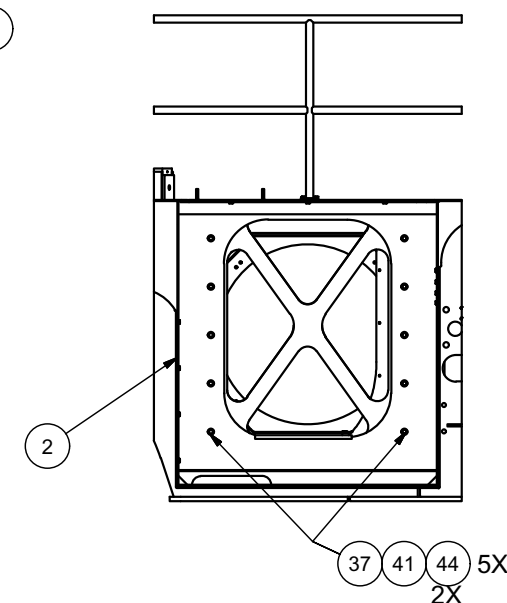
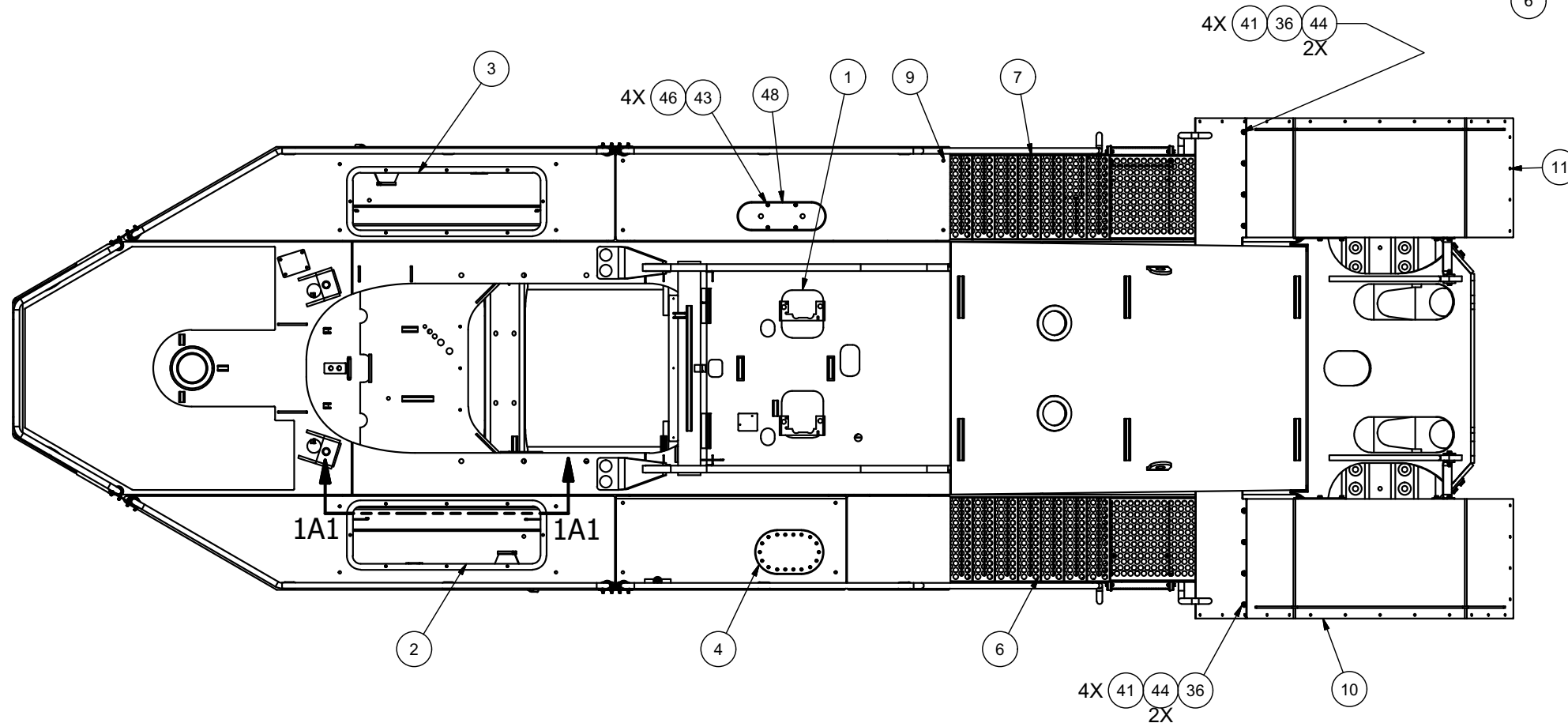
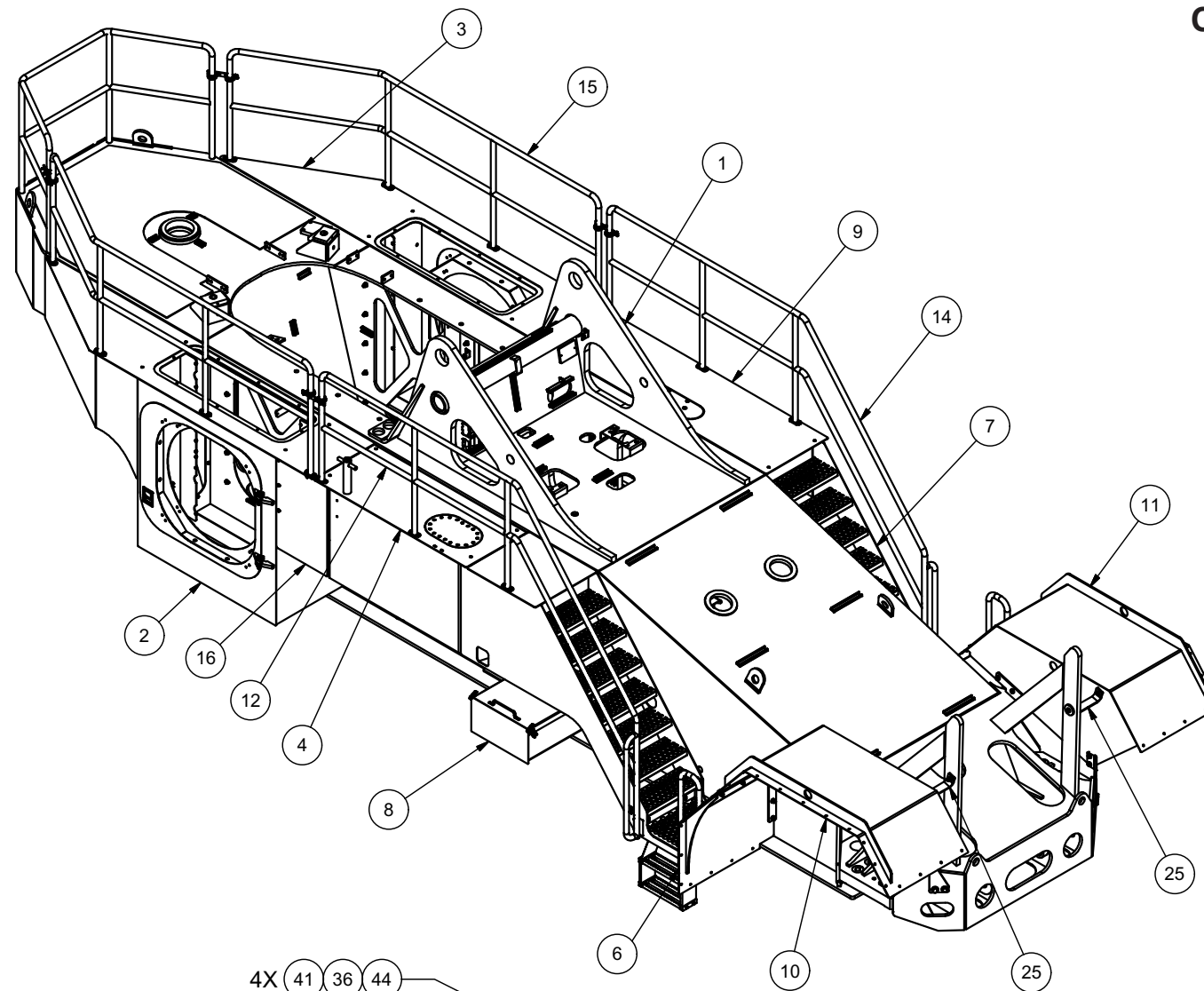
---

Chassis Installation, L120

## Chassis Installation, L120

Item	Part No.	Qty	Description	Item	Part No.	Qty	Description
	<b>600025</b>		<b>Chassis Installation, L120</b>				
1	600725	1	. Chassis Weldment	24	600783	1	. Bracket, RH Fender Mount
2	* 600777	1	. Cooling Box, RH	25	600785	2	. Bracket, Fender Mount
3	* 600778	1	. Cooling Box, LH	26	596063	2	. Plate, Washer
4	* 600265	1	. Hydraulic Tank Assembly	29	598566	8	. U-Bolt, Vibration Damping
5	* 598459	1	. Fuel Tank Assembly	30	598567	4	. Plate, Handrail Clamp Mount
6	600352	1	. Stair Weldment, RH	31	293628W	8	. Capscrew
7	598461	1	. Stair Weldment, LH	32	293629W	12	. Capscrew
8	* 600633	1	. Battery Box Assembly	34	R13811213	16	. Capscrew
9	600353	1	. Walkway Weldment, LH	35	241023	23	. Capscrew
10	600779	1	. Fender Weldment, RH	36	Y19C-M1650	43	. Capscrew
11	600780	1	. Fender Weldment, LH	37	Y19C-M1660	23	. Capscrew
12	600356	1	. Handrail Weldment, RH	38	Y19C-M16100	2	. Capscrew
13	600781	1	. Handrail Weldment, RH Rear	39	274044W	4	. Capscrew
14	600357	1	. Handrail Weldment, LH	40	302401W	56	. Locknut
15	600782	1	. Handrail Weldment, LH Rear	41	302404W	60	. Locknut
16	598526	1	. Plate, Filters Cover	42	302406W	4	. Locknut
17	598527	1	. Plate, Fire Supp Tank Cover	43	221767W	124	. Washer
18	594937	4	. Weldment, Step	44	234271	151	. Washer
19	598517-12	2	. Trim, Hatch Seal	45	221780W	8	. Washer
20	598515	4	. Plate, Step Mount	46	236805	4	. Capscrew
21	594935	8	. Plate, Clamp	47	R13811210	28	. Capscrew
22	594938	4	. Belt, Support	48	603749	1	. Access Cover Plate
23	600784	1	. Bracket, LH Fender Mount				

\* See Separate Coverage



**SECTION 1A1-1A1**  
INSTL TYP ITEMS 2 & 3.

