
Auto Lube System, 2WD Chassis

Auto Lube System, 2WD Chassis

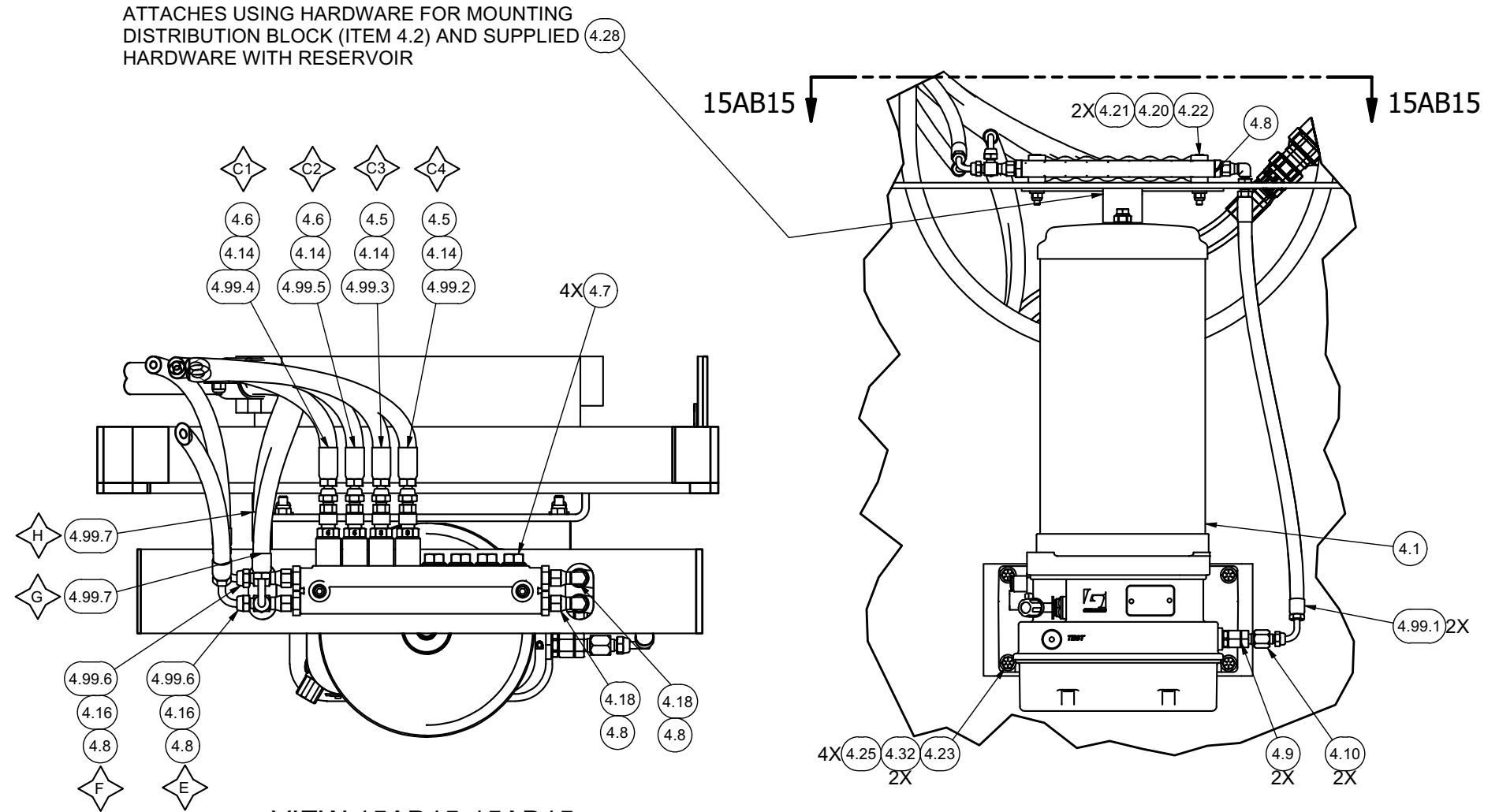
Item	Part No.	Qty	Description	Item	Part No.	Qty	Description
	599721		Auto Lube System 2WD Chassis				
4.1	* 598039	1	. Pump & Reservoir Assembly	4.26	231250	2	. Clamp
4.2	* 592591	1	. Distribution Block, 8 Port	4.27	251172	2	. Fitting
4.3	* 592590	1	. Distribution Block, 6 Port	4.28	598980	1	. Bracket, Reservoir Support
4.4	* 592525	5	. Metering Unit No. 4	4.29	16338W	2	. Capscrew
4.5	* 592527	2	. Metering Unit No. 8	4.30	209698	2	. Clamp
4.6	* 592526	2	. Metering Unit No. 6	4.31	R13803057	2	. Clip, Insulated
4.7	* 592554	5	. Plug, Twin Metering	4.32	R13802914	4	. Washer
4.8	229551	6	. Fitting	4.33	R13811014	2	. Capscrew
4.9	593613	2	. Fitting	4.34	R13803042	2	. Clip, Insulated
4.10	229666	2	. Fitting	4.99	599722	1	. Kit, Hose
4.11	231248	1	. Clamp	4.99.1	237217	2	. Hose Assembly
4.12	231251	11	. Clamp	4.99.2	250442	1	. Hose Assembly
4.13	209405	4	. Fitting	4.99.3	215078	1	. Hose Assembly
4.14	209750	12	. Fitting	4.99.4	240191	1	. Hose Assembly
4.15	231249	3	. Clamp	4.99.5	230879	1	. Hose Assembly
4.16	17059W	2	. Fitting	4.99.6	598773	2	. Hose Assembly
4.17	231296	7	. Clamp	4.99.7	237847	2	. Hose Assembly
4.18	212718	3	. Fitting	4.99.8	229554	1	. Hose Assembly
4.19	209790	2	. Fitting	4.99.9	591388	2	. Hose Assembly
4.20	221763W	2	. Washer	4.99.10	233716	1	. Hose Assembly
4.21	15113W	2	. Locknut	4.99.11	237686	1	. Hose Assembly
4.22	18127W	2	. Capscrew				
4.23	R13801798	4	. Capscrew				
4.25	R13811190	6	. Locknut				

* Not included with 599721. Included in Auto Lube Kit. See Separate Coverage for the contents of that kit.

NOTES:

1. PRIME ALL METERED LUBRICATION LINES PRIOR TO FINAL ASSEMBLY WITH THE DISTRIBUTION BLOCKS. THIS WILL GREATLY SHORTEN THE TIME NECESSARY TO REMOVE AIR AND DEBRIS FROM THE LINES. ENSURE ALL GREASE LINES ARE FREE OF DEBRIS.
2. INTER SUB-SYSTEM CONNECTIONS ARE IDENTIFIED AS SINGLE LETTER MARKERS. THESE CONNECTIONS ARE MADE AS A TO A, B TO B, ETC...
3. USE SPIRAL WRAP TO WRAP HOSES AT PASS THROUGHES AND ANYWHERE THERE MAY BE POTENTIAL FRICTION.

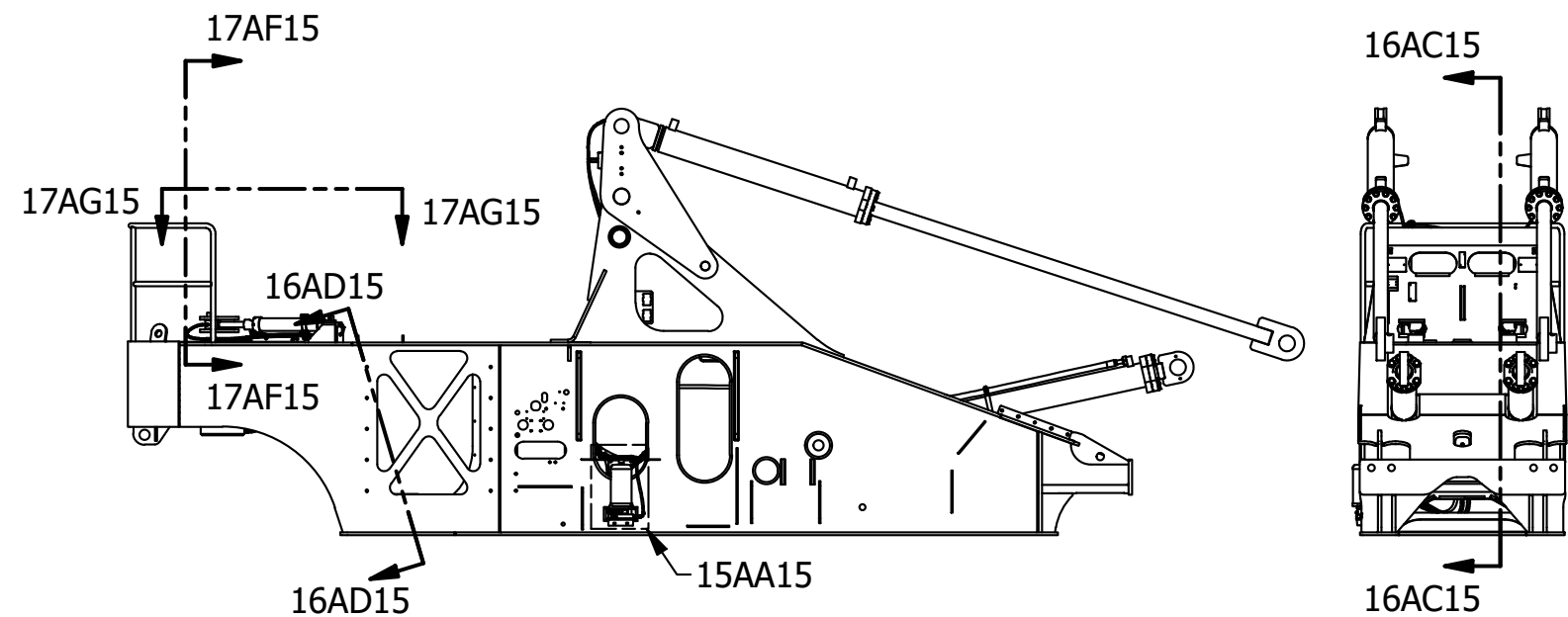
ATTACHES USING HARDWARE FOR MOUNTING DISTRIBUTION BLOCK (ITEM 4.2) AND SUPPLIED HARDWARE WITH RESERVOIR

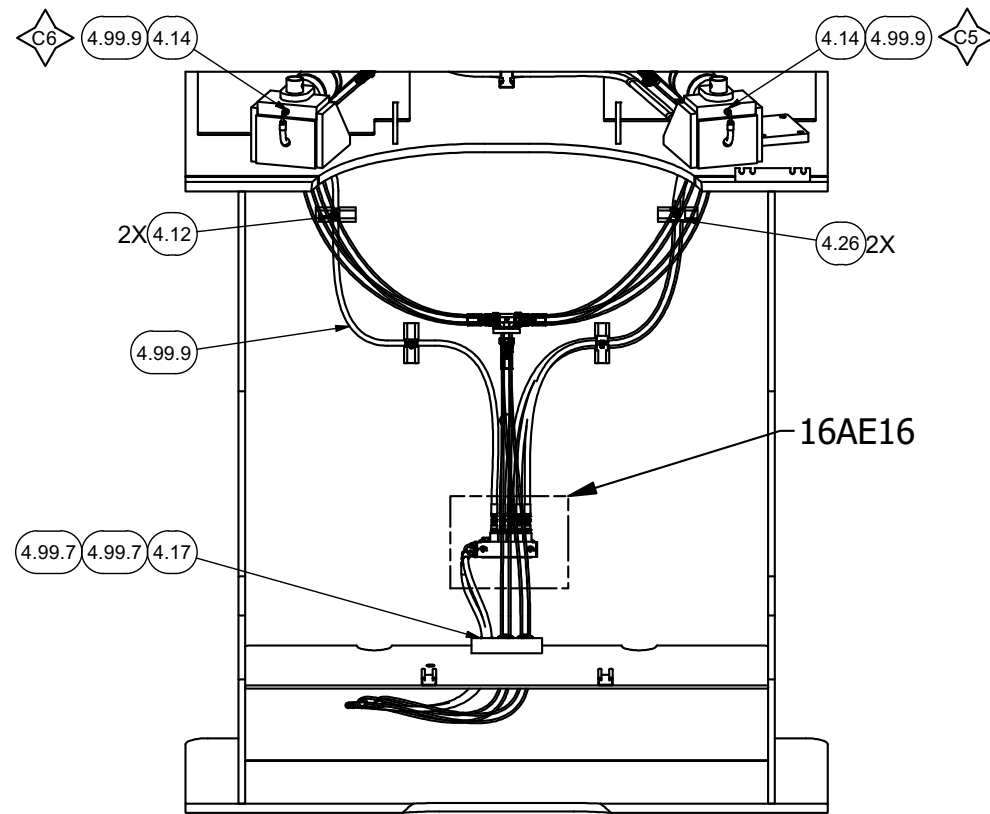


VIEW 15AB15-15AB15
CHASSIS GREASE DISTRIBUTION MANIFOLD
VIEW CROPPED FOR CLARITY

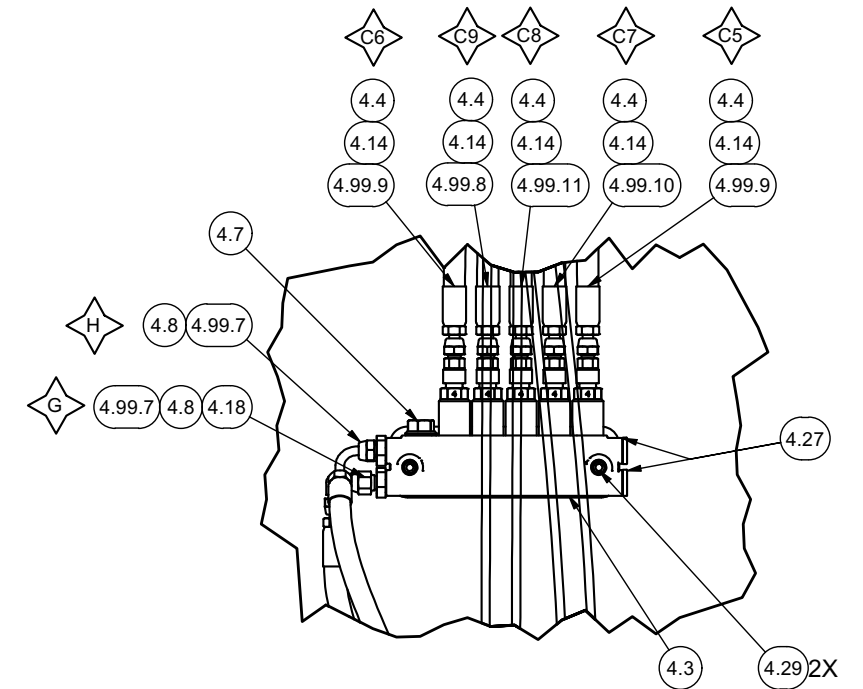
DETAIL 15AA15
GREASE RESERVOIR

CHASSIS ROUTING		
ROUTE	TO	FROM
C1	LH TILT CYL BASE	CHASSIS GREASE DISTRIBUTION MANIFOLD
C2	RH TILT CYL BASE	CHASSIS GREASE DISTRIBUTION MANIFOLD
C3	LH HOIST CYL BASE	CHASSIS GREASE DISTRIBUTION MANIFOLD
C4	RH HOIST CYL BASE	CHASSIS GREASE DISTRIBUTION MANIFOLD
C5	LH STRG CYL BASE	REAR DISTRIBUTION BLOCK
C6	RH STRG CYL BASE	REAR DISTRIBUTION BLOCK
C7	LH STRG CYL STEM	REAR DISTRIBUTION BLOCK
C8	RH STRG CYL STEM	REAR DISTRIBUTION BLOCK
C9	TAILPOST BRG HOUSING	REAR DISTRIBUTION BLOCK

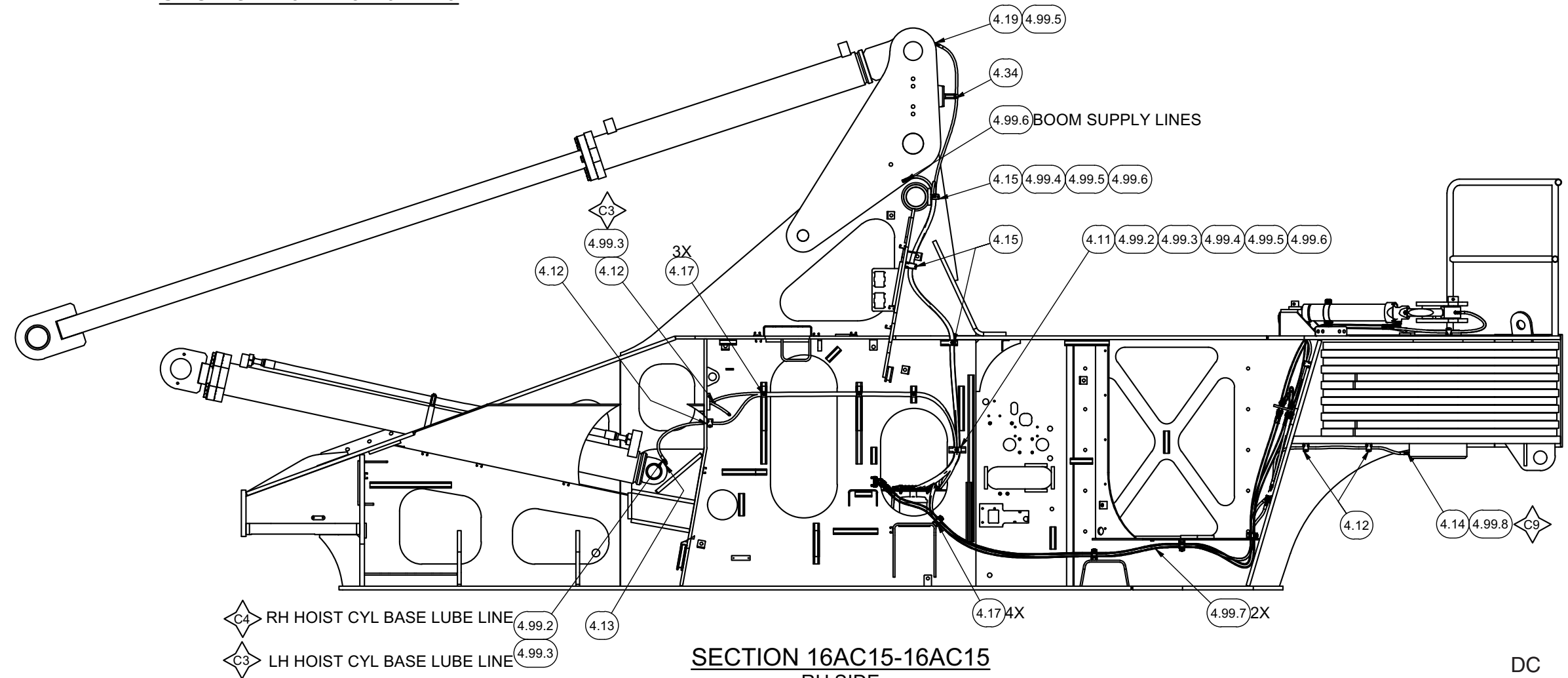




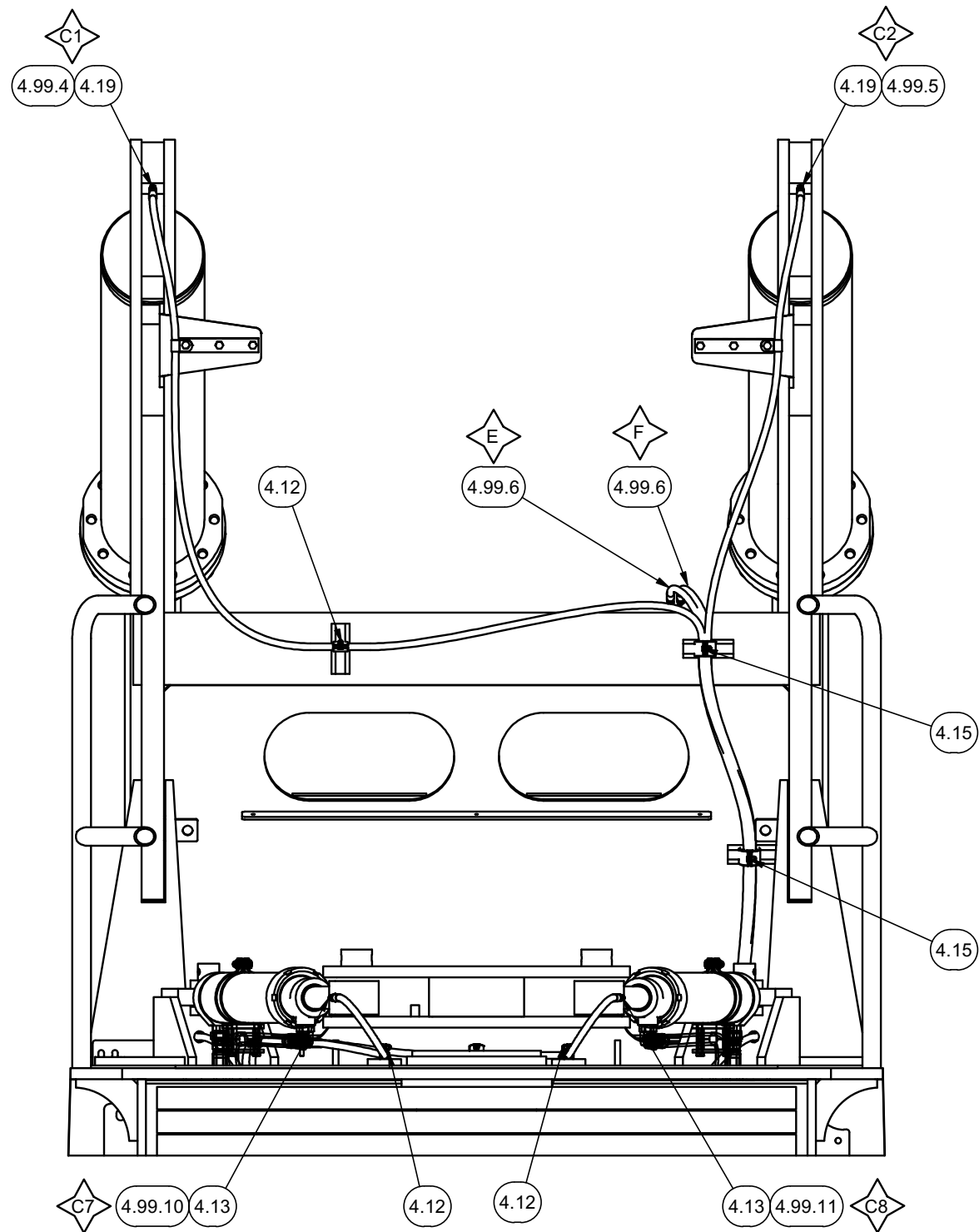
SECTION 16AD15-16AD15



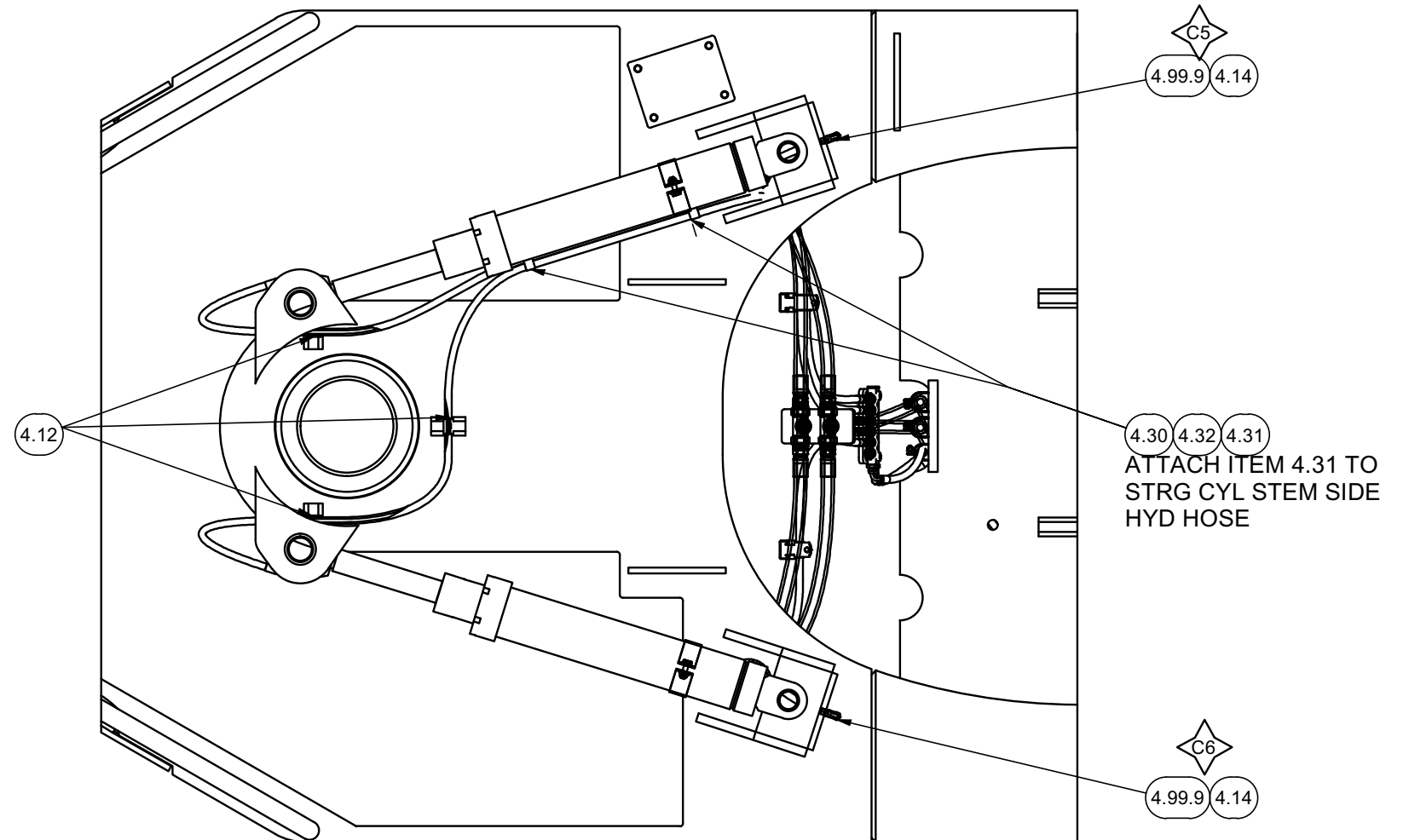
**DETAIL 16AE16
CHASSIS REAR DISTRIBUTION BLOCK**



**SECTION 16AC15-16AC15
RH SIDE**



SECTION 17AF15-17AF15



SECTION 17AG15-17AG15