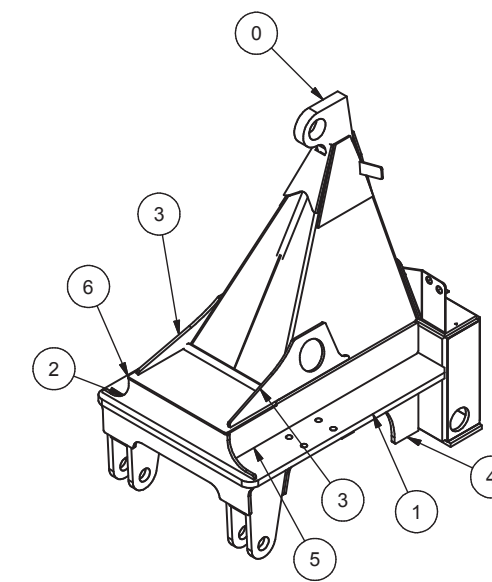
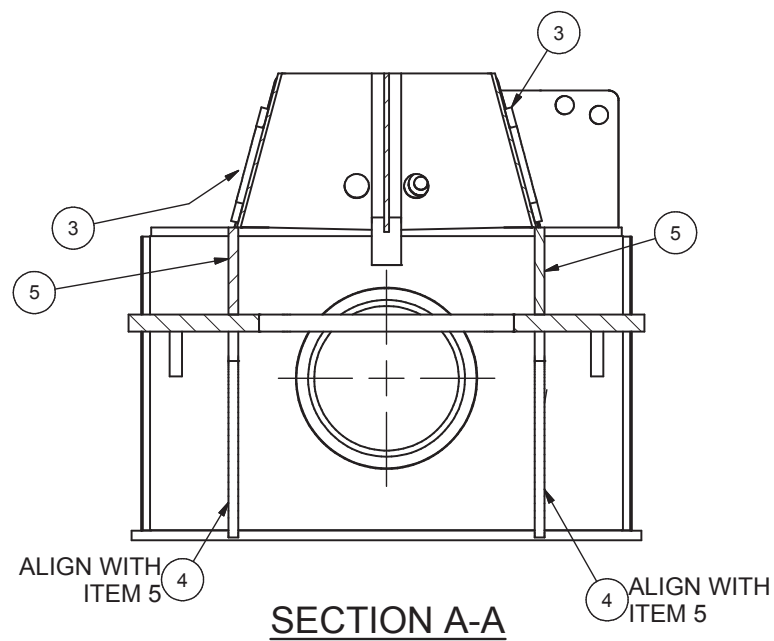
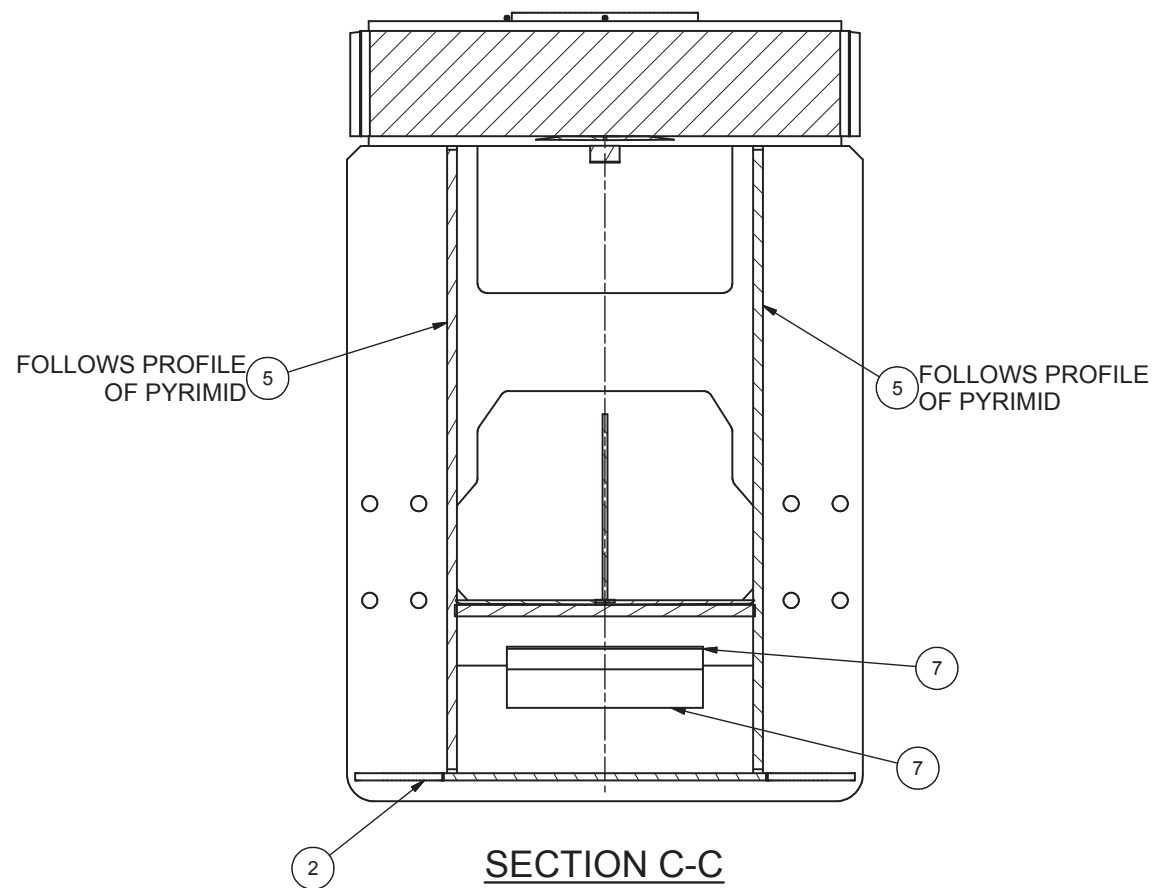
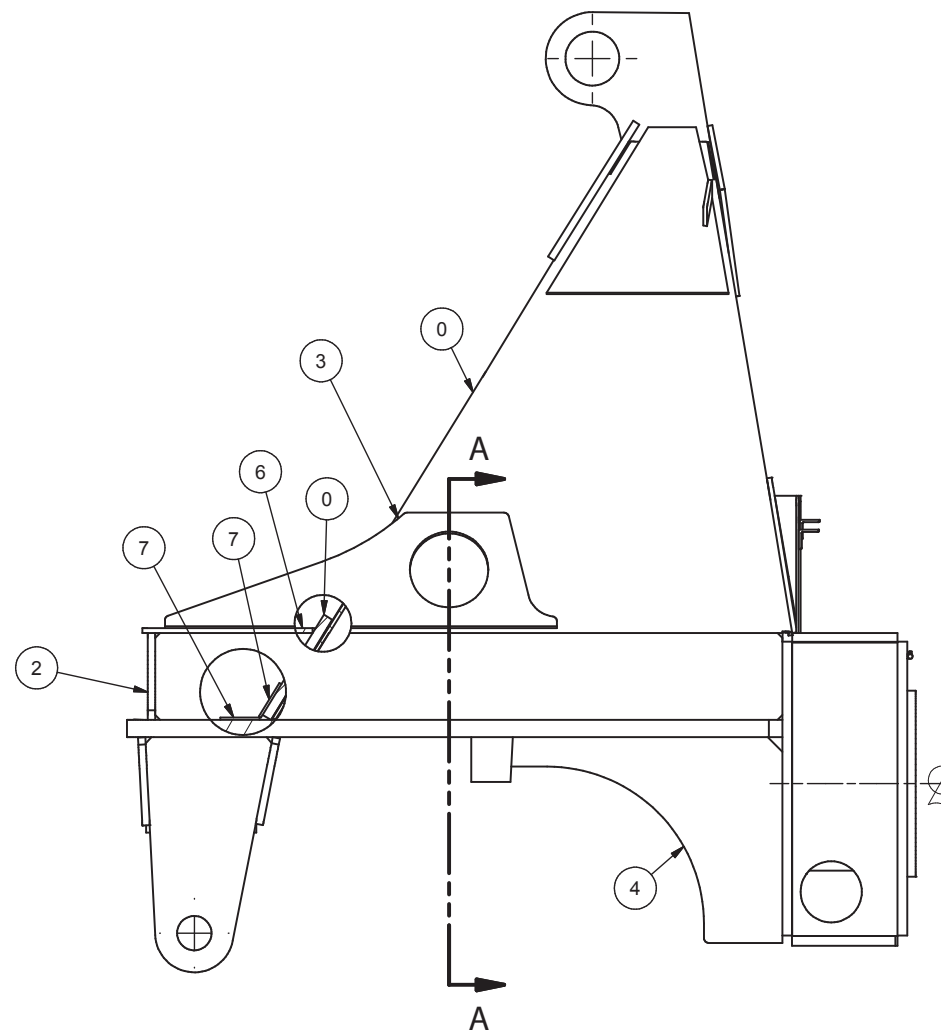
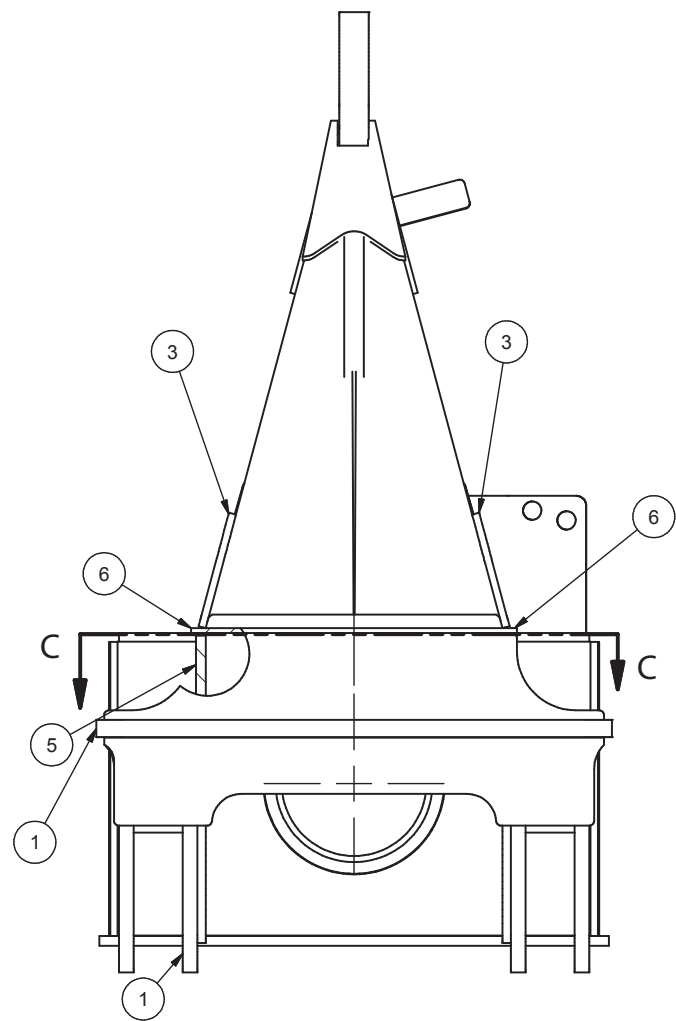

Bogie

Bogie

Item	Part No.	Qty	Description	Item	Part No.	Qty	Description
	599523		Bogie				
1	599594	1	. Axle Cradle, Sub Weldment	10	556710	6	. Stop, Axle
2	599690	1	. Plate, Stiff	11	2300478W	4	. Capscrew
3	599555	2	. Plate, Gusset, LC100	12	225851	8	. Washer
4	599551	2	. Plate, Gusset	13	R13803588	4	. Locknut
5	599548	2	. Plate, Bogie Stiff	14	599694	4	. Capscrew
6	599682	1	. Plate, Filler	15	224217	4	. Capscrew
7	Y.25VS-4.00X20.00	2	. Plate	16	221786W	16	. Washer
8	568770	2	. Link	17	R13803610	8	. Locknut
9	562389	2	. Bar,Torque	18	556784	4	. Spacer



NOTES:
2: TORQUE TO 3,210 - 3,370 FT-LBS
3: TORQUE TO 1,840 - 1,930 FT-LBS

