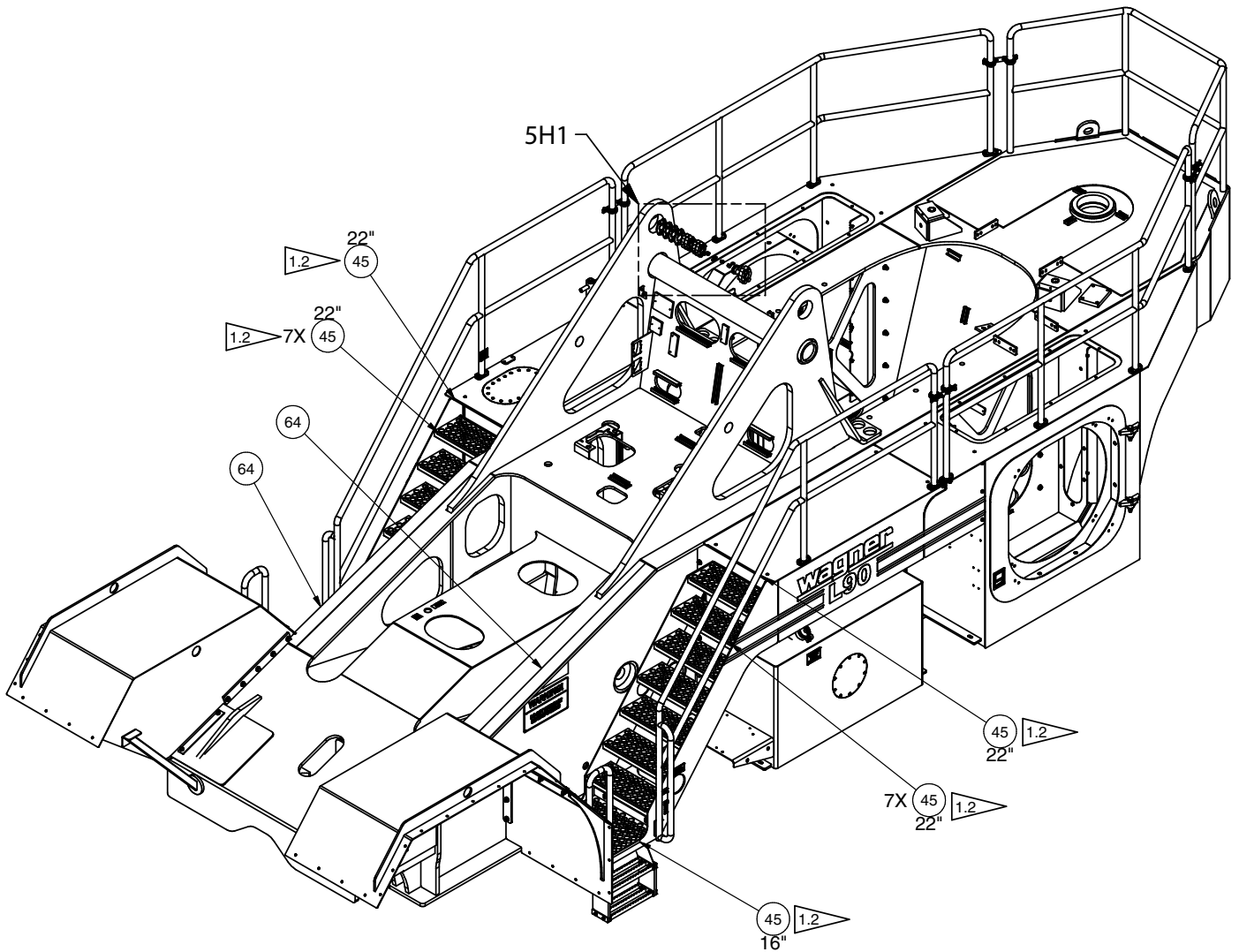

Decal Locations

Decal Locations

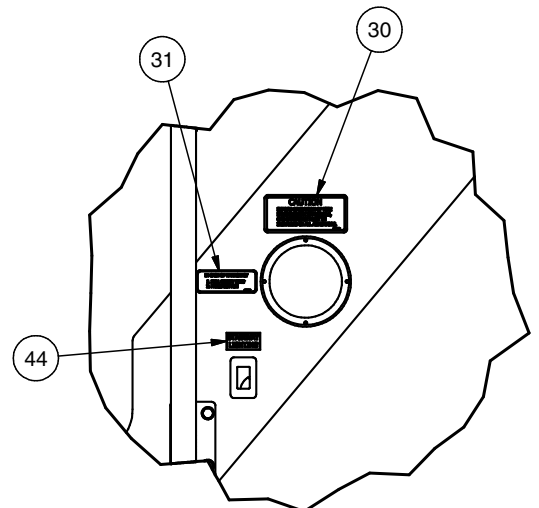
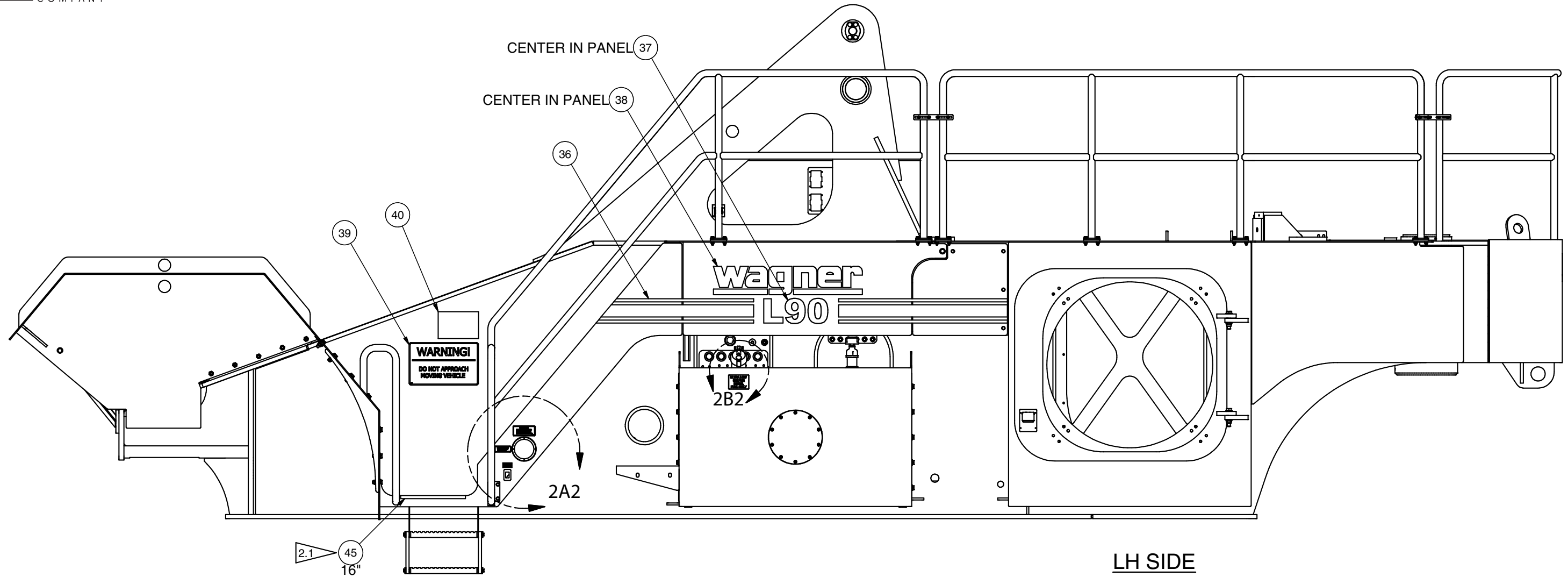
Item	Part No.	Qty	Description	Item	Part No.	Qty	Description
	598959		Decal Locations				
29	579532	1	. Decal, Replace...Element	44	593270	2	. Decal, Stairway Lighting
30	539226	1	. Decal, Fire Extinguisher	45	594140	A/R	. Tape, Reflective Marking
31	539197	1	. Decal, Fire Extinguisher	46	598795	1	. Decal, Hyd Oil Level Notice
32	557118	1	. Decal, Trans Oil Fill	47	593301	1	. Decal, Hyd Oil Check
33	528880	1	. Decal, Trans Oil Level/Idle	48	557352	1	. Decal, Pressurized Breather
34	563640	1	. Decal, Oil Fill, All Units	49	593272	1	. Decal, Hyd Tank Fill
35	563641	1	. Decal, Oil Check, All Units	50	557353	1	. Decal, Filter Pressure
36	529474	A/R	. Decal, Racing Stripe, 6 Wide	51	593271	1	. Decal, Engine Oil Drain
37	598962	2	. Decal, L90	52	587606	1	. Decal, Element
38	593266	3	. Decal, Wagner	53	595623	1	. Decal, Element
39	547451	2	. Decal, Warning	55	600742	1	. Decal, Diesel Fuel
40	547453	2	. Decal, No Riders	64	219382	A/R	. Tape, Non-Skid
42	576856	1	. Decal,A, Warning...Welding..				

Decal Locations

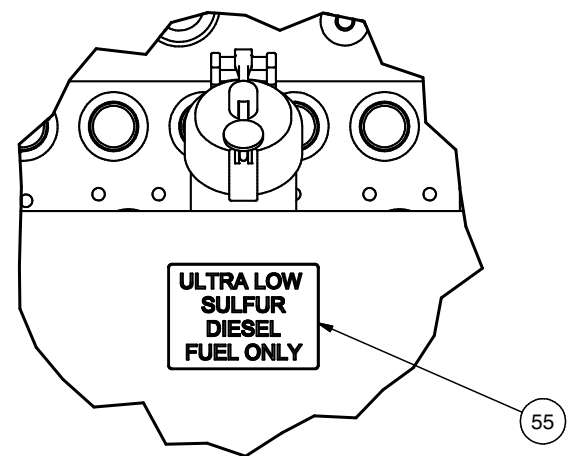


NOTES:

1.2 (triangle) ITEM 45 (REFLECTIVE TAPE) TO BE INSTALLED CENTERED ON THE FRONT OF THE STEP. DO NOT WRAP ON RADIUS.



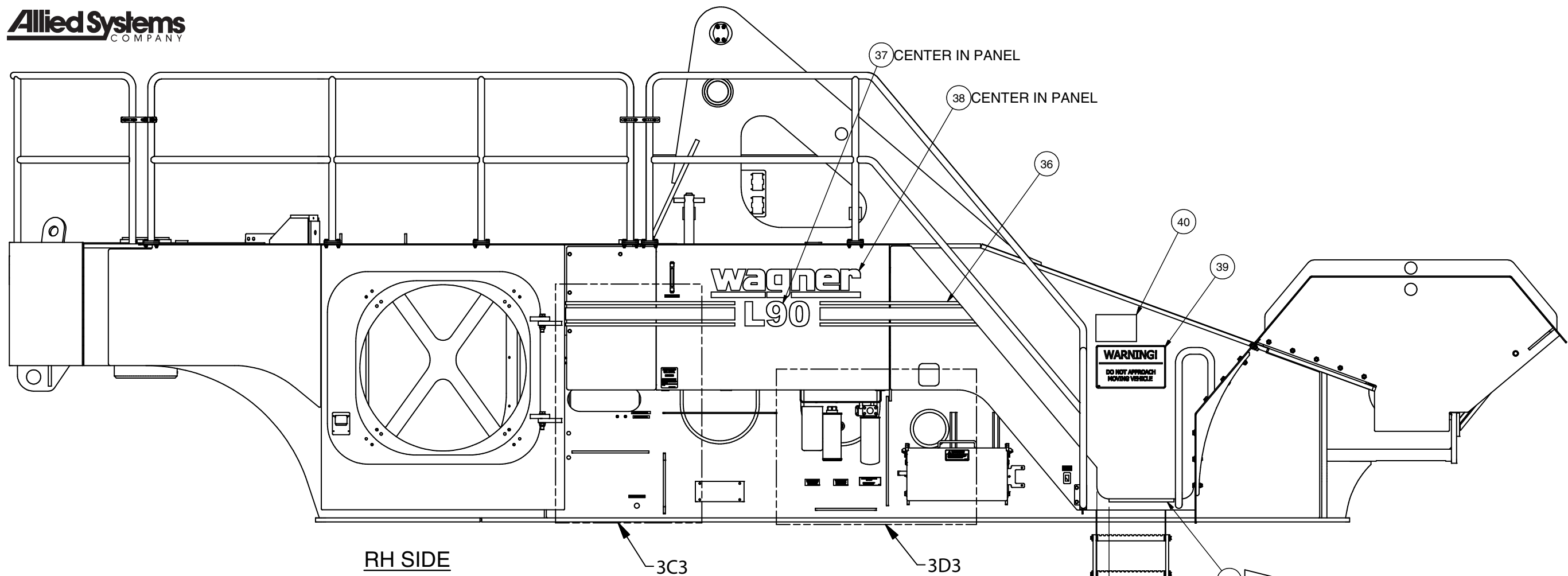
DETAIL 2A2
LH STAIR WELDMENT



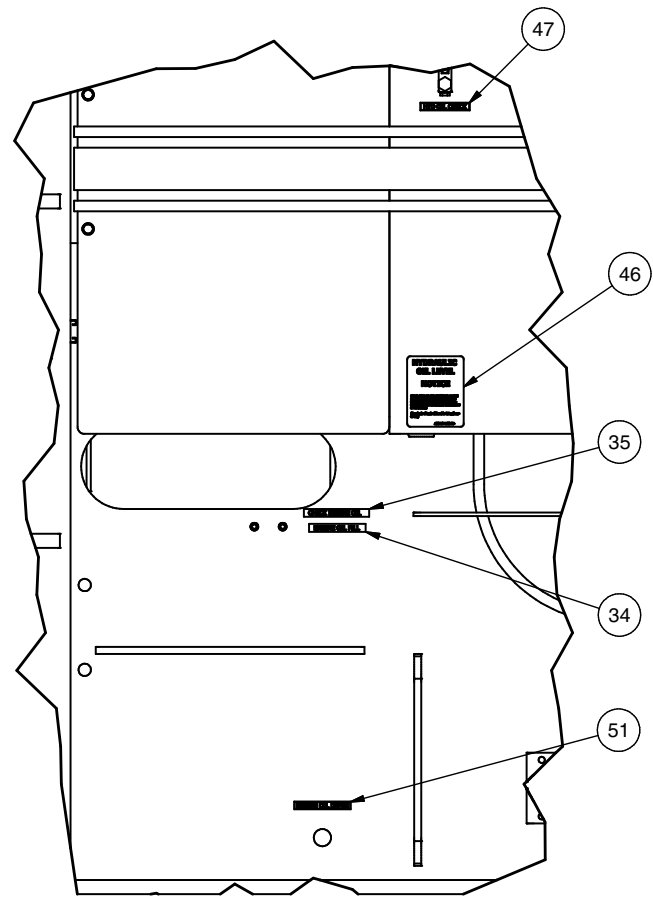
DETAIL 2B2
FUEL FILL

NOTES:

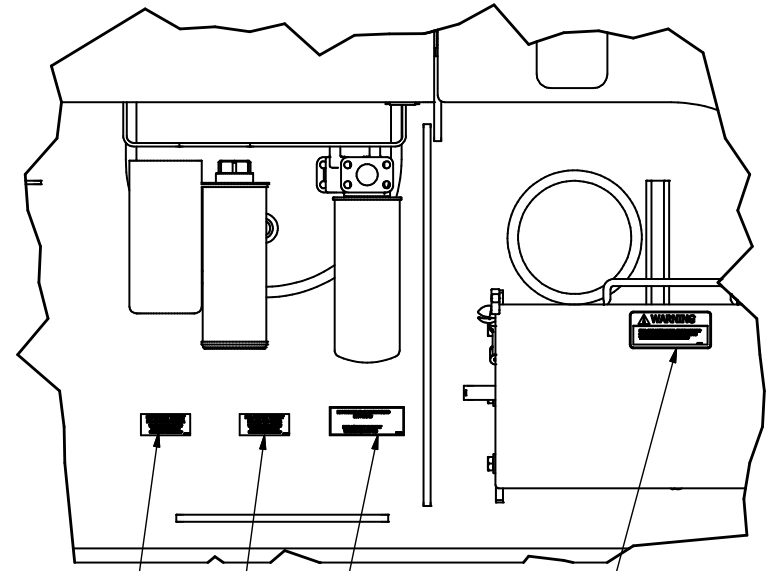
2.1 ITEM 45 (REFLECTIVE TAPE) TO BE INSTALLED CENTERED ON THE FRONT OF THE STEP. DO NOT WRAP ON RADIUS.



RH SIDE



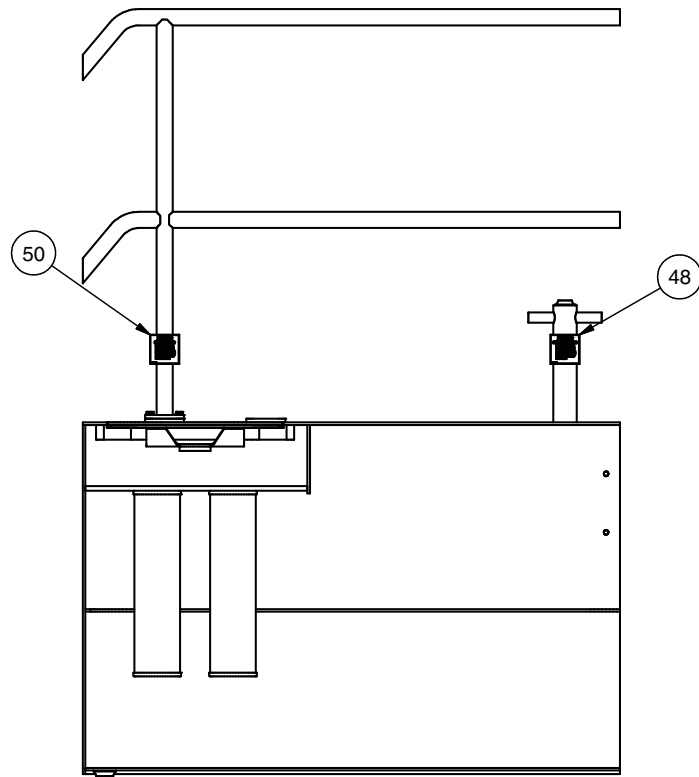
DETAIL 3C3



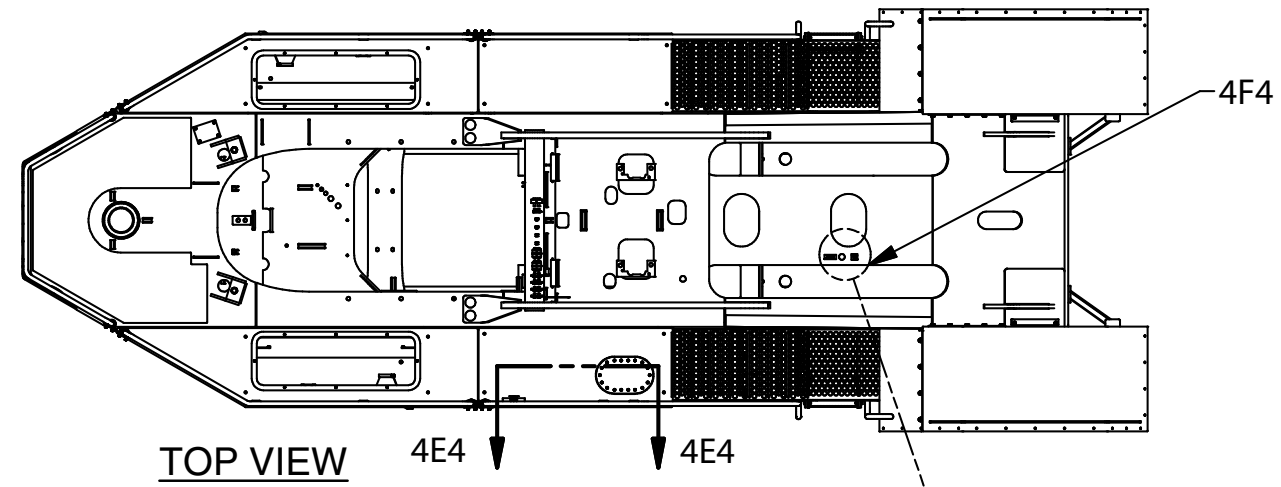
DETAIL 3D3

NOTES:

3.1 ITEM 45 (REFLECTIVE TAPE) TO BE INSTALLED CENTERED ON THE FRONT OF THE STEP. DO NOT WRAP ON RADIUS.

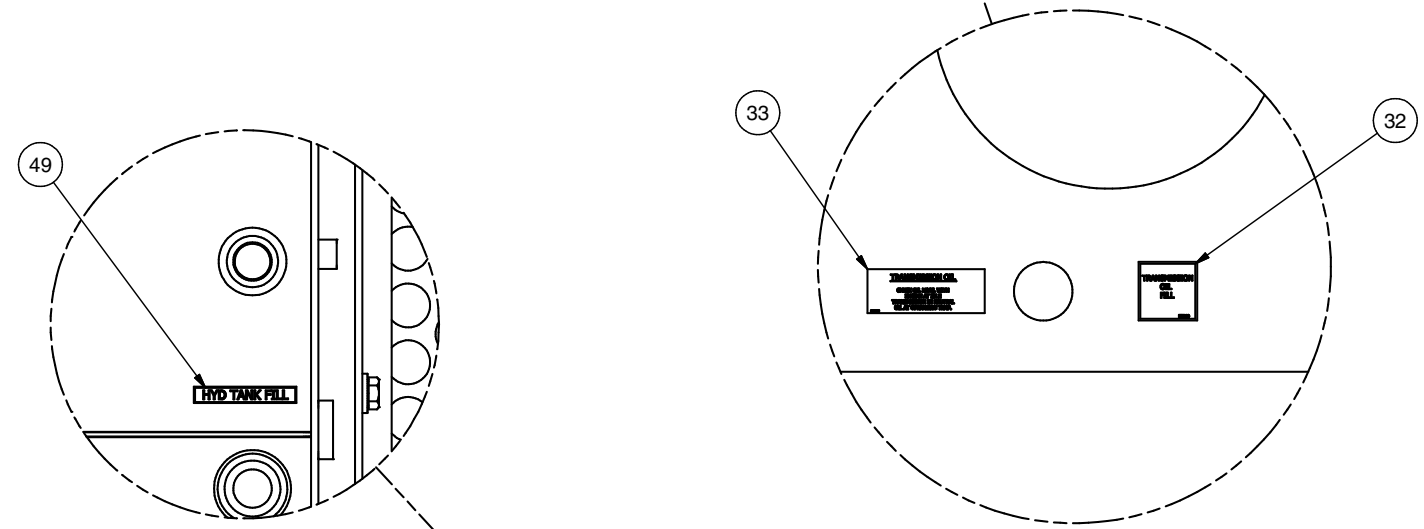


**SECTION 4E4-4E4
HYD TANK**



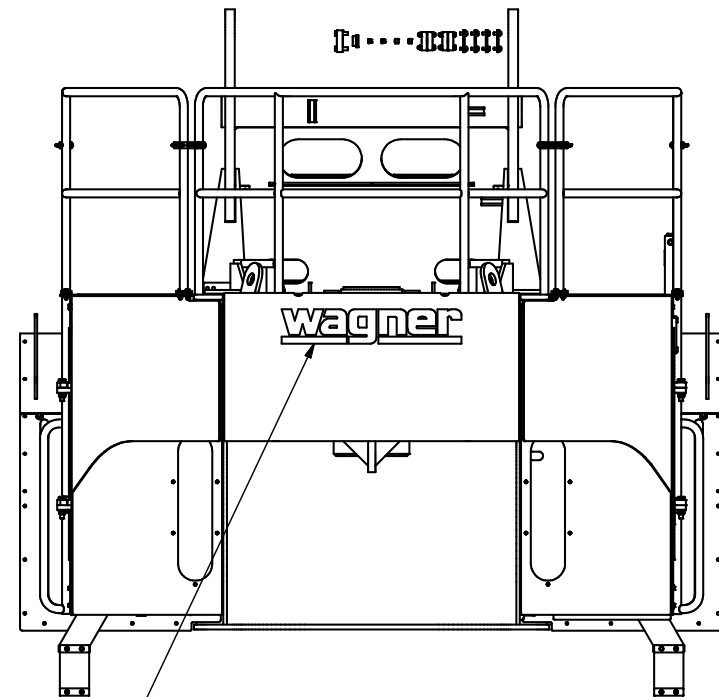
TOP VIEW 4E4 4E4

4F4



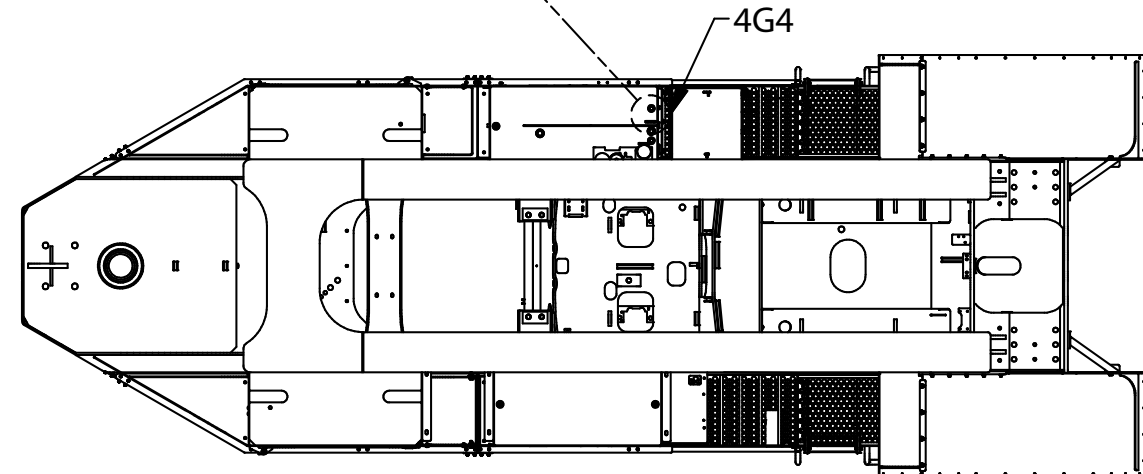
**DETAIL 4G4
HYD TANK FILL**

**DETAIL 4F4
TRANSMISSION FILL**



REAR VIEW

38



BOTTOM VIEW

4G4