
Cooling Package Installation

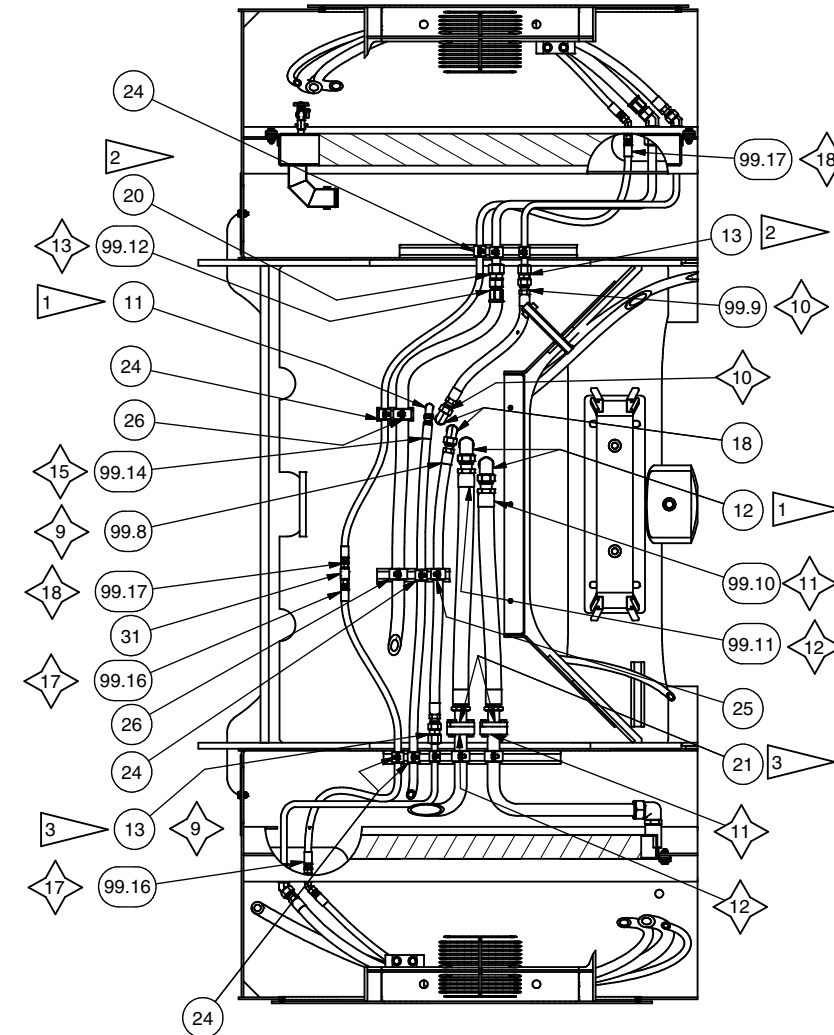
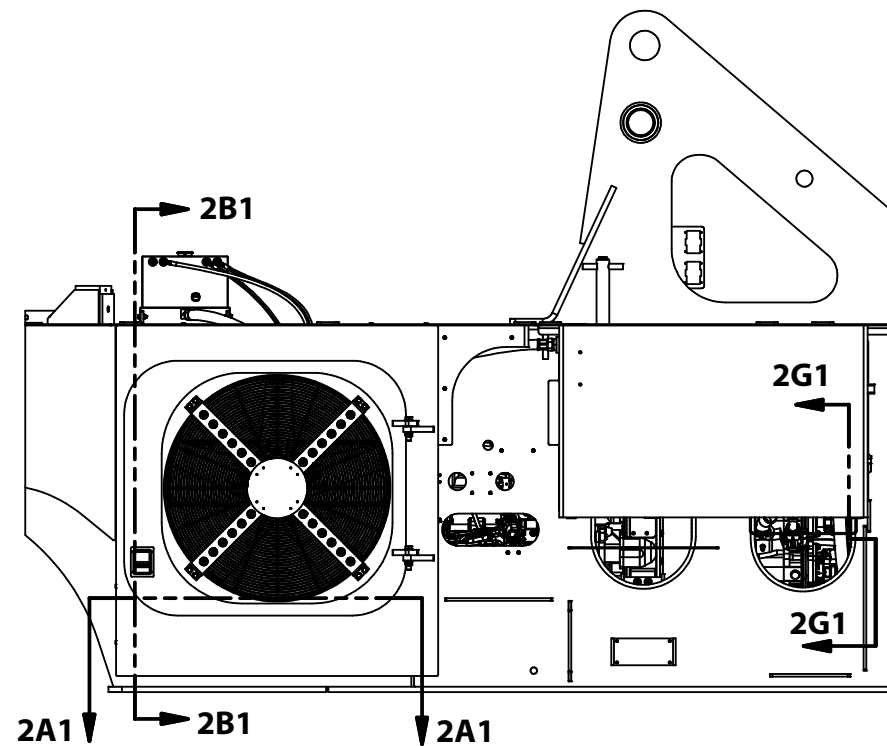
Cooling Package Installation

Item	Part No.	Qty	Description	Item	Part No.	Qty	Description
598949 Cooling Package Installation							
1	* 597734	1	. Cooling Package Assembly, RH	26	255588	3	. Clamp, Hydra-Zorb
2	* 599695	1	. Cooling Package Assembly, LH	27	218642	2	. T-Bolt Clamp
3	599696	1	. Surge Tank	28	219321	4	. T-Bolt Clamp
	599410	1	. Radiator Cap	29	225369	4	. T-Bolt Clamp
	259702	1	. Sight Glass Kit	30	CLP0100200	1	. Clamp
4	R13811210	4	. Capscrew	31	R834700	1	. Fitting
5	R13811432	8	. Washer	32	231441	1	. Fitting
6	302401W	4	. Locknut	33	600238	1	. Sensor, Coolant Level
7	599978	1	. Tube, CAC	99	599644	1	. Kit, Hose
8	243488	3	. Connector	99.1	211791-34	1	. Hose, Radiator
9	243489	6	. Clamp	99.2	211791-36	1	. Hose, Radiator
10	2514292	1	. Fitting	99.3	258951-40	1	. Hose, Suction
11	243248	1	. Fitting	99.4	224766-70	1	. Hose, Coolant
12	598621	2	. Fitting	99.5	209275	1	. Hose Assembly
13	R833659	2	. Fitting	99.6	208149	1	. Hose Assembly
14	209406	3	. Fitting	99.7	598623	2	. Hose Assembly
15	R833136	1	. Fitting	99.8	595183	1	. Hose Assembly
16	244959	1	. Fitting	99.9	049-2384	1	. Hose Assembly
17	209752	1	. Fitting	99.10	598624	1	. Hose Assembly
18	R834655	2	. Fitting	99.11	598625	1	. Hose Assembly
19	211789	1	. Fitting	99.12	598626	1	. Hose Assembly
20	231472	1	. Fitting	99.13	593563	1	. Hose Assembly
21	592862	2	. Kit, Split Flange	99.14	598627	1	. Hose Assembly
22	12721	1	. Kit, Split Flange	99.15	207848	1	. Hose Assembly
	203519	1	. O-Ring	99.16	255988	1	. Hose Assembly
23	231251	1	. Clamp	99.17	592580	1	. Hose Assembly
24	231296	8	. Clamp	99.18	600302	1	. Hose Assembly
25	CLP0100112	7	. Clamp, Hydra-Zorb				

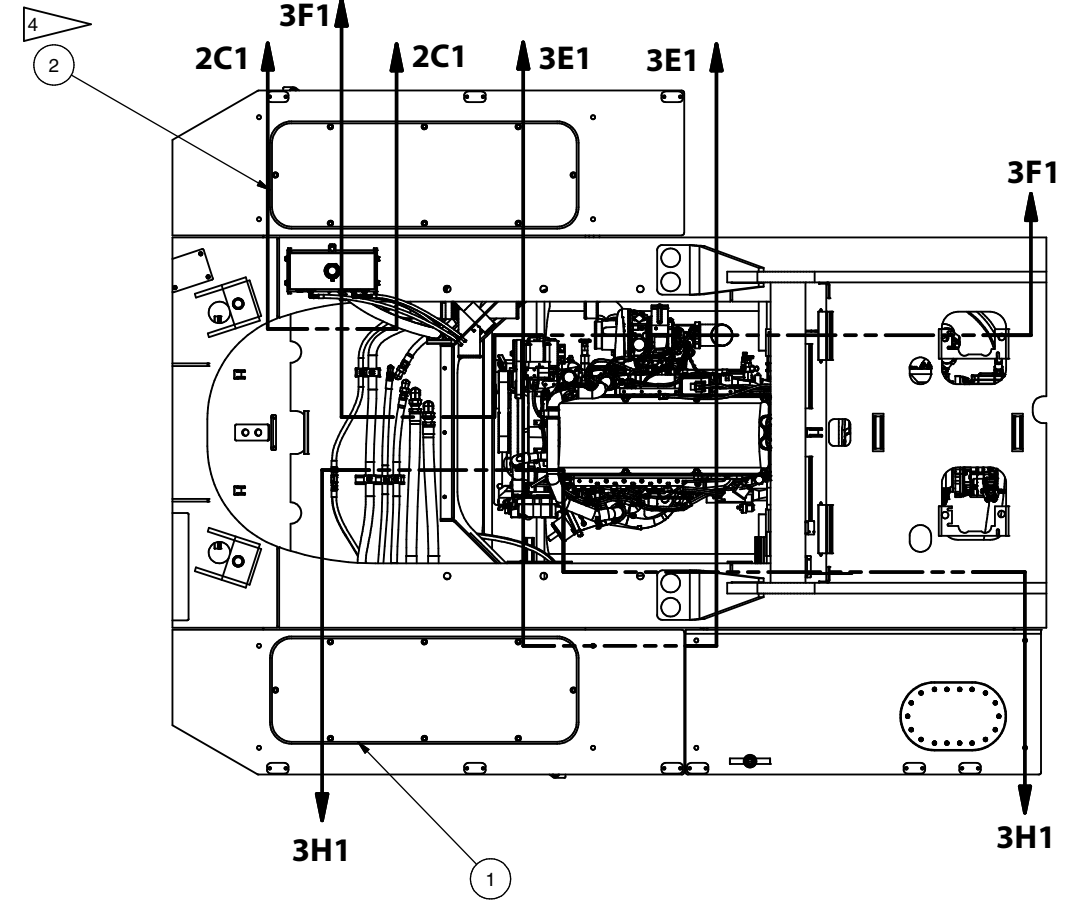
* See Separate Coverage

◆ & THE ROUTING TABLE DETAIL THE START AND END OF HOSE ROUTINGS. USE ROUTING TABLE WHEN INSTALLING ITEM 99 (HOSE KIT).

ROUTE NO.	FROM	TO
1	LOWER RAD. PORT (COLD SIDE)	LOWER BULKHEAD WLDMT RAD. PORT
2	UPPER BULKHEAD WLDMT RAD. PORT	UPPER RAD. PORT (HOT SIDE)
3	HYD. TANK SUCTION BULKHEAD	INLET OF FAN DRIVE PUMP
4	SURGE TANK LOWER PORT	LOWER BULKHEAD WLDMT RAD. PORT
5	SURGE TANK VENT PORT	BULKHEAD FITTING BULKHEAD WLDMT
6	SURGE TANK VENT PORT	UPPER RAD. VENT PORT
7	UPPER OUTLET PORT OF FAN DRIVE PUMP	INNER BULKHEAD FITTING AIR SCOOP
8	LOWER OUTLET PORT OF FAN DRIVE PUMP	OUTER BULKHEAD FITTING AIR SCOOP
9	INNER BULKHEAD FITTING AIR SCOOP	RH COOLING PACKAGE FAN SUPPLY TUBE
10	OUTER BULKHEAD FITTING AIR SCOOP	LH COOLING PACKAGE FAN SUPPLY TUBE
11	BULKHEAD FITTING (TRANS HOT SIDE)	RH COOLING PACKAGE TUBE (TRANS HOT SIDE)
12	BULKHEAD FITTING (TRANS COLD SIDE)	RH COOLING PACKAGE TUBE (TRANS COLD SIDE)
13	LH COOLING PACKAGE MOTOR RETURN TUBE	RH COOLING PACKAGE HYD. COOLER OUT
14	RH COOLING PACKAGE HYD. COOLER OUT	HYD. TANK RETURN PORT
15	RH COOLING PACKAGE FUEL COOLER OUT	BULKHEAD FITTING AIR SCOOP
16	SURGE TANK VENT PORT	BULKHEAD FITTING BULKHEAD WLDMT
17	RH COOLING FAN MOTOR DRAIN	BULKHEAD TEE FITTING AIR SCOOP
18	LH COOLING FAN MOTOR DRAIN	BULKHEAD TEE FITTING AIR SCOOP
19	BULKHEAD TEE FITTING AIR SCOOP	HYDRAULIC TANK RETURN BULKHEAD PLATE



SECTION 1A1-1A1



- NOTES:**
- 1 SEE POWER UNIT INSTL FOR CONTINUATION OF PLUMBING.
 - 2 SEE LH COOLING PACKAGE INSTL FOR CONTINUATION OF PLUMBING.
 - 3 SEE RH COOLING PACKAGE INSTL FOR CONTINUATION OF PLUMBING.
 - 4 PER AEB 24.06, MAXIMUM ALLOWED PARTICLE SIZE FOR CAC AND AIR INTAKE PIPING ARE AS FOLLOWS:
 - ALUMINUM PARTICLES: PARTICLE LENGTH CAN'T EXCEED .125 IN AND FACE AREA CAN'T EXCEED .004 IN².
 - STEEL PARTICLES: MAXIMUM PARTICLE MASS OF 1.4mg (EQUIVALENT TO Ø.028 IN SPHERICALLY SHAPED PARTICLE)

