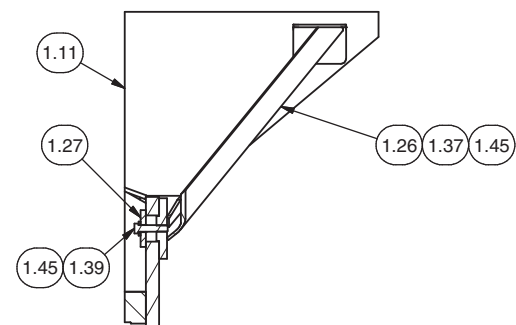
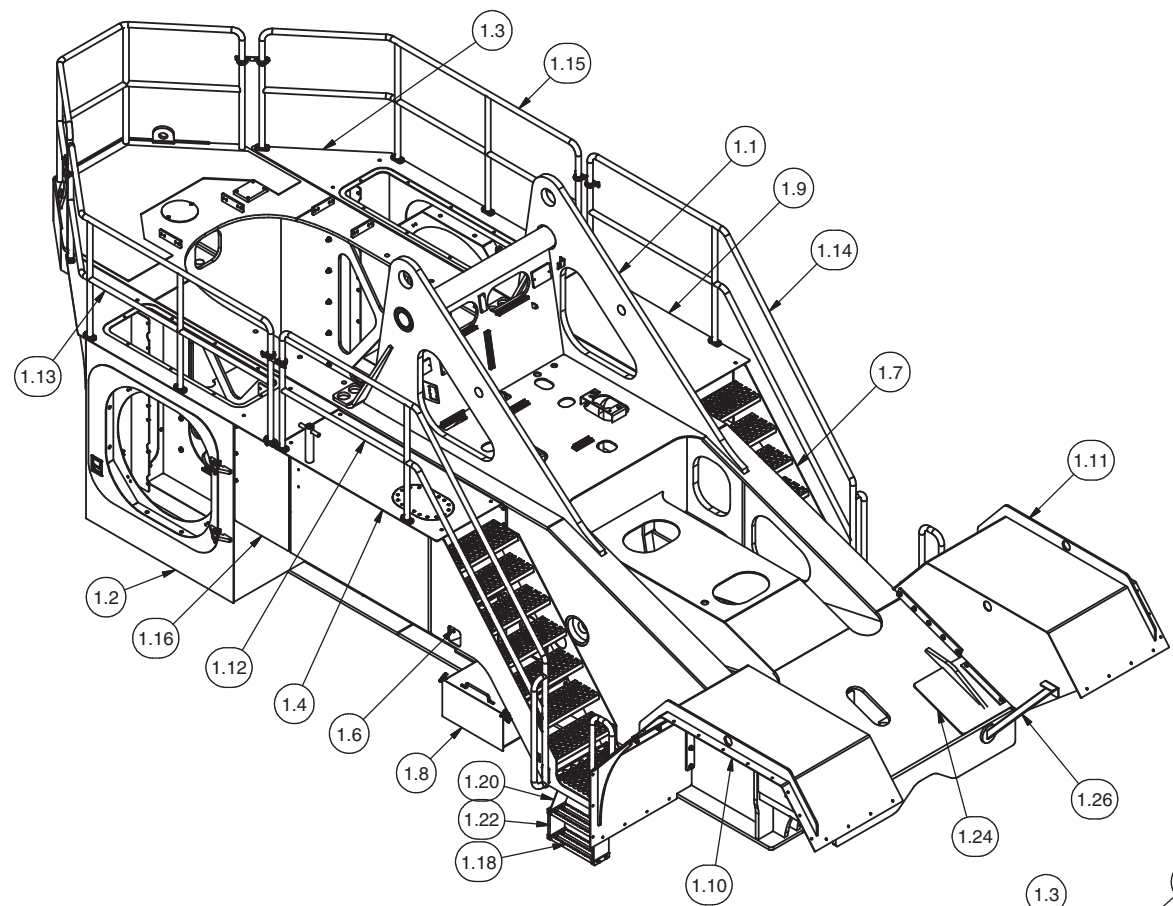
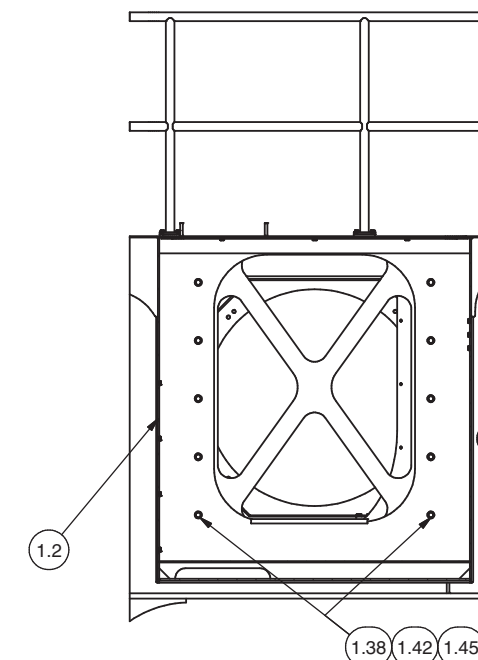

Chassis Installation, L90

Chassis Installation, L90

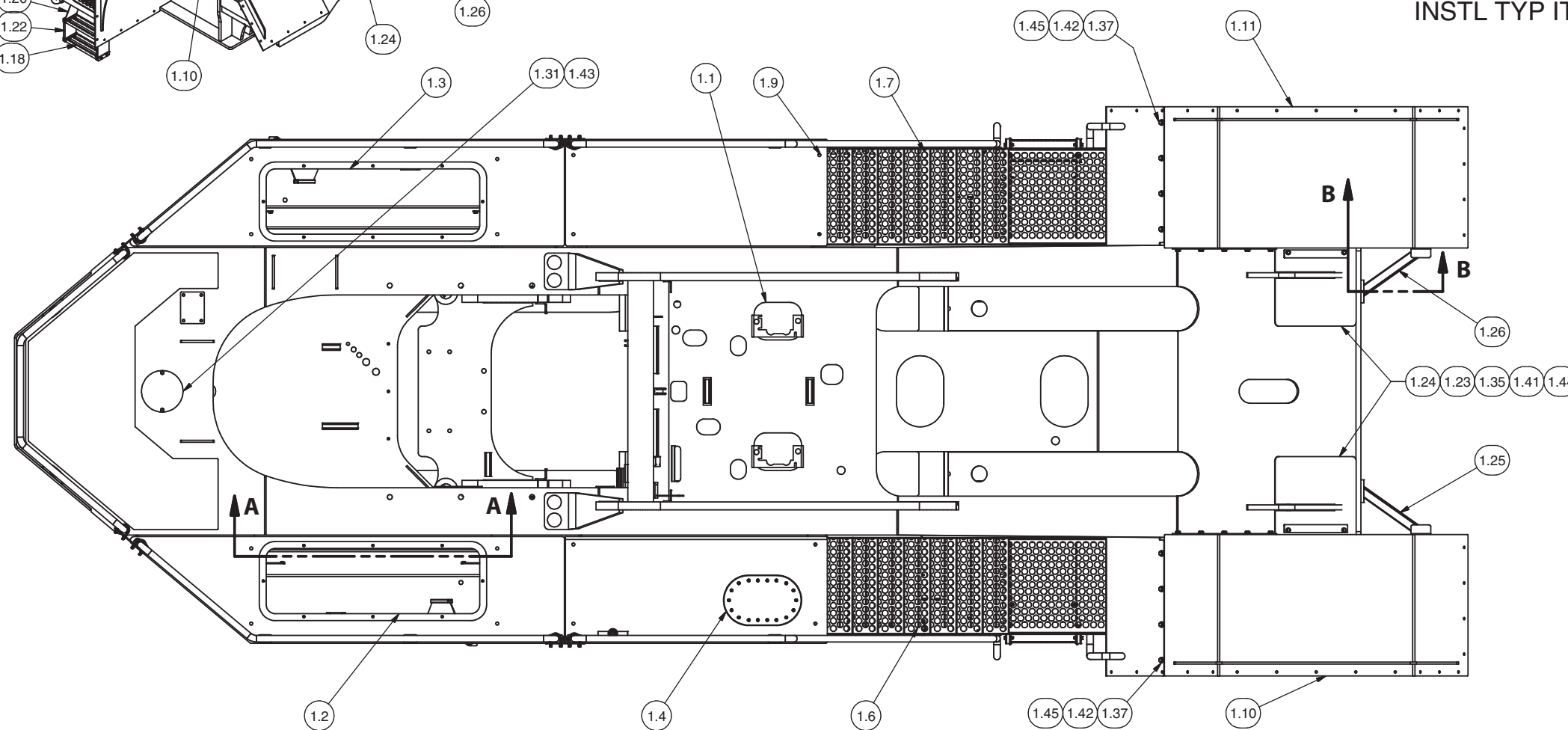
Item	Part No.	Qty	Description	Item	Part No.	Qty	Description
	598946		Chassis Installation, L90				
1.1	598961	1	. Chassis	1.24	598528	2	. Mud Flap, Axle Mount Cover
1.2	* 599530	1	. Cooling Box, RH	1.25	596056	1	. Stiff Rod - RH
1.3	* 599531	1	. Cooling Box, LH	1.26	596055	1	. Stiff Rod - LH
1.4	* 598458	1	. Hydraulic Tank	1.27	596063	2	. Plate, Washer
1.5	* 598459	1	. Fuel Tank Assembly	1.29	598566	8	. U-Bolt, Vibration Damping
1.6	598460	1	. Stair, RH	1.30	598567	4	. Plate, Handrail Clamp Mount
1.7	598461	1	. Stair, LH	1.31	293628W	8	. Capscrew
1.8	* 598570	1	. Battery Box Assembly	1.32	293629W	12	. Capscrew
1.9	598462	1	. Walkway, LH	1.33	293632W	24	. Capscrew
1.10	598463	1	. Fender, RH	1.34	R13811213	16	. Capscrew
1.11	598464	1	. Fender, LH	1.35	248986	4	. Capscrew
1.12	598518	1	. Handrail, RH Front	1.36	241023	3	. Capscrew
1.13	599532	1	. Handrail, RH Rear	1.37	Y19C-M1650	63	. Capscrew
1.14	598519	1	. Handrail, LH Front	1.38	Y19C-M1660	23	. Capscrew
1.15	599533	1	. Handrail, LH Rear	1.39	Y19C-M1670	2	. Capscrew
1.16	598526	1	. Plate, Filters Cover	1.40	302401W	52	. Locknut
1.17	598527	1	. Plate, Fire Supp Tank Cover	1.41	302402W	4	. Locknut
1.18	594937	4	. Step	1.42	302404W	54	. Locknut
1.19	598517-12	2	. Trim, Hatch Seal	1.43	221767W	112	. Washer
1.20	598515	4	. Plate, Step Mount	1.44	221771W	8	. Washer
1.21	594935	8	. Plate, Clamp	1.45	234271	145	. Washer
1.22	594938	4	. Belt, Support				
1.23	594447	2	. Cover Plate Mount				
							* See Separate Coverage

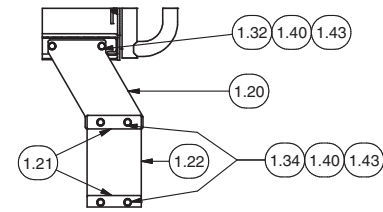


SECTION B-B
INSTL TYP ITEMS
1.25 & 1.26

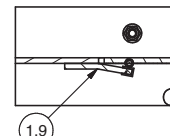


SECTION A-A
INSTL TYP ITEMS 1.2 & 1.3.

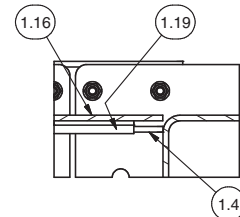




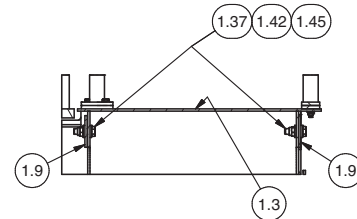
SECTION C-C



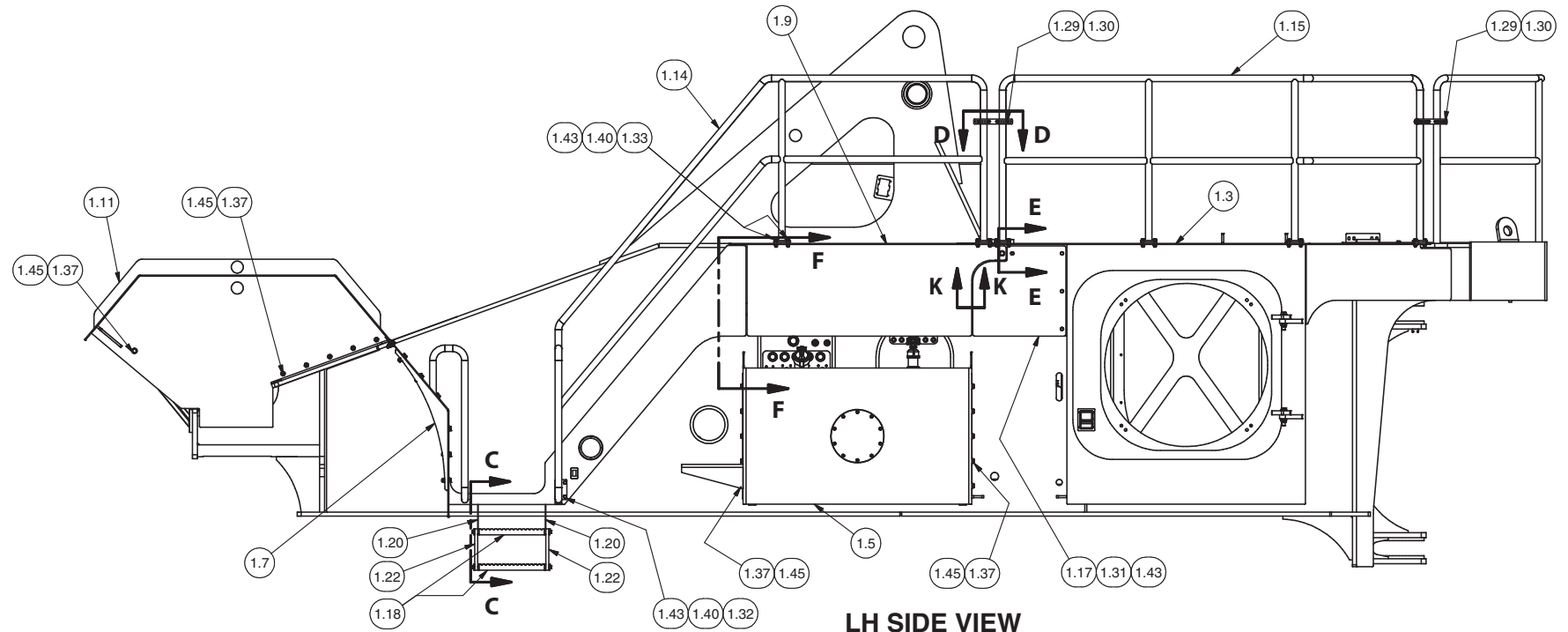
SECTION K-K



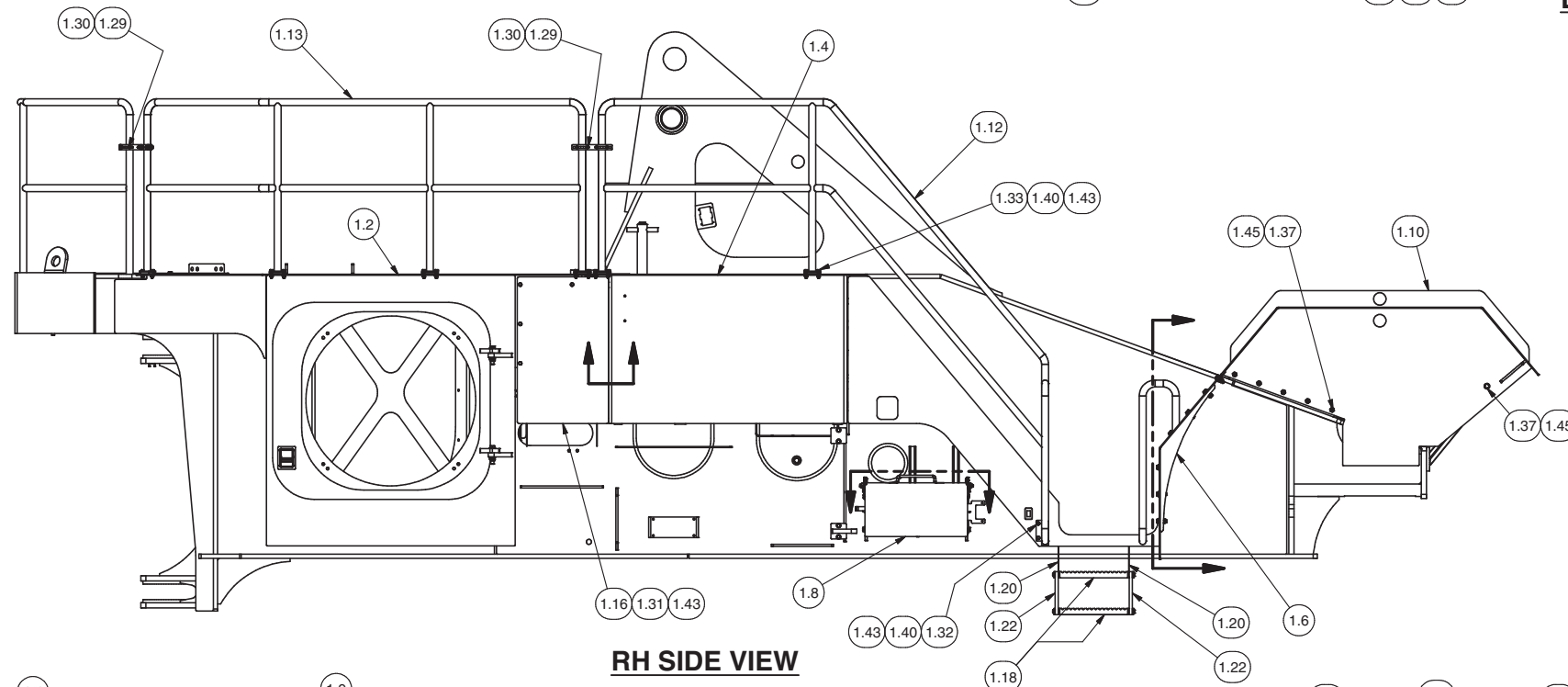
SECTION J-J



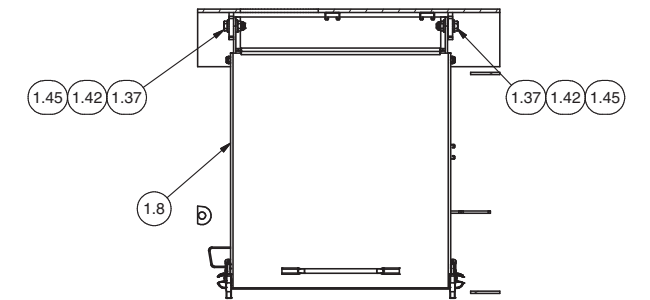
SECTION E-E



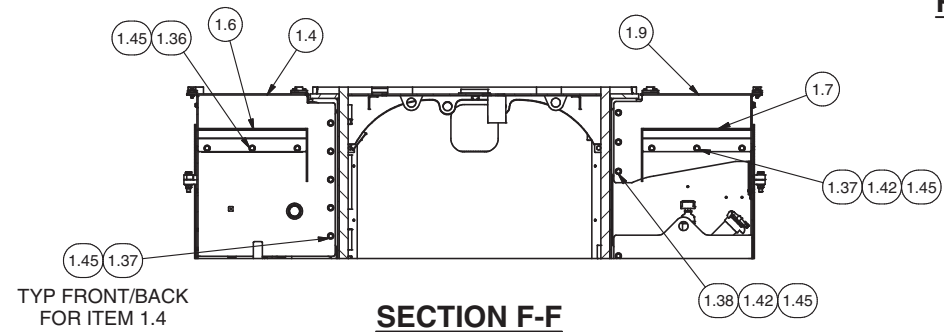
LH SIDE VIEW



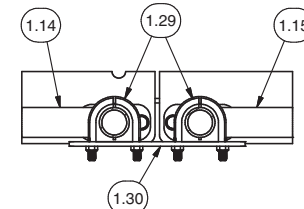
RH SIDE VIEW



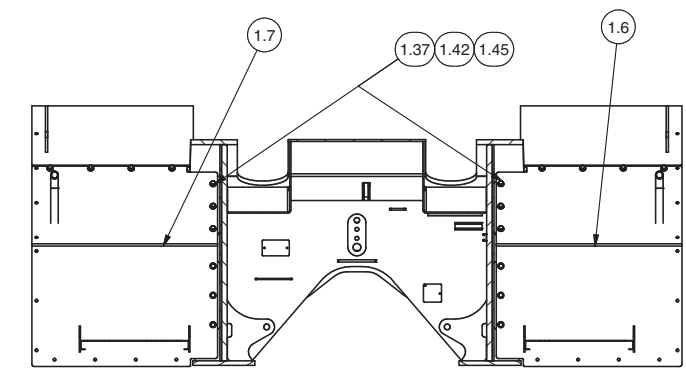
SECTION G-G



SECTION F-F



SECTION D-D
INSTL TYP ITEMS 1.29 & 1.30



SECTION H-H