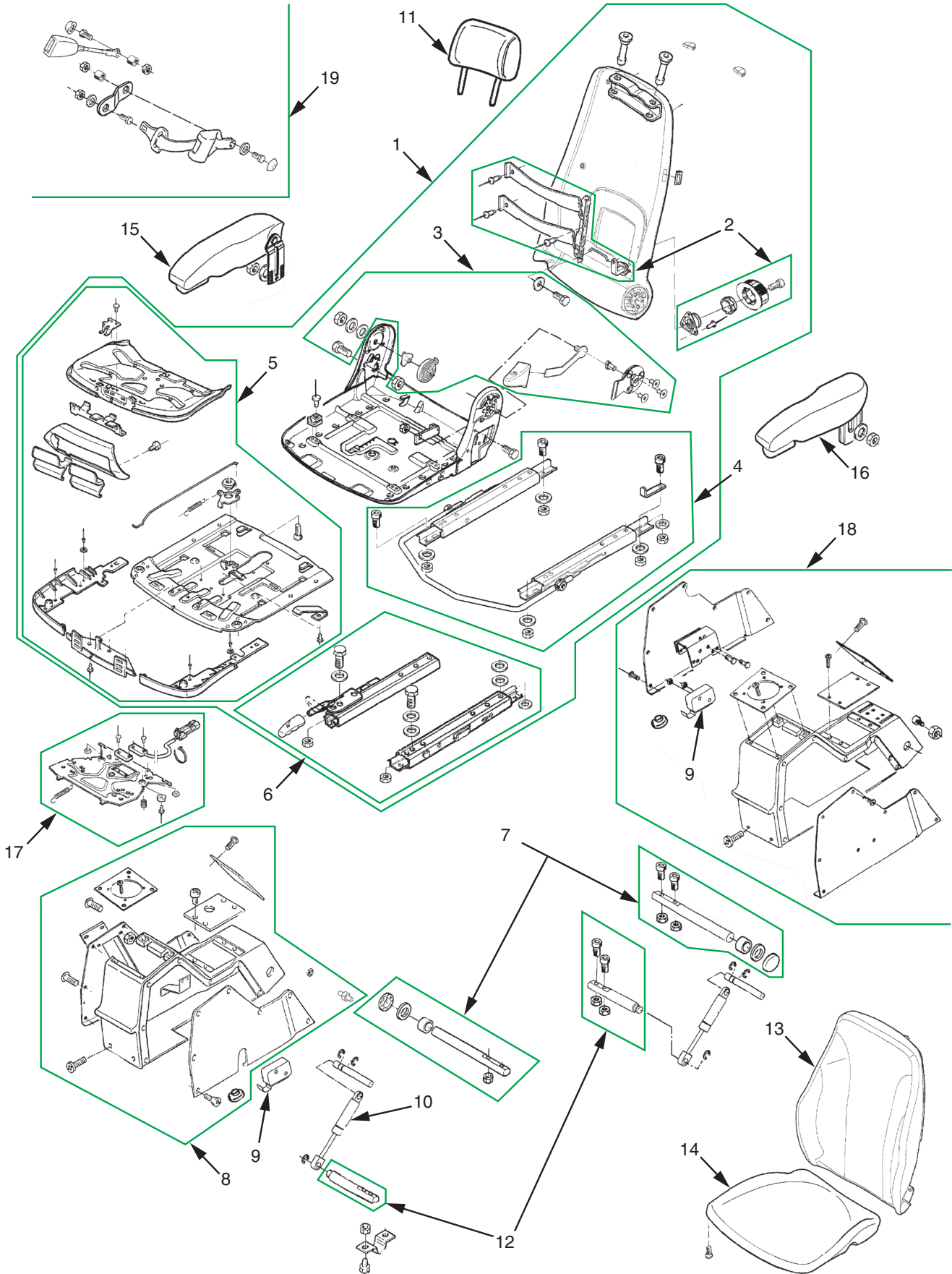

Seat Top Assembly

Seat Top Assembly



Seat Top Assembly

Item	Part No.	Qty	Description	Item	Part No.	Qty	Description
	598924		Seat Top Assembly				
1	598930	1	. Seat Frame	11	597406	1	. Cloth Headrest
2	259186	1	. . Lumbar Kit	12	598932	1	. Small Parts Kit
3	259187	1	. . Back Adjustment Repair Kit	13	597405	1	. Cloth Backrest Cushion
4	R15618	1	. . Dual Locking Slide Kit	14	597410	1	. Standard Seat Cushion - Matrix
5	259185	1	. . Seat Depth & Tilt Kit	15	588874	1	. Right Hand Armrest Kit
6	597409	1	. . Adjustment Rail Set	16	588873	1	. Left Hand Armrest Kit
7	598931	1	. Pipe Clamp Bracket Kit	17	259192	1	. Operator Presence Switch
8	259188	1	. Right Hand Control Console	18	587230	1	. Left Hand Control Console
9	259191	2	. Micro Switch	19	258839	1	. 3 Inch Retractable Seat Belt
10	259190	2	. Gas Spring For Console				