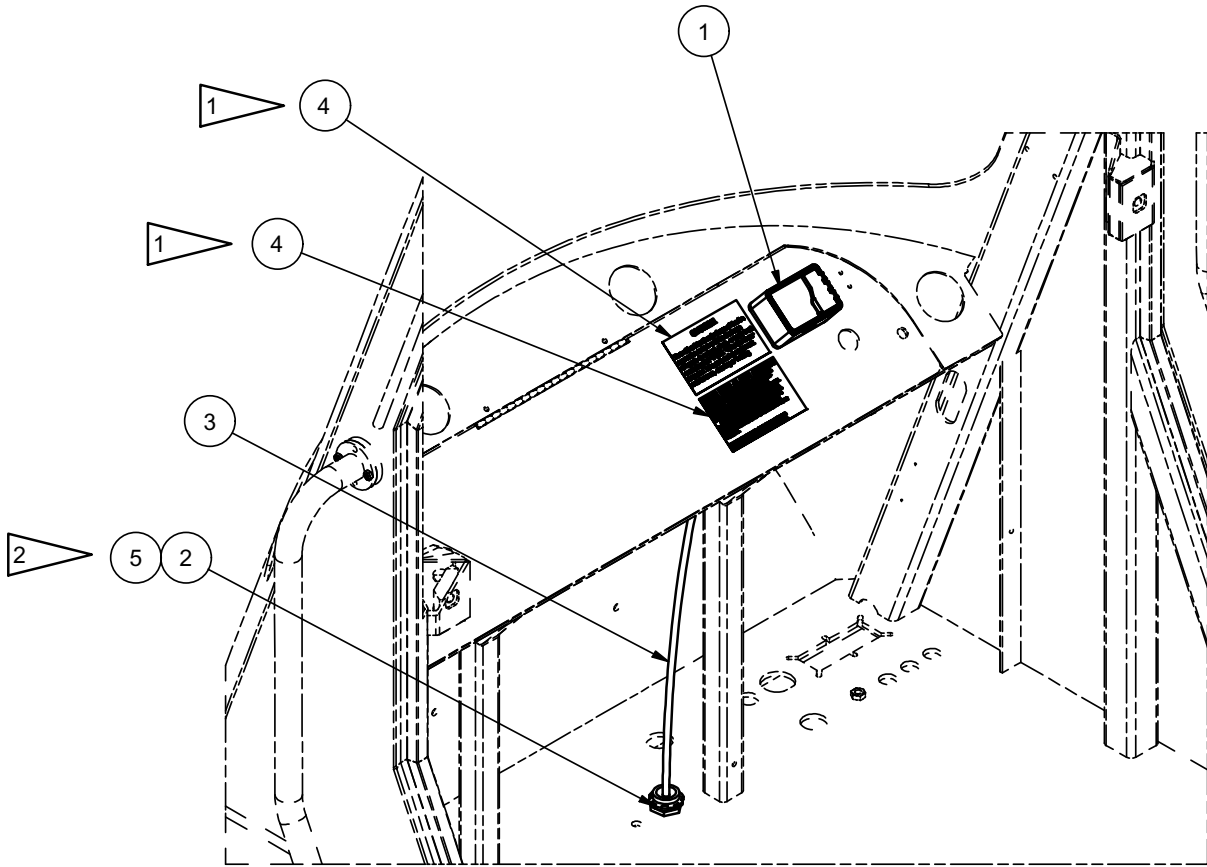


Fire Detection System - Cab



NOTES:

- 1 ITEMS ARE INCLUDED AS A KIT IN ITEM 4 (ASC P/N 594287).
- 2 INSTALL ITEM 3 SUCH THAT:
 - 6" HARNESS LEG DANGLES PAST CORD GRIP UNDER THE CAB.
 - LOOP DISPLAY CABLE IN 5.0" DIAMETER LOOP AS STOP WITH ITEM 5 INSIDE OF CAB.

Item	Part No.	Qty	Description	Item	Part No.	Qty	Description
	598843		Fire Detection System - Cab				
1	* 594254	1	. Display Module	4	594287	1	. Label Package
2	601577	1	. Cord Grip	5	601578	1	. Grommet, Display
3	598844	1	. Cable, Display				

* See Separate Coverage