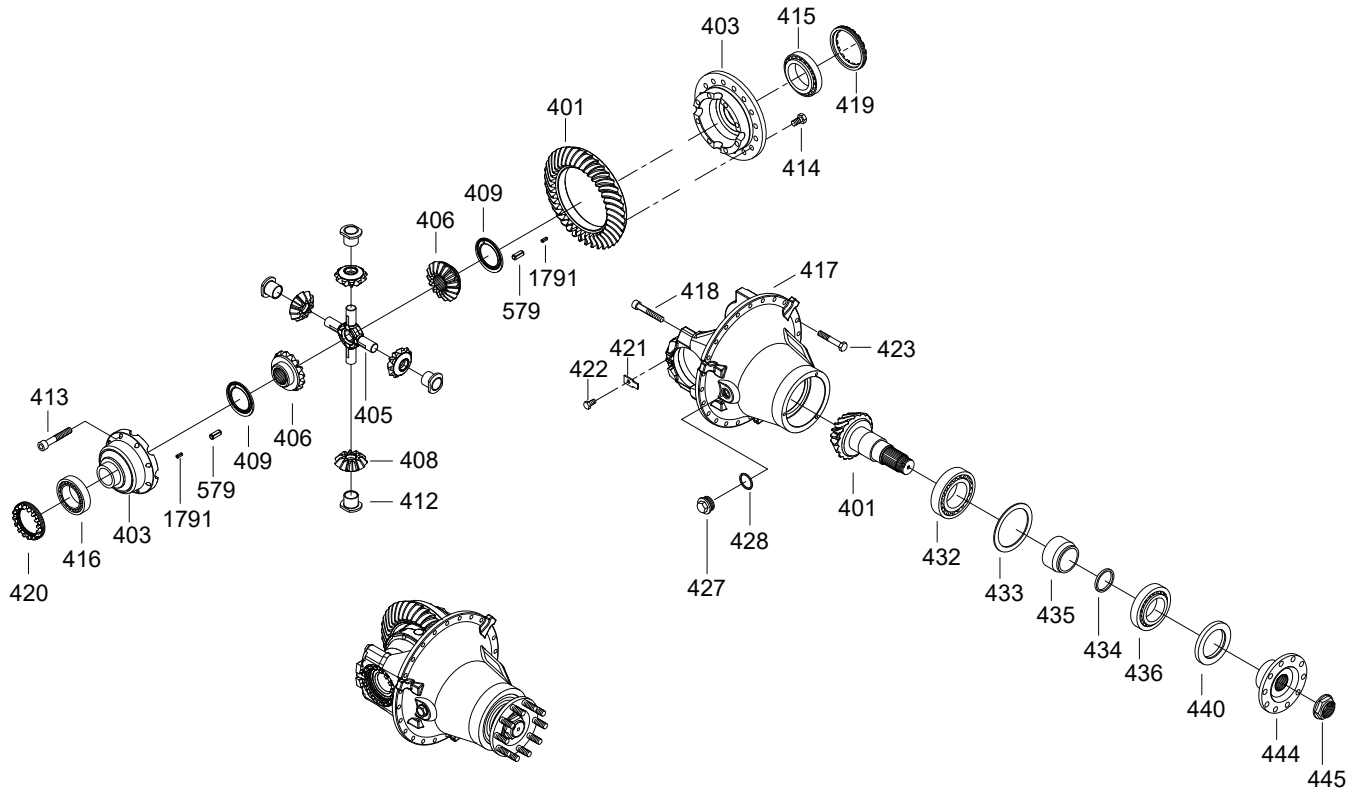


Differential & Carrier Assembly



Item	Part No.	Qty	Description	Item	Part No.	Qty	Description
	<b>598832</b>		<b>Differential &amp; Carrier Assembly</b>				
401	*b 592971	1	. Wheel Set, Bevel	422	592967	2	. Screw Hexagon
403	259460	1	. Housing, Differential	423	592993	24	. Screw Hexagon
405	592975	1	. Spider, Differential	427	592994	1	. Plug, Screw
406	259461	2	. Gear, Side	428	*a 592996	1	. Ring, Sealing
408	592979	4	. Pinion, Differential	432	*a 592998	1	. Bearing, Tapered-Roller
409	*a 600271	2	. Disc	433	*a 592999	1	. Disc
412	*a 592980	4	. Bushing	434	593000	1	. Washer, Thrust
413	592981	12	. Screw Hexagon Socket	435	593002	1	. Bushing
414	592983	16	. Screw Hexagon	436	*a 593003	1	. Bearing, Tapered-Roller
415	*a 592984	1	. Bearing, Tapered-Roller	440	*a*c 593004	1	. Ring, Seal
416	*a 592985	1	. Bearing, Tapered-Roller	444	593006	1	. Flange, Drive
417	592986	1	. Carrier, Differential	445	*a*b 593007	1	. Adjusting Nut
418	592987	4	. Screw Hexagon Socket	579	600272	6	. Locking Pin
419	*d 592989	1	. Ring, Setting	1791	600273	6	. Locking Pin
420	*d 592990	1	. Ring, Setting				
421	592992	2	. Plate, Lock				
				*a	Included in Service Kit 259606		
				*b	Included in Ring & Pinion Kit 593124		
				*c	Use Sleeve Driver 593402		
				*d	Use Spanner 593404		