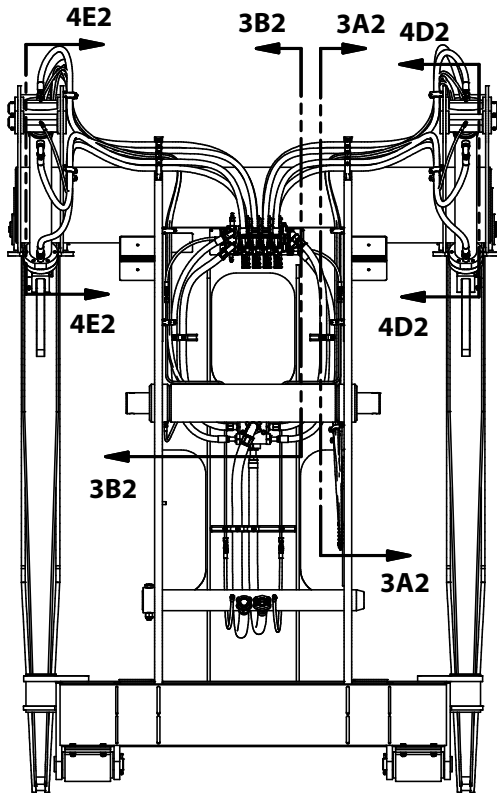

Auto Lube System, Carriage

Auto Lube System, Carriage

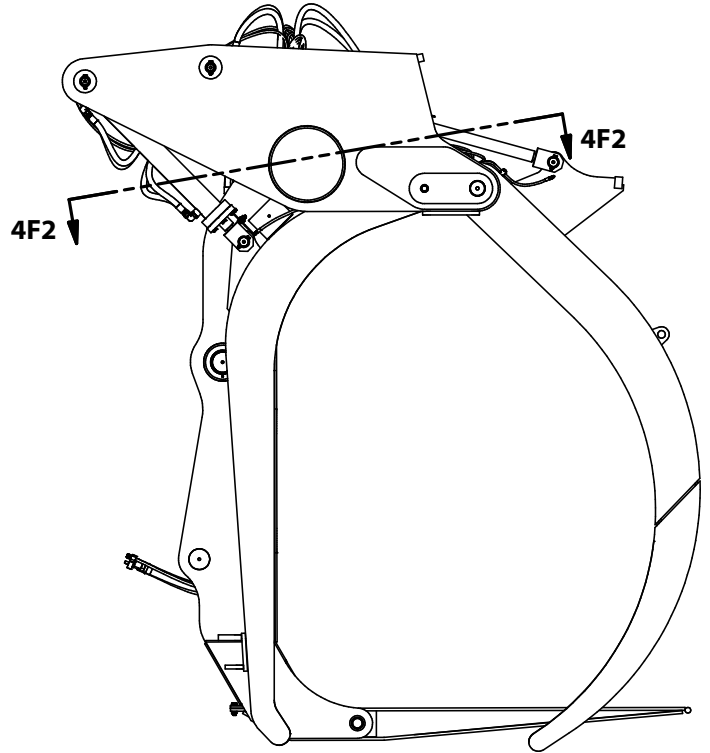
Item	Part No.	Qty	Description	Item	Part No.	Qty	Description
	598767		Auto Lube System, Carriage				
2.1	* 592591	1	. Distribution Block, 8 Port	2.99	598778	1	. Kit, Hose
2.2	* 592590	1	. Distribution Block, 6 Port	2.99.1	238226	1	.. Hose Assembly
2.3	* 592528	4	. Metering Unit	2.99.2	220529	1	.. Hose Assembly
2.4	* 592524	8	. Metering Unit	2.99.3	598775	2	.. Hose Assembly
2.5	* 592526	2	. Metering Unit	2.99.4	237056	1	.. Hose Assembly
2.6	229551	6	. Fitting	2.99.5	230673	1	.. Hose Assembly
2.7	251172	2	. Fitting	2.99.6	598776	1	.. Hose Assembly
2.8	293797W	4	. Capscrew	2.99.7	214275	1	.. Hose Assembly
2.9	209750	18	. Fitting	2.99.8	598777	2	.. Hose Assembly
2.10	231248	12	. Clamp	2.99.9	590338	1	.. Hose Assembly
2.11	231251	15	. Clamp	2.99.10	239994	1	.. Hose Assembly
2.12	209405	8	. Fitting	2.99.11	229557	1	.. Hose Assembly
2.13	231249	4	. Clamp	2.99.12	237850	1	.. Hose Assembly
2.14	231296	2	. Clamp	2.99.13	217498	1	.. Hose Assembly
2.15	230918	2	. Fitting	2.99.14	233706	1	.. Hose Assembly
2.16	249329	20	. Cable Tie	2.99.15	242036	2	.. Hose Assembly
				2.99.16	246187	2	.. Hose Assembly

* Not included with 598767. Part of Kit 598037.

Auto Lube System, Carriage



CARRIAGE REAR VIEW

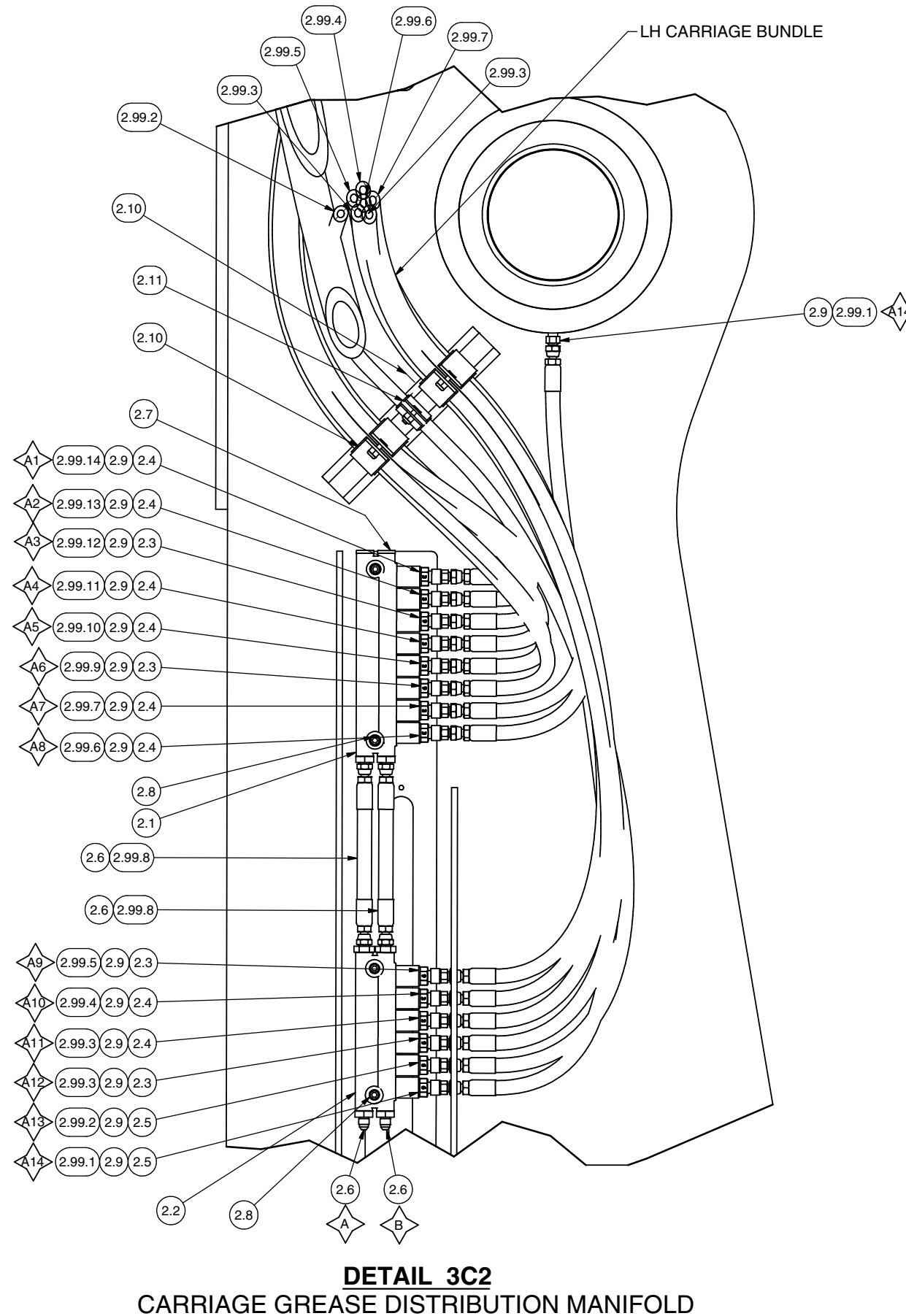
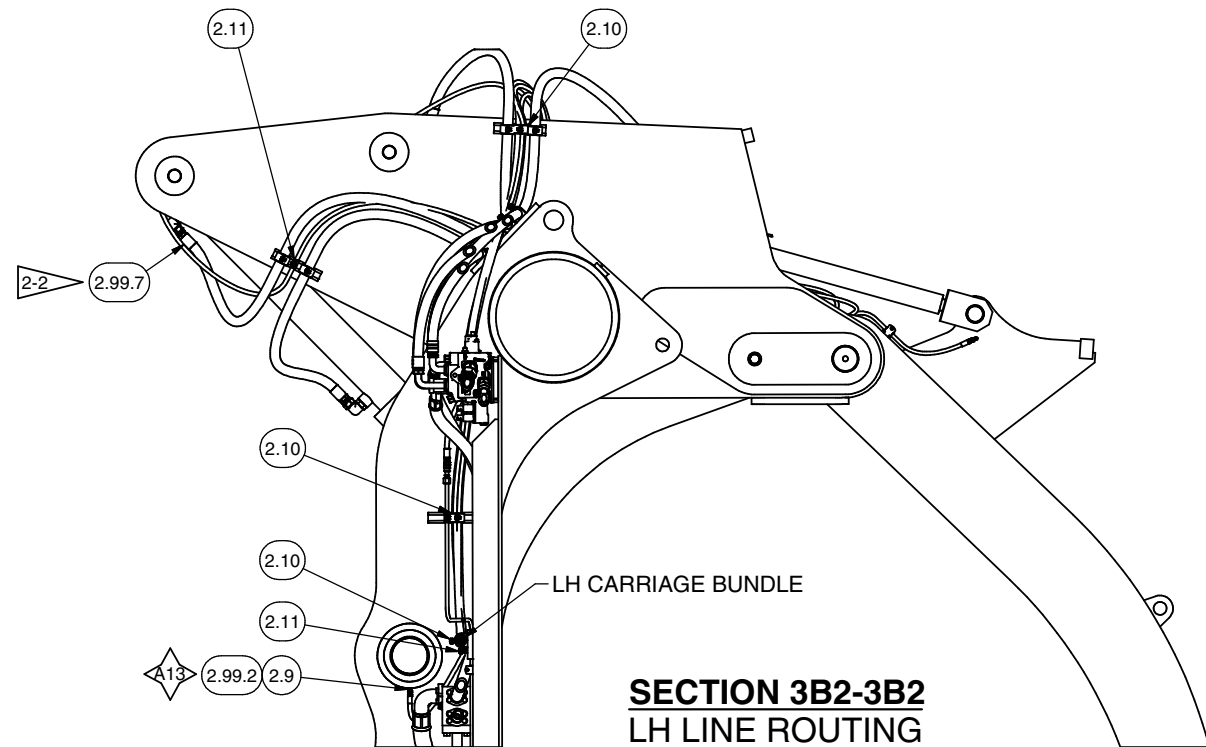
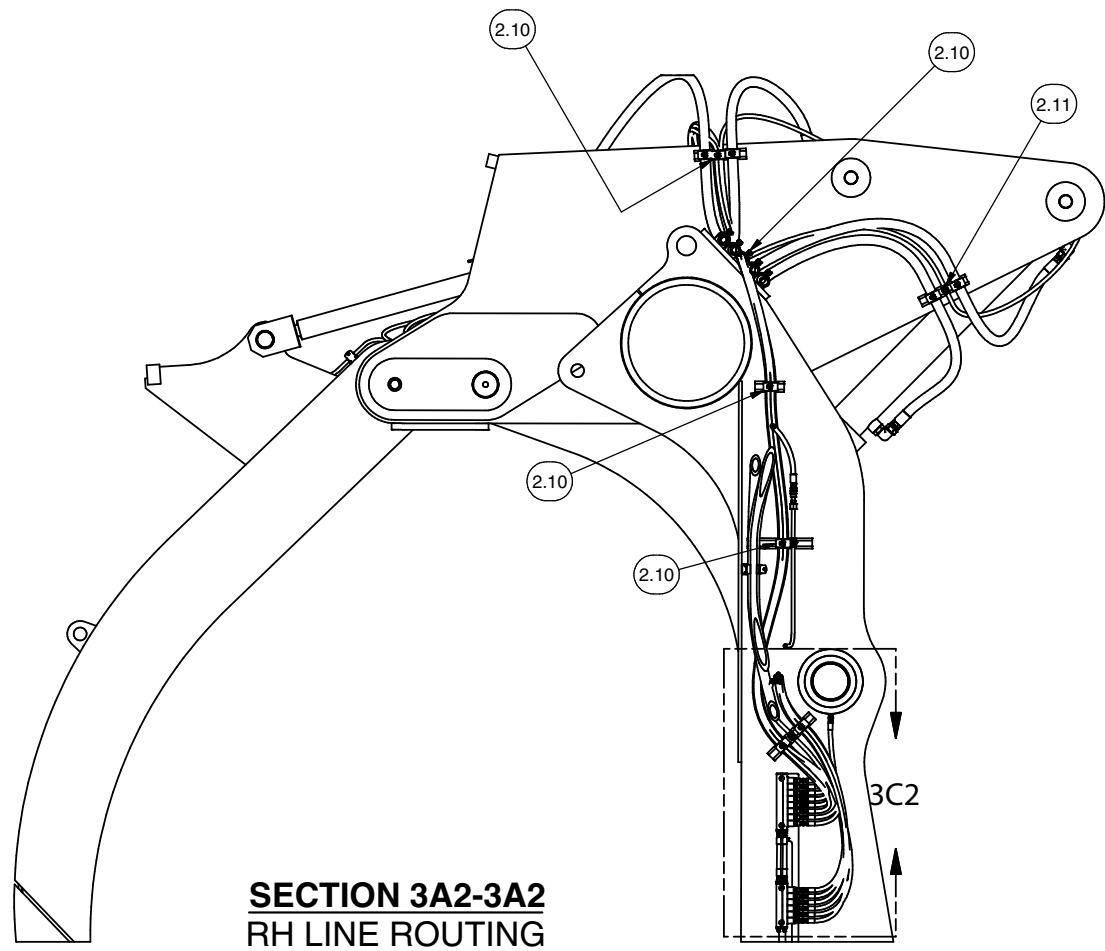


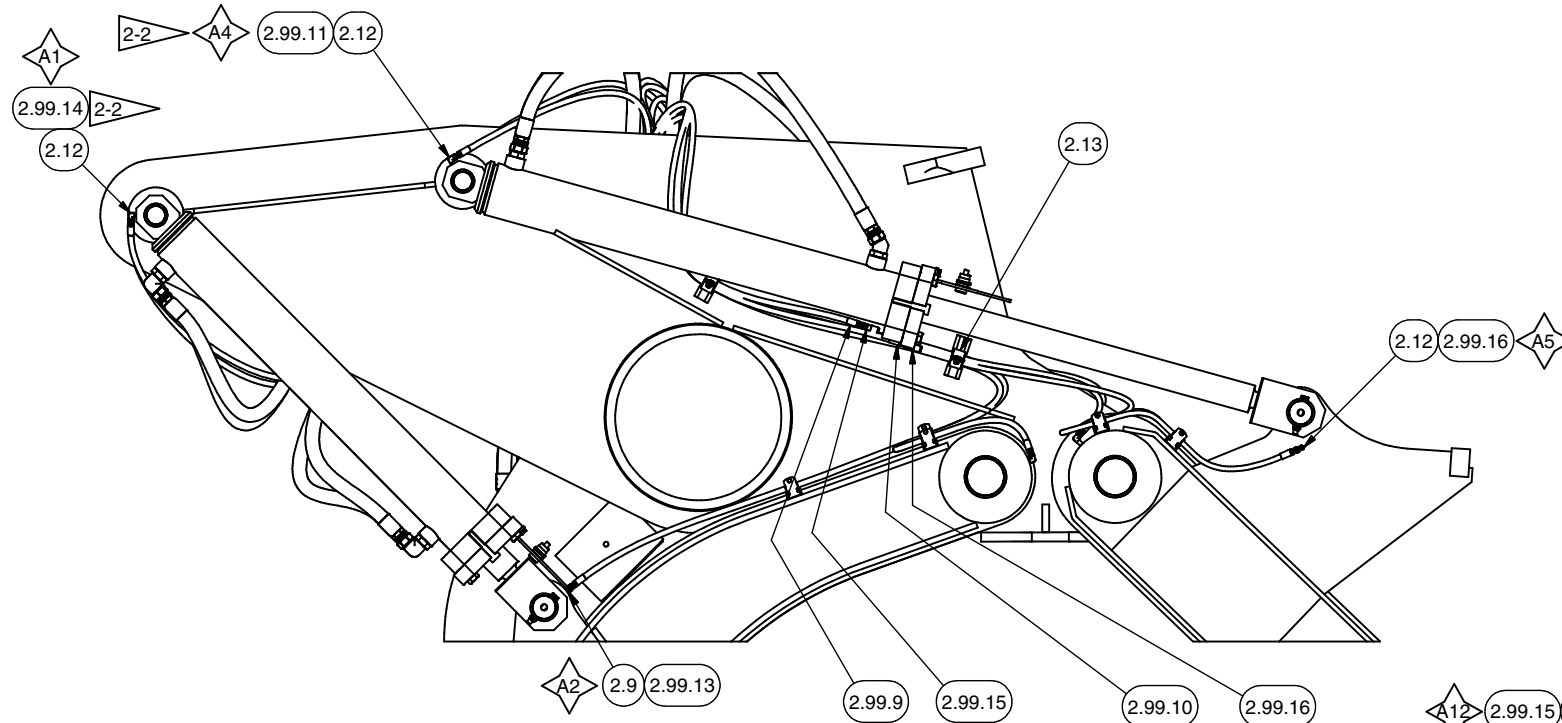
CARRIAGE ROUTING	
ROUTE	TO
A1	RH KO CYL BASE
A2	RH KO CYL STEM
A3	RH KO ARM WLDMT PIVOT
A4	RH HD CYL BASE
A5	RH HD CYL STEM
A6	RH HD ARM WLDMT PIVOT
A7	LH KO CYL BASE
A8	LH KO CYL STEM
A9	LH KO ARM WLDMT PIVOT
A10	LH HD CYL BASE
A11	LH HD CYL STEM
A12	LH HD ARM WLDMT PIVOT
A13	LH TILT CYL STEM PIVOT
A14	RH TILT CYL STEM PIVOT

NOTES:

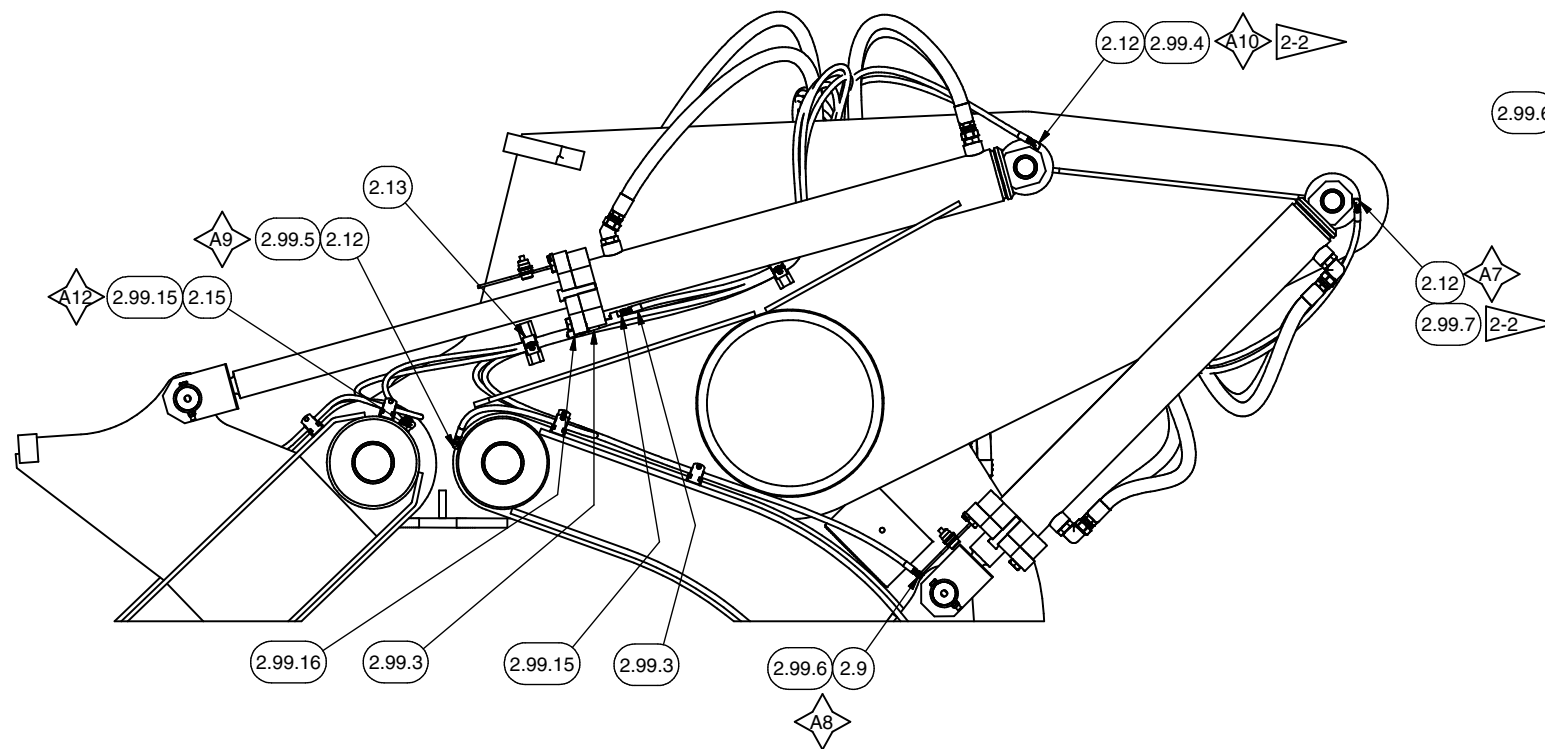
2-1. ITEM 2.16 IS NOT SHOWN. THIS IS USED TO SECURE LINES AS REQUIRED.

2-2 SECURE GREASE LINE TO HD AND KO CYLINDER BASE PLUMBING.

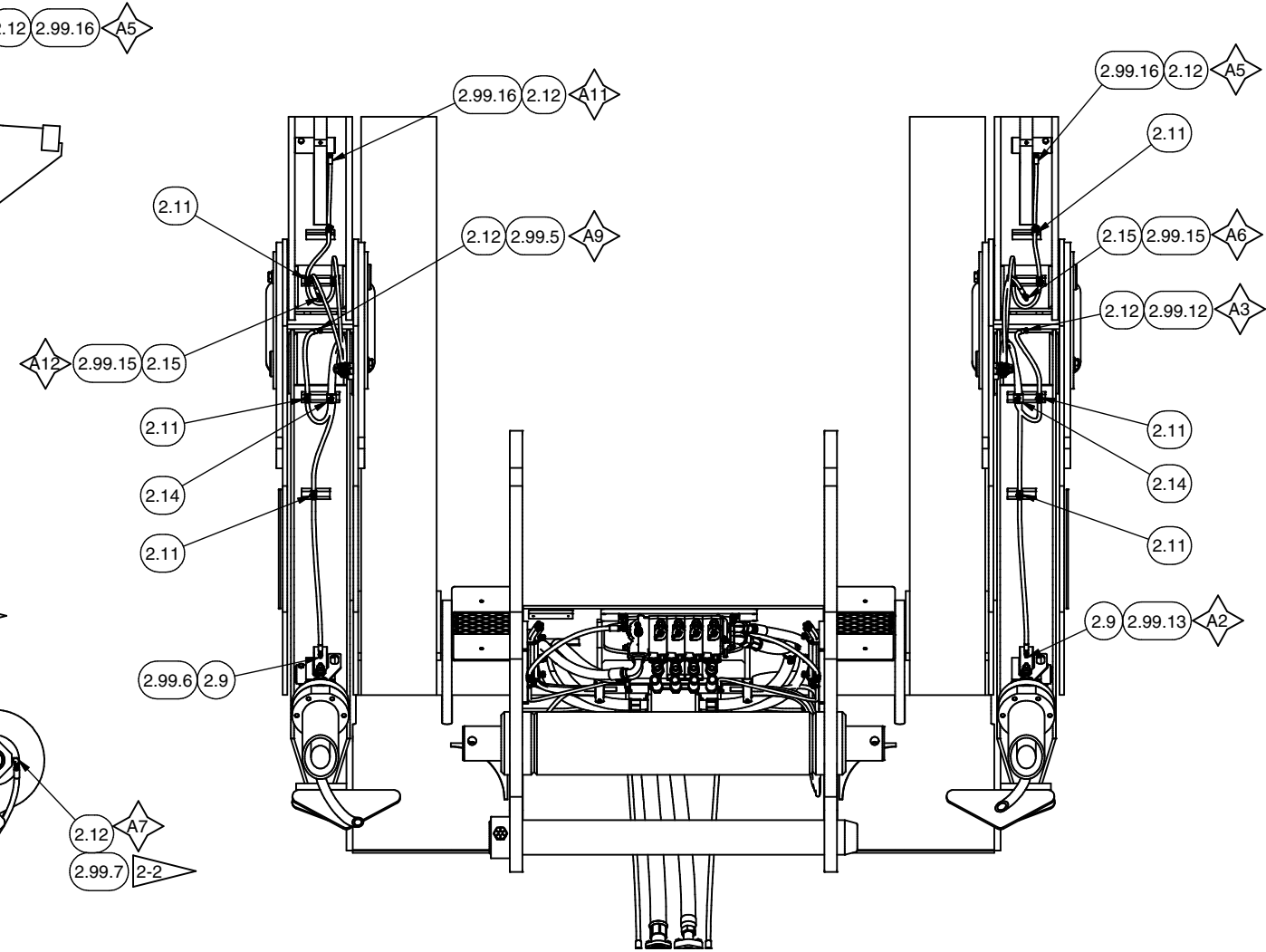




SECTION 4D2-4D2
RH CARRIAGE GREASING SYSTEM



SECTION 4E2-4E2
LH CARRIAGE GREASING SYSTEM



SECTION 4F2-4F2
SOME PARTS REMOVED FOR CLARITY