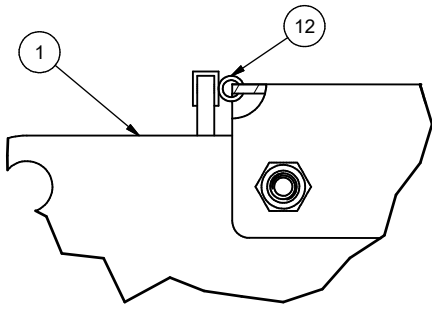
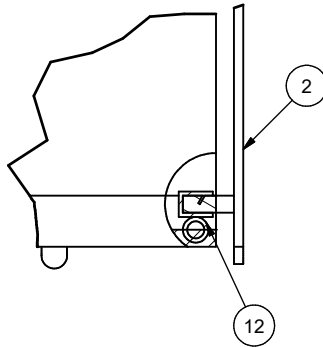


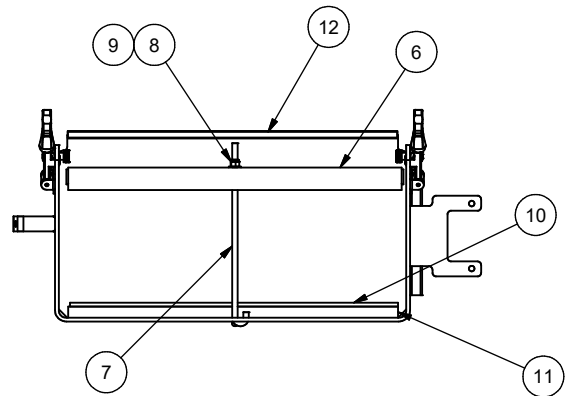
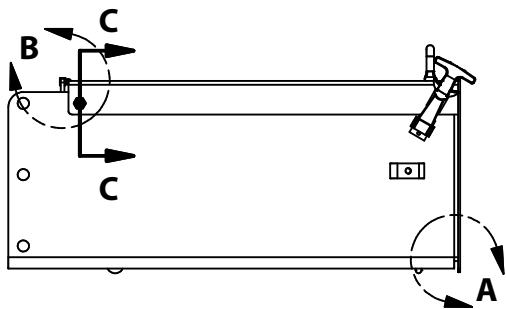
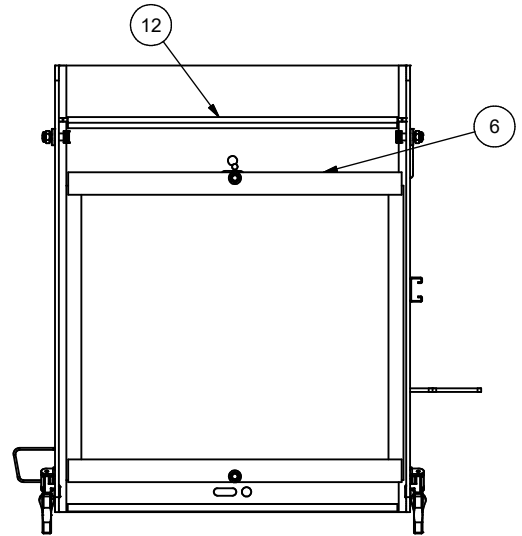
Battery Box Assembly



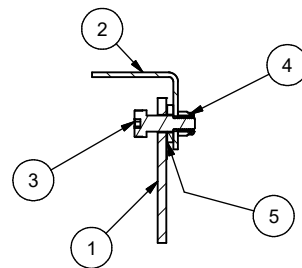
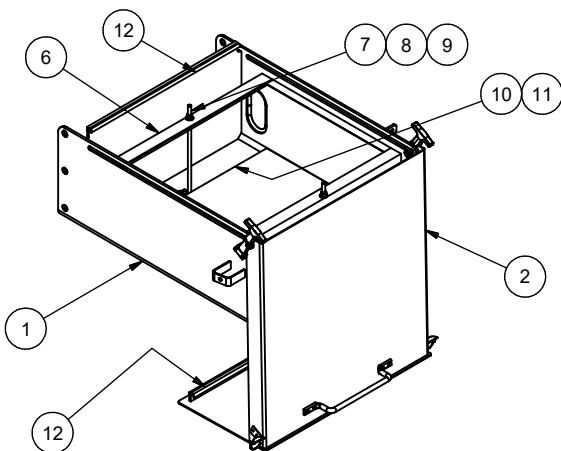
DETAIL B



DETAIL A



ITEMS 2 & 12 REMOVED FOR CLARITY



SECTION C-C

Item	Part No.	Qty	Description	Item	Part No.	Qty	Description
	598570		Battery Box Assembly				
1	598571	1	. Battery Box	7	519830	2	. Bar, J-Bolt
2	598572	1	. Lid, Battery Box	8	R13811191	2	. Locknut
3	591711	2	. Bolt, Shoulder	9	221767W	2	. Washer
4	302402W	2	. Locknut	10	523958	1	. Skid
5	221771W	2	. Washer	11	523957	1	. Pad
6	579300	1	. Holddown-Battery	12	598517-22	2	. Trim, Hatch Seal