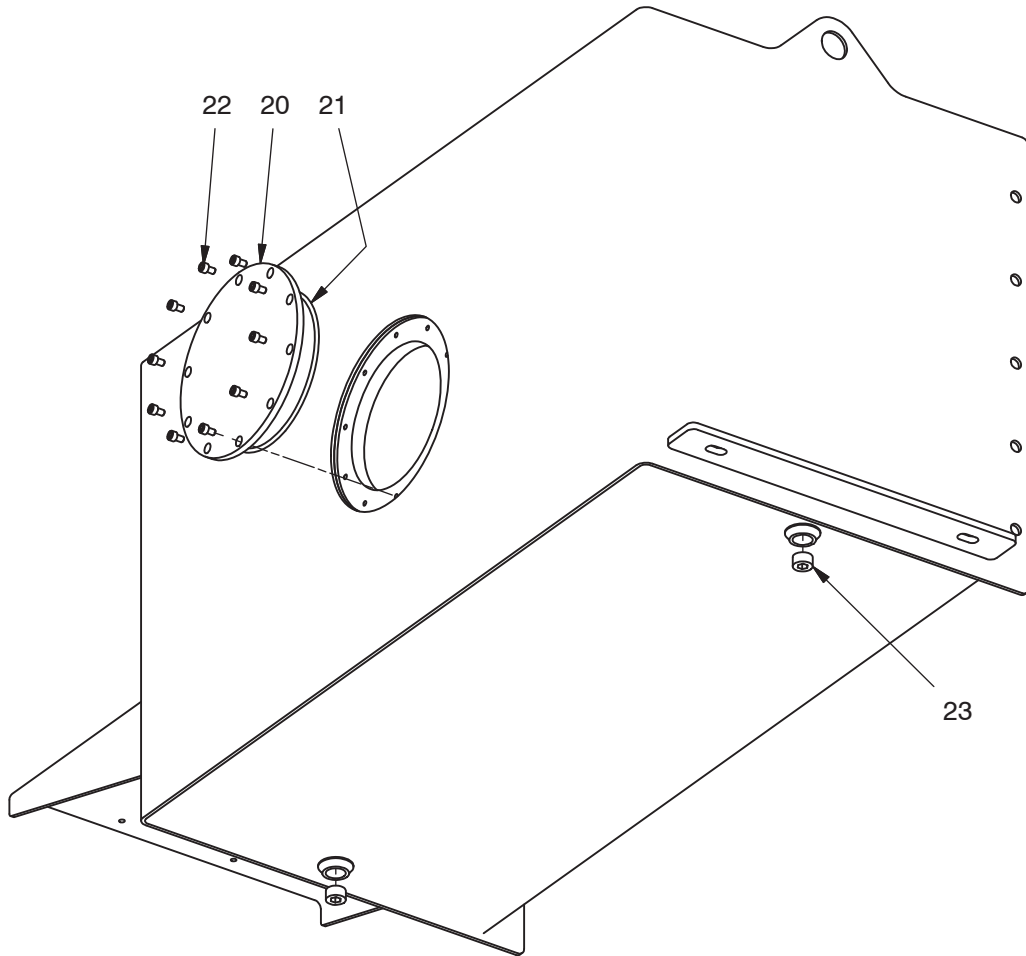


Fuel Tank



Item	Part No.	Qty	Description	Item	Part No.	Qty	Description
	598465		Fuel Tank				
20	591670	1	. Cover Plate	22	Y23C-M1016	10	. Capscrew
21	203496	1	. O-Ring	23	R565295	2	. Plug, Magnetic