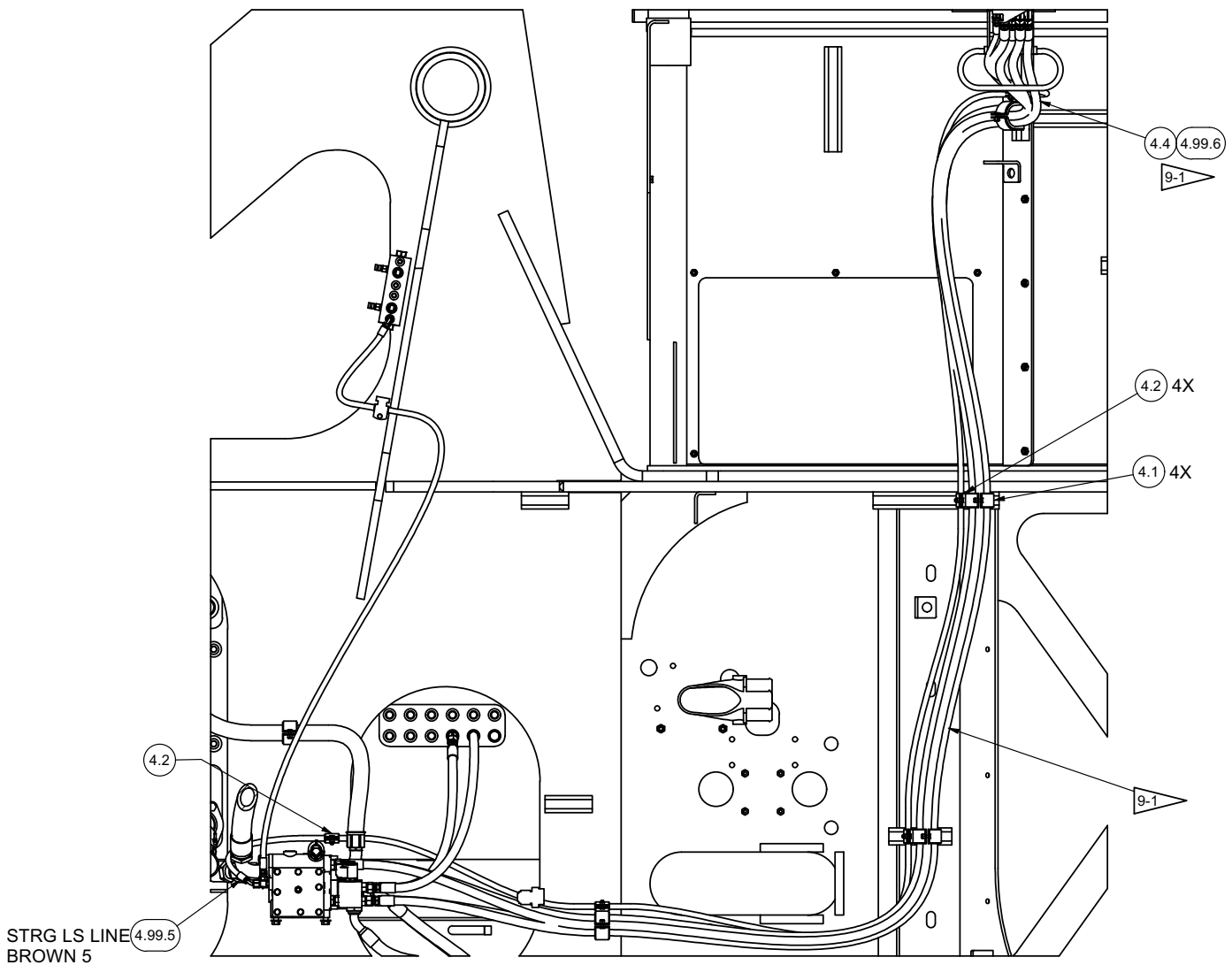


---

Hydraulic System - Steering, Base

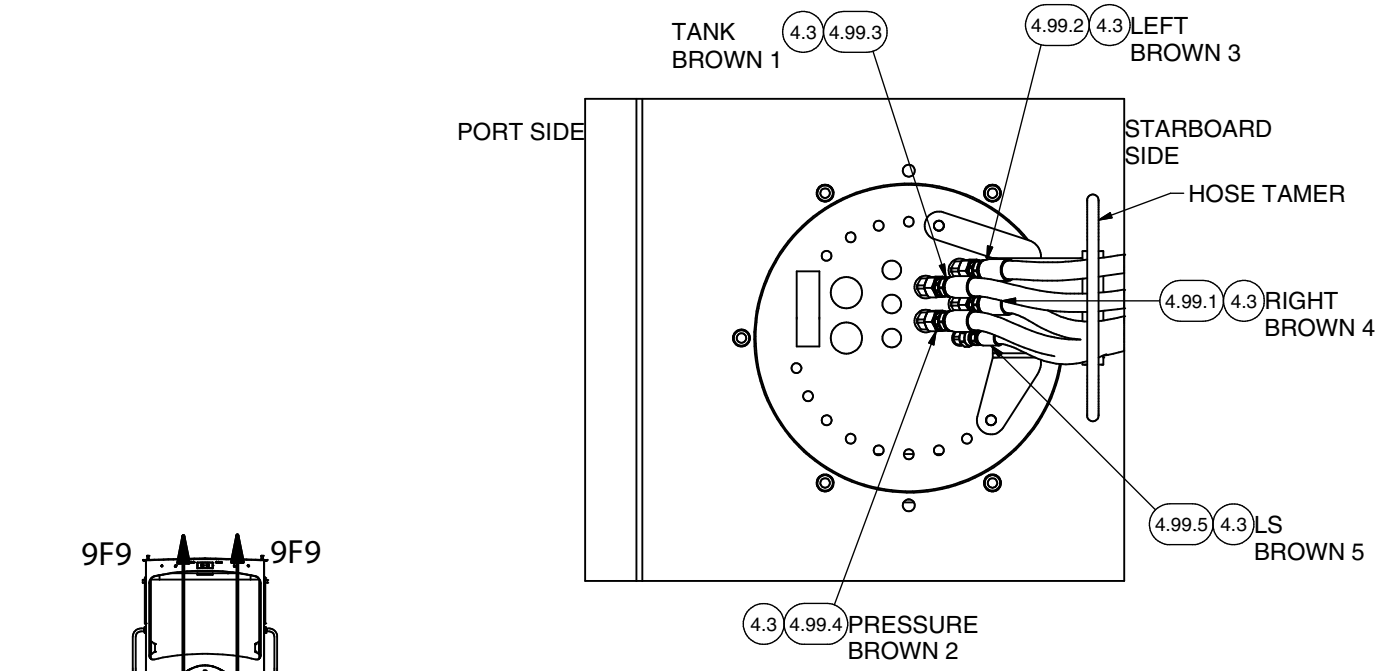
## Hydraulic System - Steering, Base

Item	Part No.	Qty	Description	Item	Part No.	Qty	Description
<b>598288 Hydraulic Sys - Steering, Base</b>							
4.1	CLP0100200	4	. Clamp	4.99	598291	1	. Hose Kit, Hyd Sys Strg, Base
4.2	231251	5	. Clamp	4.99.1	599851	1	.. Hose Assembly
4.3	242594	20	. Cable Tie (Brown)	4.99.2	599851	1	.. Hose Assembly
4.4	215462	1	. Hose Clamp	4.99.3	599851	1	.. Hose Assembly
				4.99.4	599851	1	.. Hose Assembly
				4.99.5	599852	1	.. Hose Assembly
				4.99.6	254777-154	1	.. Sleeve, Fire

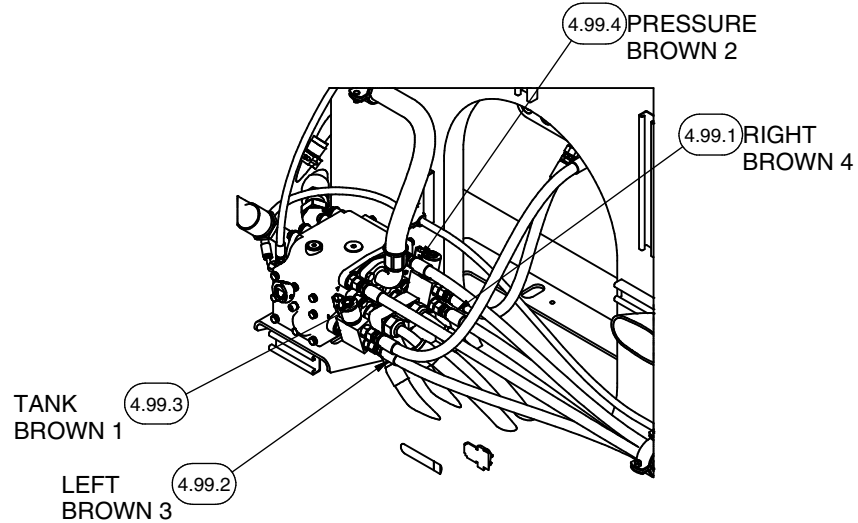
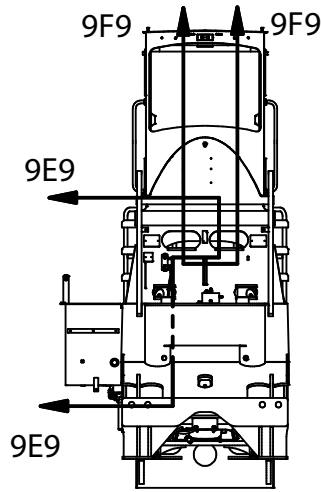


**SECTION 9E9-9E9**  
**POWER UNIT REMOVED FOR CLARITY**

# Hydraulic System - Steering, Base



**SECTION 9F9-9F9  
SEAT SWIEVL BULKHEAD PLATE**



**PROJECTED ISO VIEW  
OF FLOW AMP VIEW 9E9**

**NOTES:**



ITEMS 4.4 AND 4.99.6 ARE NOT SHOWN. THESE ITEMS ARE USED TO BUNDLE THE FOUR STEERING LINES UNDER CAB. SLEEVE AND SECURE THE TRAILING END OF THE FIRE SLEEVE IN LAST HYDRA-ZORB CLAMP BEFORE HYDRUALIC TANK. USE ITEM 4.4 TO SECURE LOOSE END UNDER CAB SUCH THAT THE FIRE SLEEVE DOES NOT SLIP DOWN.

9-2. ITEM 4.3 IS USED TO LABEL HOSES, USE NUMBER AND COLOR PER LABEL ON EACH END OF HOSE.