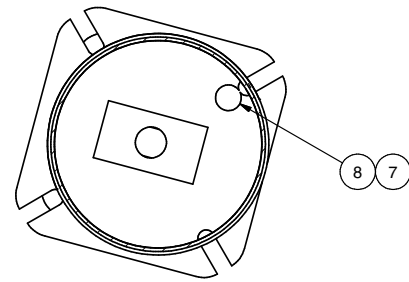
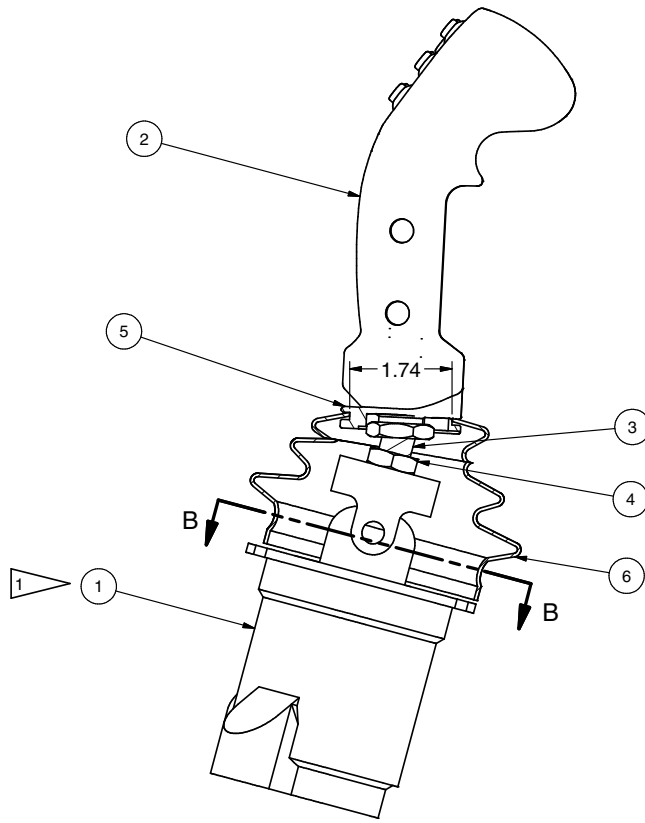
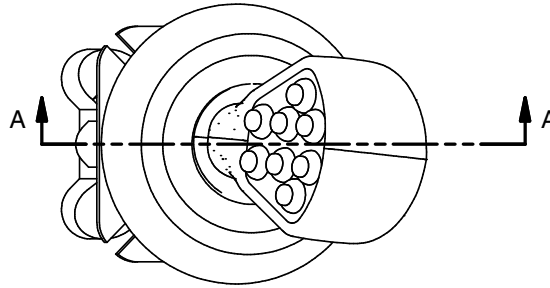


Joystick Assembly, 2 BUTTON



SECTION B-B

SECTION A-A

NOTE:
1: BASE MAY BE DIFFERENT THEN PICTURED.

Item	Part No.	Qty	Description	Item	Part No.	Qty	Description
	597076		Joystick Assembly, 2 BUTTON				
1	* 589619	1	. Valve, Pilot	6	249617	1	. Bellows
2	* 594550	1	. Handle, Joystick	7	587019	2IN	. Loom, Wire
3	581587	1	. Rod	8	249329	2	. Cable Tie
4	251330	1	. Jam Nut				
5	251324	1	. Adapter, Boot				* See Separate Coverage