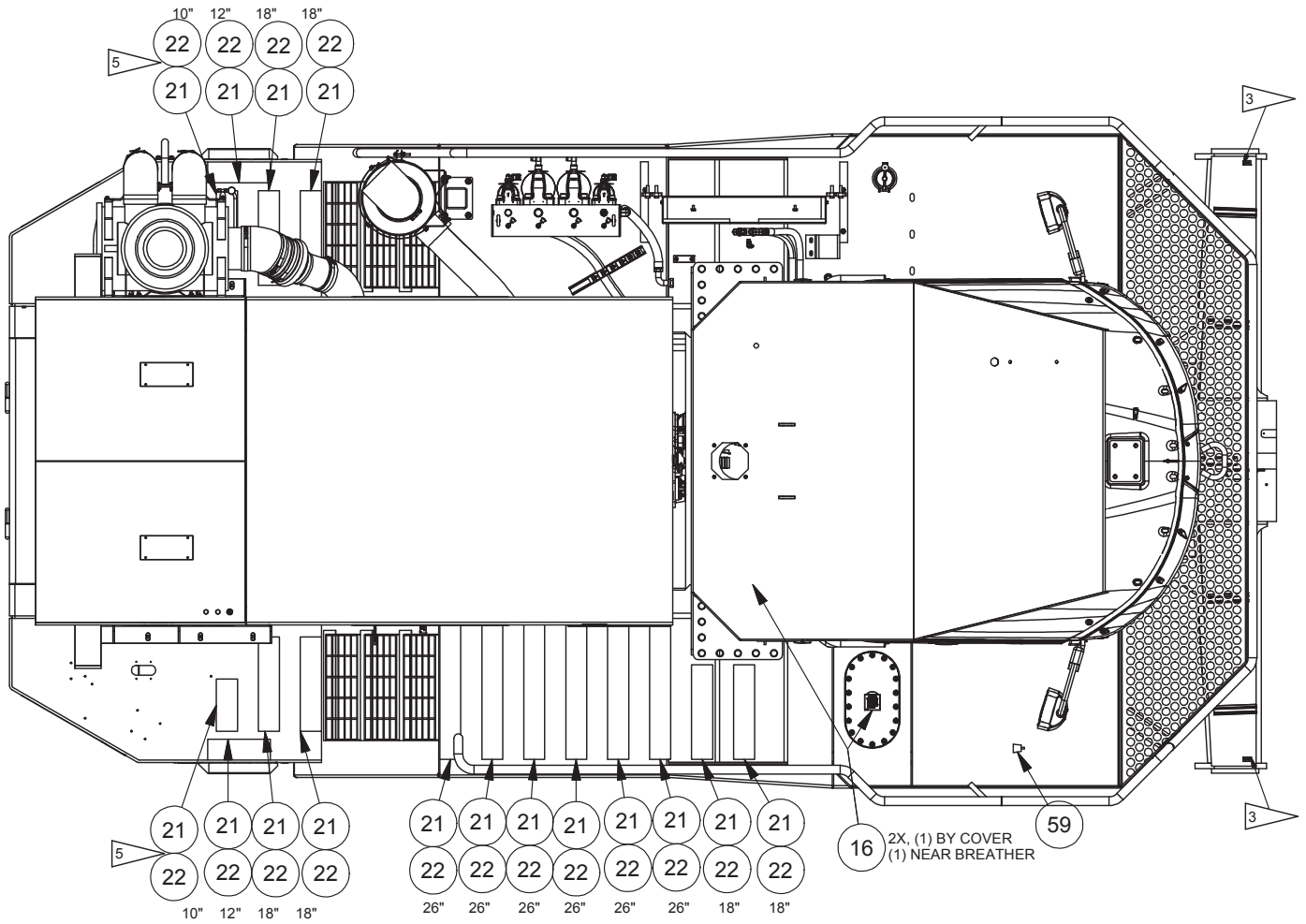

Decal Location & Misc. Parts

Decal Location & Misc. Parts

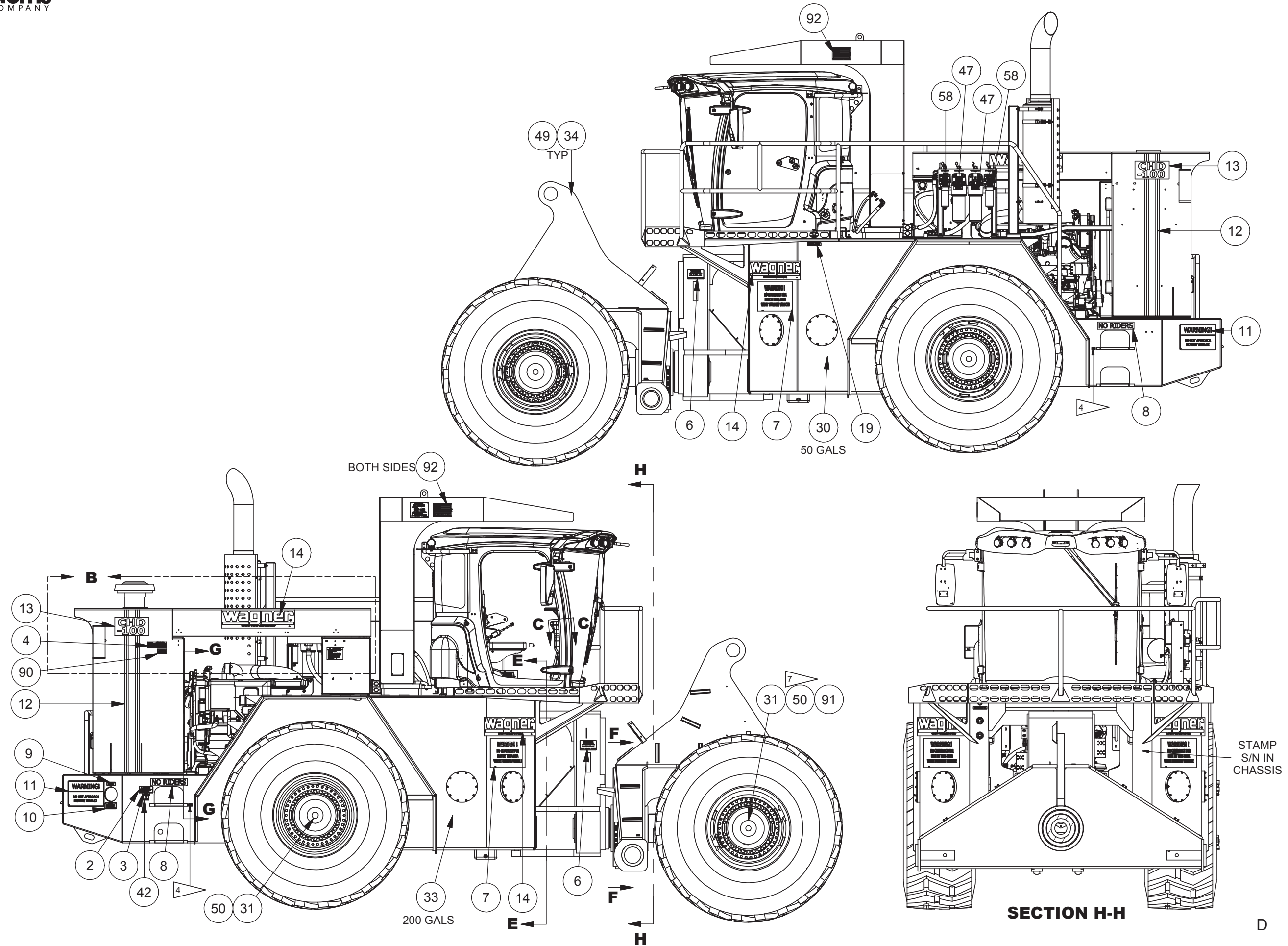
Item	Part No.	Qty	Description	Item	Part No.	Qty	Description
	597051		Decal Location & Final Ass'y Parts				
2	576856	1	. Decal, Warning, Welding	57	588744	2	. Element, Filter
3	R10754	1	. Decal, Warning, Battery	58	588745	2	. Decal, Element
4	558098	1	. Nameplate & Serial Number	59	200325	1	. Stop, Door
5	557202	1	. Decal, Hydraulic Oil	60	587058	1	. Label, Implement Pump Inlet
6	576139	2	. Decal, Warning, No Clearance	61	587059	1	. Label, Steering Pump Inlet
7	545430	4	. Decal, Warning, No Clearance	62	587060	1	. Label, Tilt Pump Inlet
8	547453	2	. Decal, No Riders	63	587061	1	. Label, Radiator Fan Pump Inlet
9	539197	1	. Decal, Fire Extinguisher	64	587062	1	. Label, Tilt Pump Pressure
10	539226	1	. Decal, Fire Extinguisher	65	587065	1	. Label, Radiator Fan Pump Pressure
11	547451	2	. Decal, Warning, Moving Vehicle	66	587066	1	. Label, Implement Pump Pressure
12	529474	18'	. Decal, Racing Stripe	67	587067	1	. Label, Steering Pump Pressure
13	570517	2	. Decal, CHD100	68	587068	1	. Label, Brake Pump Pressure
14	558506	4	. Decal, Wagner	69	587069	1	. Label, Orbitrol Supply Pressure
16	557353	2	. Decal, Filter Pressure	70	587070	1	. Label, Brake System Pressure
17	557118	1	. Decal, Trans Oil Fill	71	587071	1	. Label, Pilot System Pressure
18	528880	1	. Decal, Trans Oil Level/Idle	72	587072	1	. Label, Brake Cooling Inlet
19	557201	1	. Decal, Diesel Fuel	73	587073	1	. Label, Brake Cooling Return
20	579532	1	. Decal, Replace Element	74	587090	1	. Label, Steering Filter
21	219382	1RL	. Tape, Non-Skid	75	587091	1	. Label, Main Filter
22	222737	2TB	. Sealer, Edge	76	587092	1	. Label, Brake/Pilot Filter
24	R10749	1	. Decal, Trans Oil Filter	77	587093	1	. Label, Hydraulic Cool Fan Filter
25	570048	1	. Decal, Windshield Washer Fluid	78	587094	1	. Label, Rad/CAC Fan Filter
26	587386	2	. Element, Filter	79	587095	1	. Label, Transmission Pressure
28	221340	40GL	. Anti-Freeze	80	587096	1	. Label, Converter In Pressure
29	236077	11GL	. Oil, Engine	81	587097	1	. Label, Converter Out Pressure
30	219373	110GL	. Oil, Diesel Fuel	82	587098	1	. Label, Strainer In Pressure
31	235720	40GL	. Lubricant, Gear	83	587099	1	. Label, Strainer Out Pressure
32	219374	7LB	. Oil, Grease	84	587100	1	. Label, Trans Lube Pressure
33	238206	305GL	. Oil, Hydraulic	85	587101	1	. Label, Forward Clutch Pressure
34	243090	18GL	. Paint, Yellow Primer	86	587102	1	. Label, Reverse Clutch Pressure
41	581855	1	. Decal, Warning, Hood Support	87	587103	1	. Label, Return Filter
42	557494	1	. Decal, Battery Disconnect	88	587104	1	. Label, Transmission Filter
43	542919	3200LB	. Calcium Pellets	89	587105	1	. Label, Transmission Strainer
46	563641	1	. Decal, Oil Check	90	906581	1	. Decal, Emission Control
47	587607	2	. Decal, Filter Element	91	242864	1GL	. Elf Lube Additive
49	242997	20GL	. Paint, Yellow	92	FD70000434	2	. Decal, Manuf in USA
50	246089	5GL	. Paint, Freeman White Acrylic	93	209091	4	. Fitting
51	243458	2	. Element, Filter	94	209088	4	. Fitting
53	578763	1	. Kit, Shipping/Bucket Frame	95	597483	1	. Decal, Steering Column
55	247429	2	. Element, Filter				

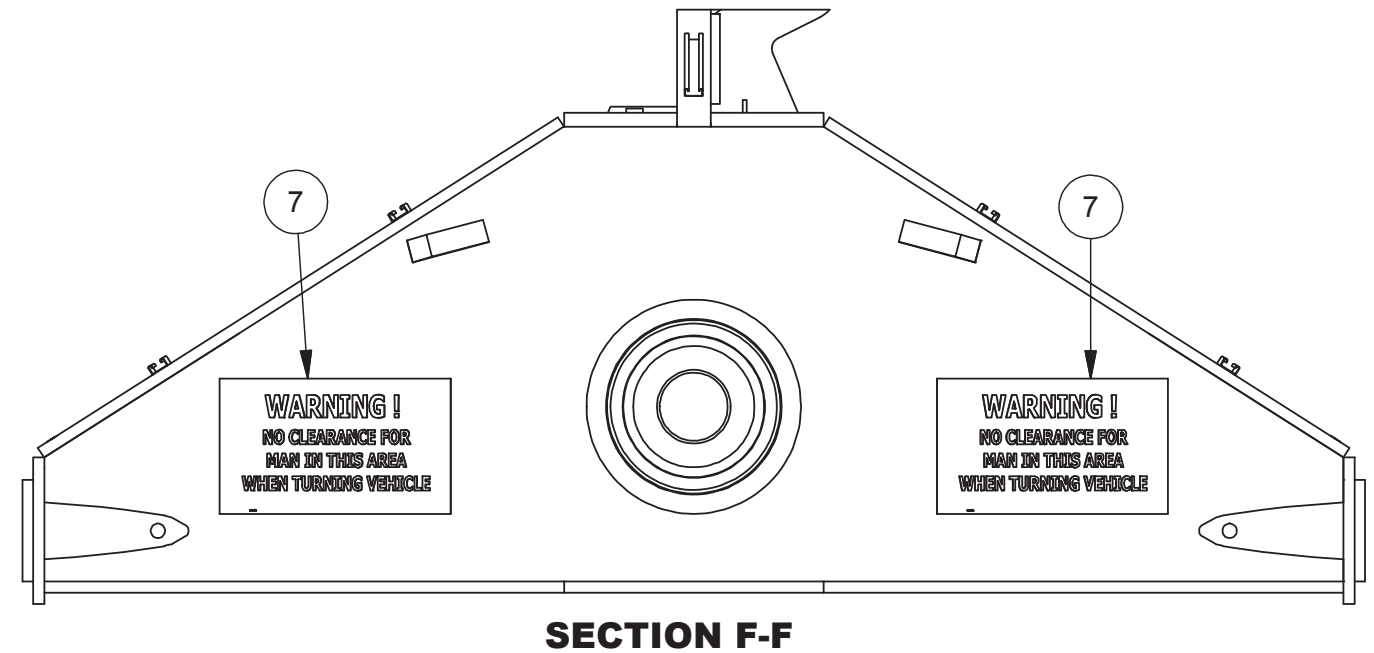
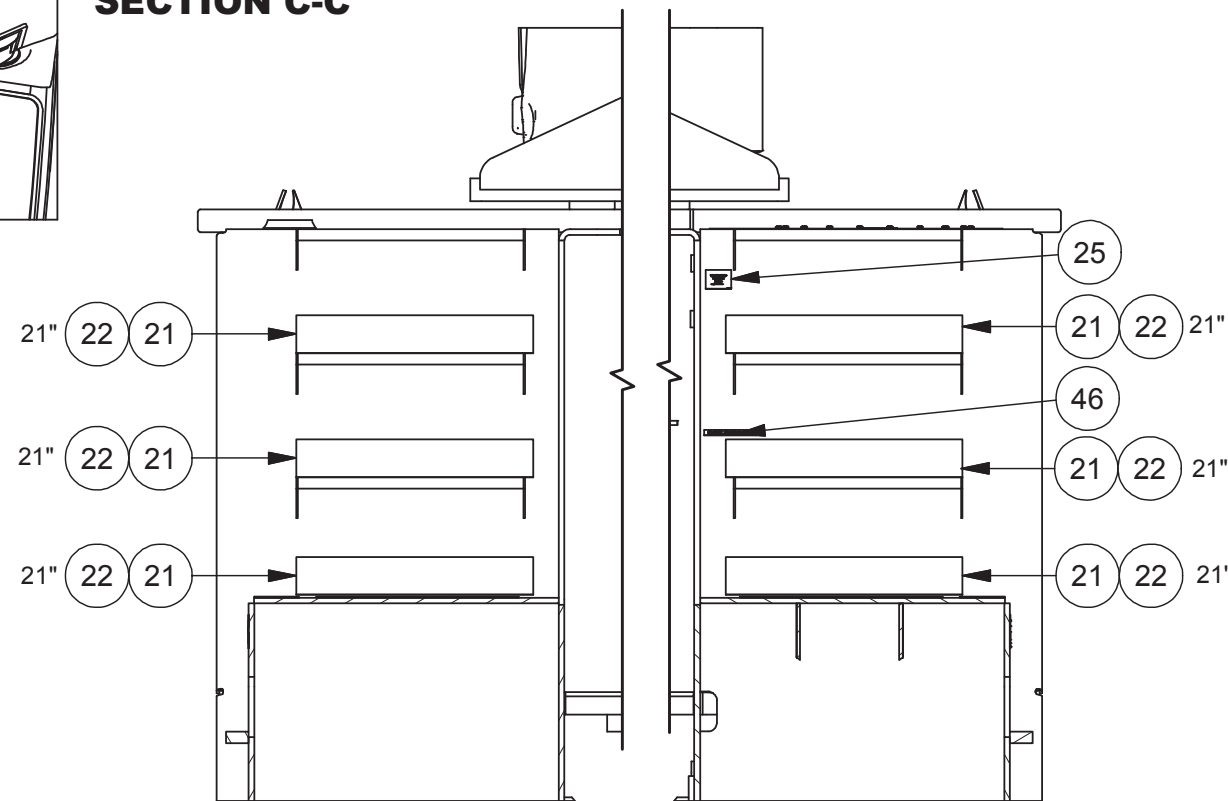
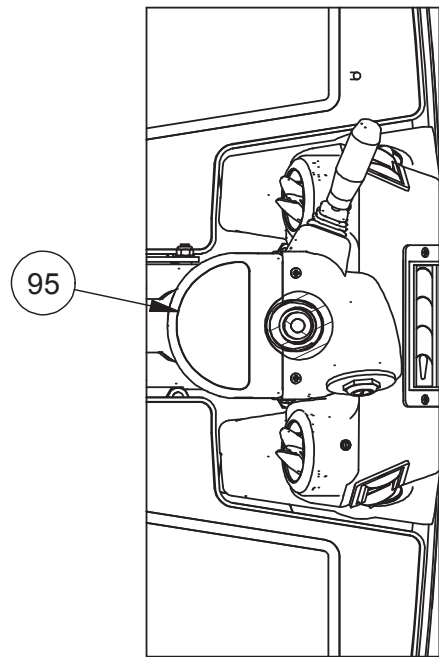
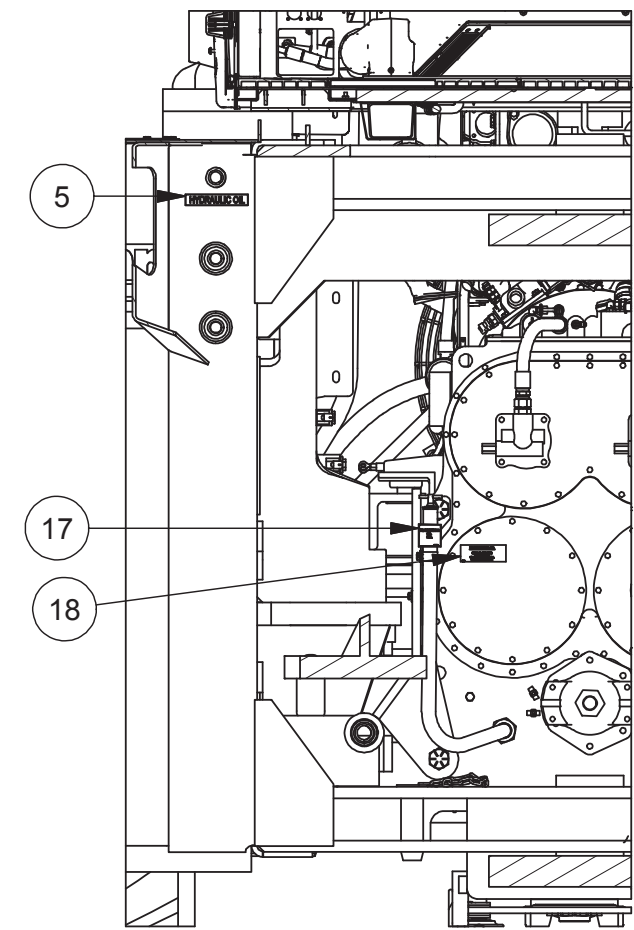
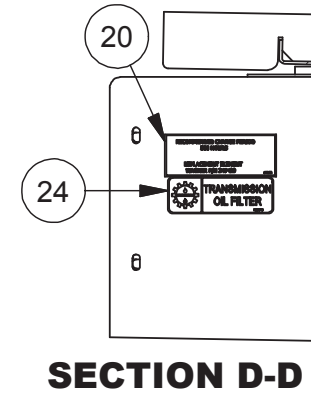
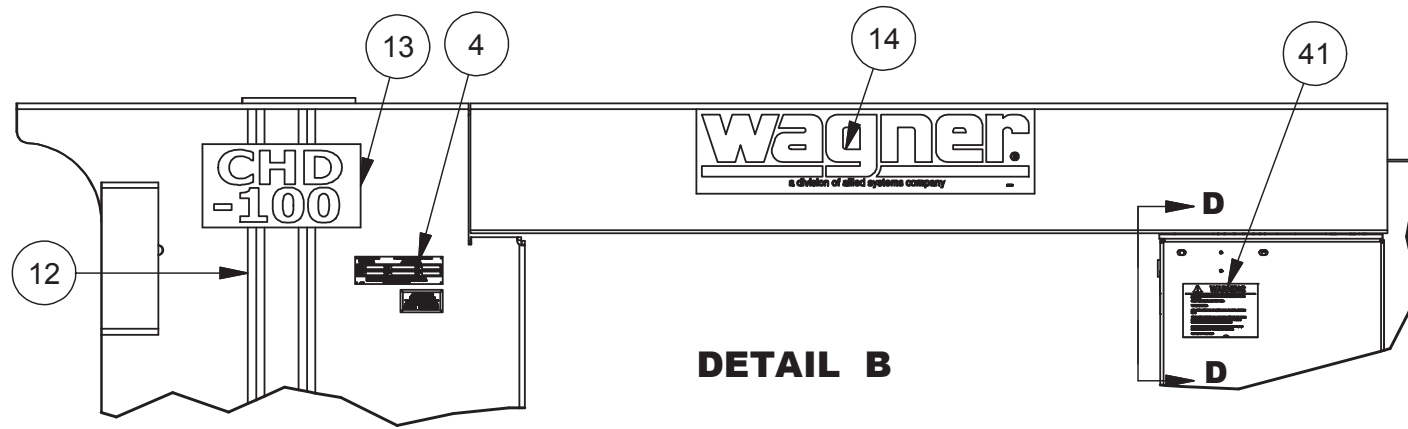


NOTES:

2. ITEMS NOT SHOWN
 28, 29, 32 ALL LUBE POINTS, 43, 53, 60 THRU 89

- 3 STAMP "65 PSI"
- 4 STAMP "55 PSI"
- 5 NON SKID TAPE TO WRAP OVER EDGE- BOTH SIDES.
- 7 FRONT AXLE RATIO OF LIMITED SLIP ADDITIVE TO GEAR OIL IS 3% TO 6%. A BATCH OF GEAR OIL OF 20 GAL 80W-90 AND 1 GAL OF ADDITIVE WILL YIELD A 5% MIX TO BE ADDED TO FRONT AXLE AS REQUIRED TO FILL.
- 8 INSTALL ITEM 25 NEAR WINDSHIELD WIPER





SECTION G-G