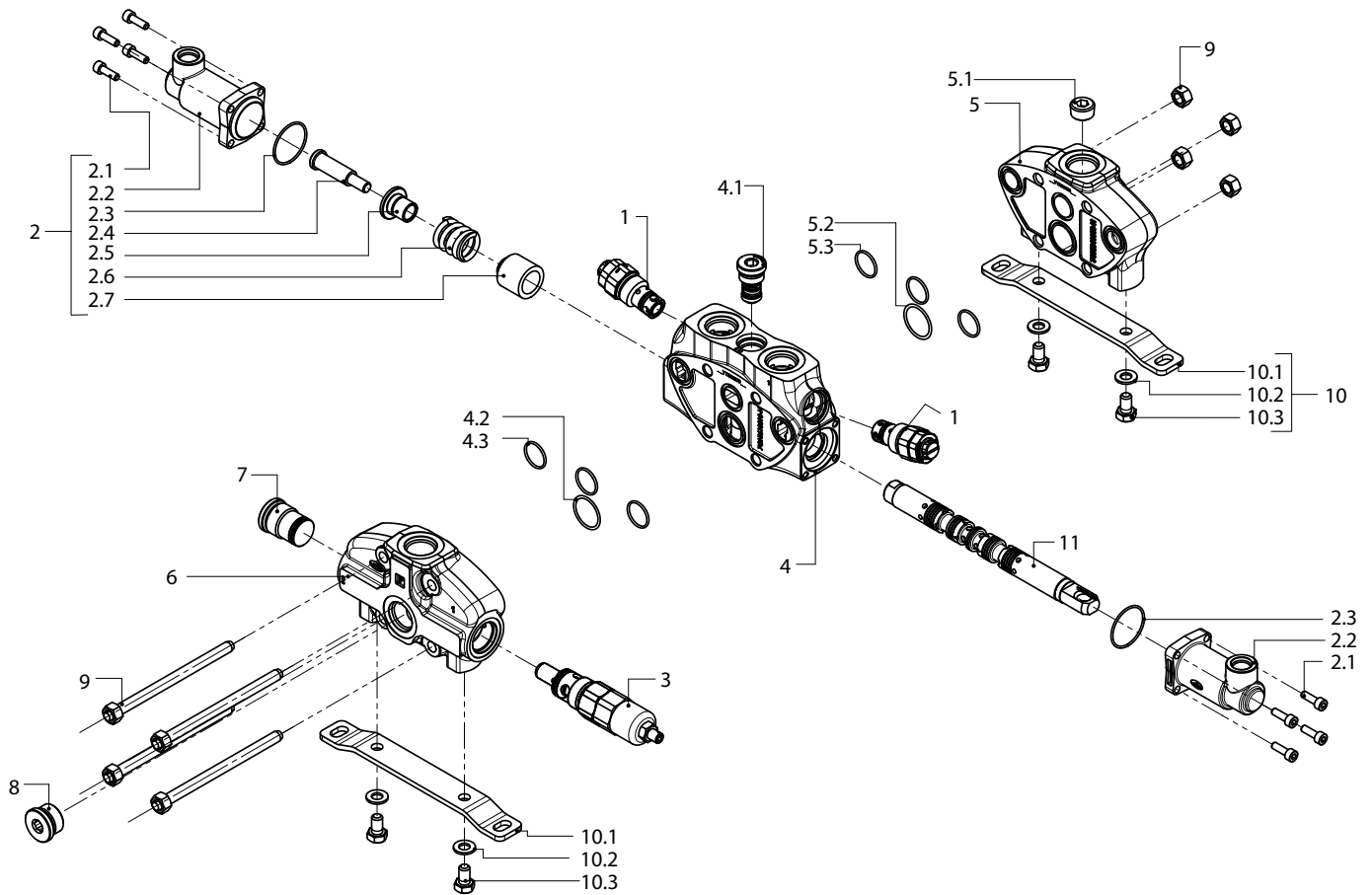


Valve Assembly



Item	Part No.	Qty	Description	Item	Part No.	Qty	Description
597021 Valve Assembly							
1	*b 597437	2	. Valve, Port Relief	7	*b 597455	1	. Plug
2	597438	2	. Cap Assembly	8	*c 597456	1	. Plug
2.1	*e 597444	8	.. Capscrew	9	*d 597457	1	. Kit, Tie Rod
2.2	597445	2	.. End Cap	10	597458	1	. Kit, Mounting Bracket
2.3	* 597443	2	.. O-Ring	10.1	597459	2	.. Bracket
2.4	*a 597446	1	.. Screw; Spring Retainer	10.2	597460	4	.. Washer
2.5	597447	1	.. Spring Bushing	10.3	*c 597461	4	.. Capscrew
2.6	597448	1	.. Spring	11	NSS	1	. Spool
2.7	597449	1	.. Spool Bushing				* Included in valve assembly seal kit: 597440
3	*b 597439	1	. Relief Valve				*a Torque: 9.8 N/m - 7.228 lb.ft
4	597450	1	. Valve Section				*b Torque: 42 N/m - 30.98 lb.ft
4.1	*b 597451	1	.. Plug				*c Torque: 24 N/m - 17.7 lb.ft
4.2	* 597442	1	.. O-Ring				*d Torque: 30 N/m - 22.13 lb.ft
4.3	* 597441	3	.. O-Ring				*e Torque: 6.6 N/m - 4.868 lb.ft
5	597452	1	. Outlet Cover				NSS Not Sold Separately
5.1	*b 597453	1	.. Plug				
5.2	* 597442	1	.. O-Ring				
5.3	* 597441	3	.. O-Ring				
6	597454	1	. Inlet Cover				