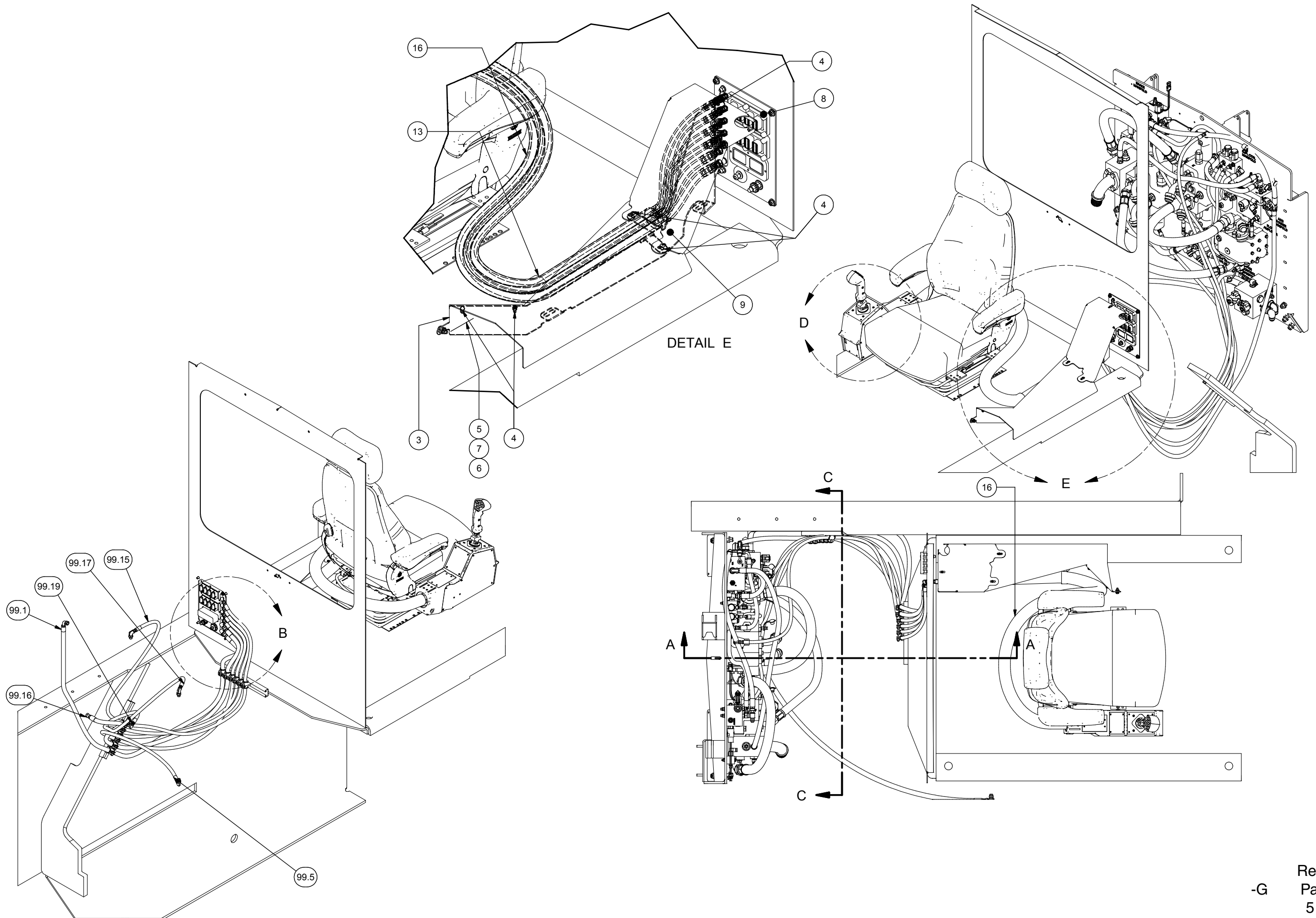
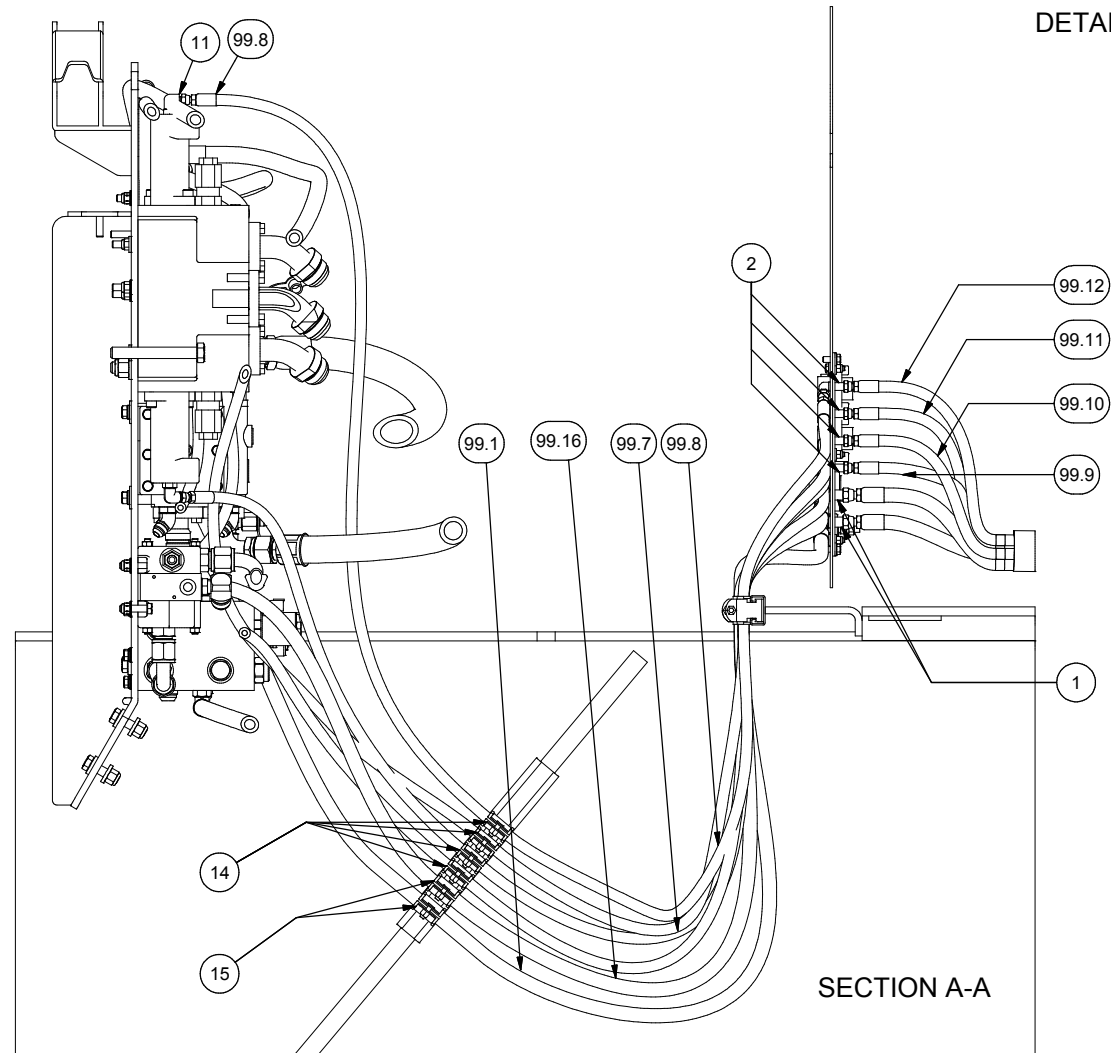
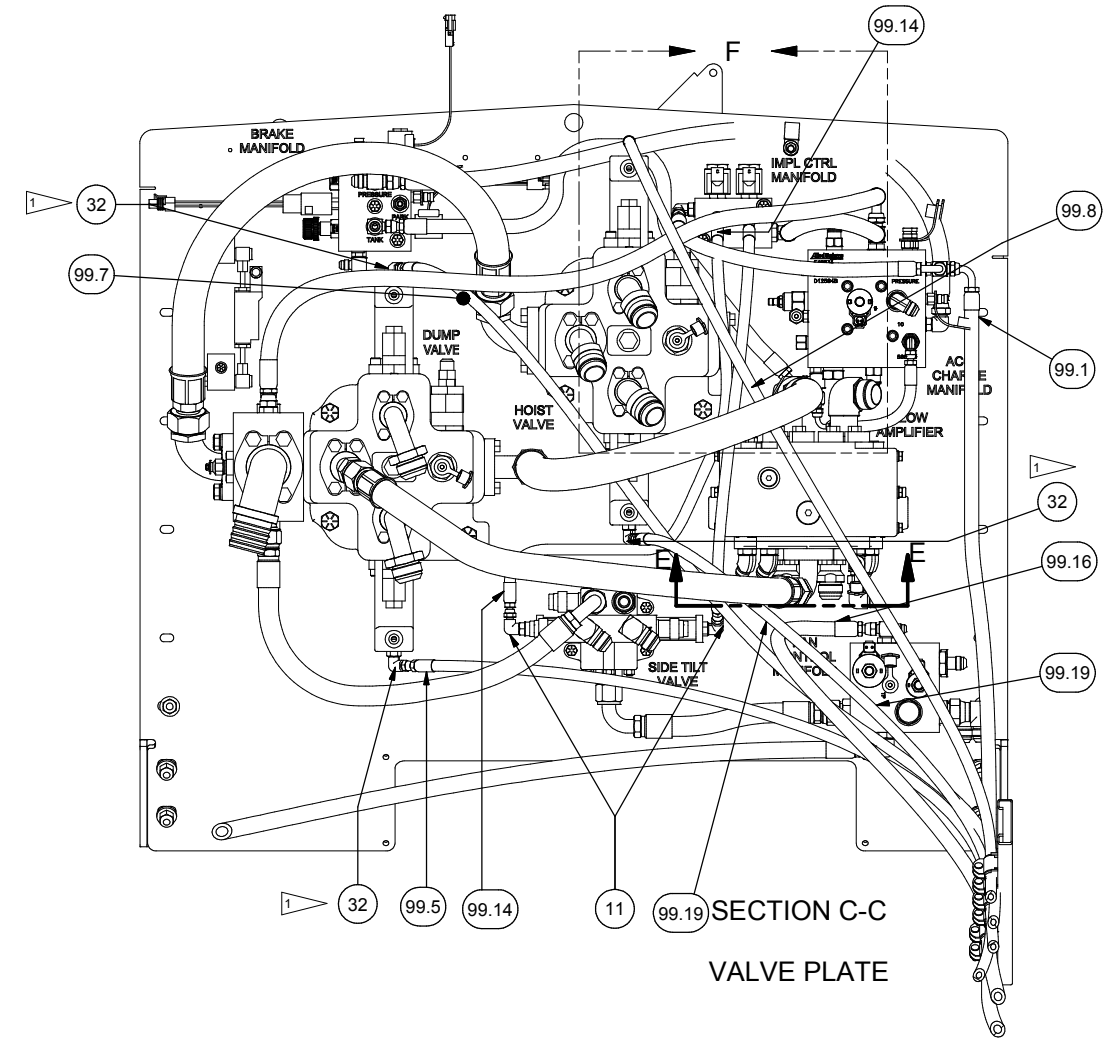
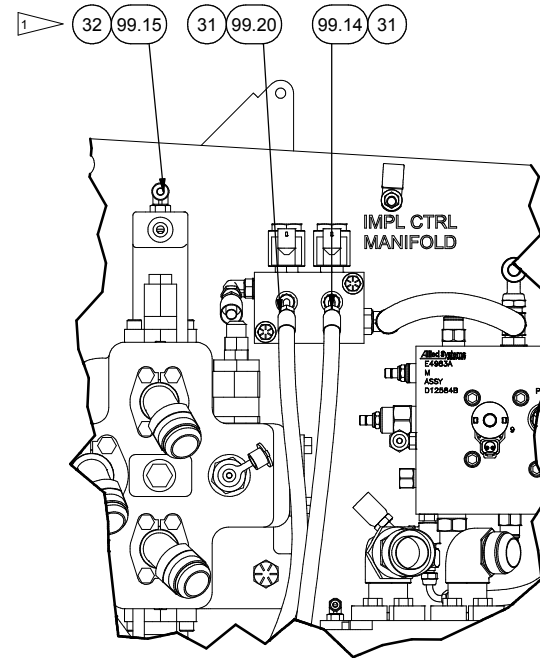
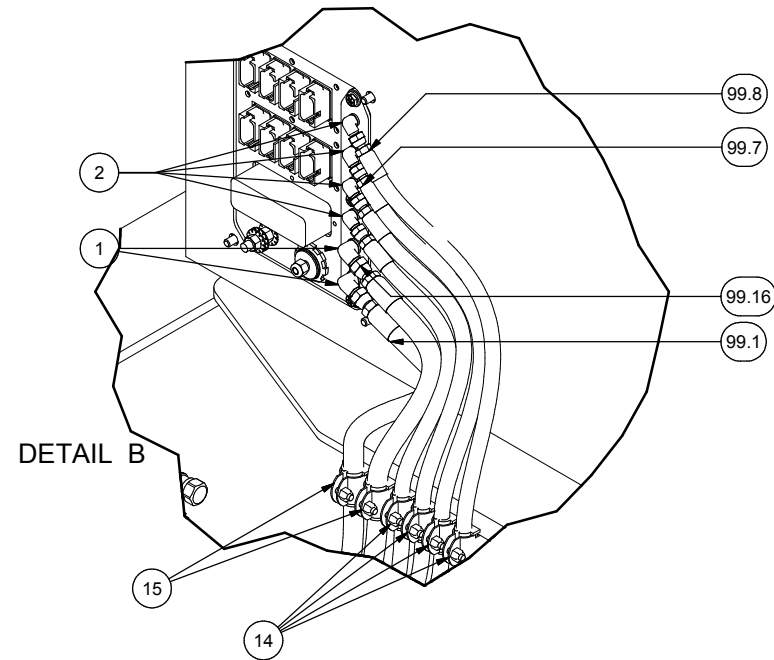

Implement Control Installation

Implement Control Installation

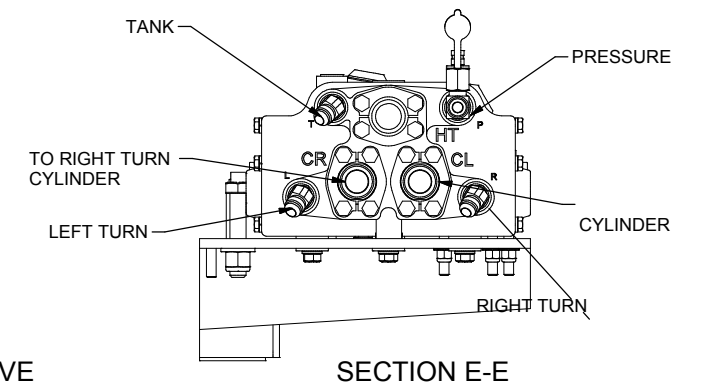
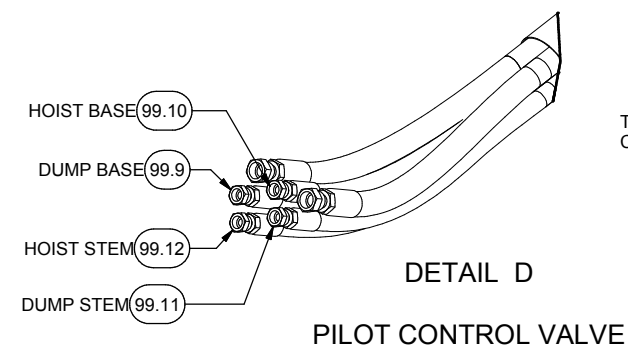
Item	Part No.	Qty	Description	Item	Part No.	Qty	Description
	597017		Implement Control Installation				
1	24229	2	. Fitting	32	224774	4	. Fitting
2	23543	4	. Fitting	99	596534	1	. Kit, Hose
3	588343	1	. Cover Assembly, Wire/Hose	99.1	589540	1	.. Hose Assembly
4	18720W	5	. Capscrew	99.2	R12578271	1	.. Hose Assembly
5	R13810992	1	. Capscrew	99.3	589526	1	.. Hose Assembly
6	221763W	1	. Hard Washer	99.4	589526	1	.. Hose Assembly
7	264150W	1	. Nut	99.5	227475	1	.. Hose Assembly
8	588339	1	. Plate	99.6	589527	1	.. Hose Assembly
9	588341	1	. Cover Plate	99.7	220470	1	.. Hose Assembly
11	223784	2	. Fitting	99.8	28919	1	.. Hose Assembly
13	209704	1	. Clamp	99.9	589528	1	.. Hose Assembly
14	231251	8	. Clamp	99.10	227722	1	.. Hose Assembly
15	231537	4	. Clamp	99.11	589529	1	.. Hose Assembly
16	R12577882	6'	. Sleeve	99.12	28919	1	.. Hose Assembly
31	209083	2	. Fitting	99.13	28973	1	.. Hose Assembly
32	223784	4	. Fitting	99.14	R14786	1	.. Hose Assembly



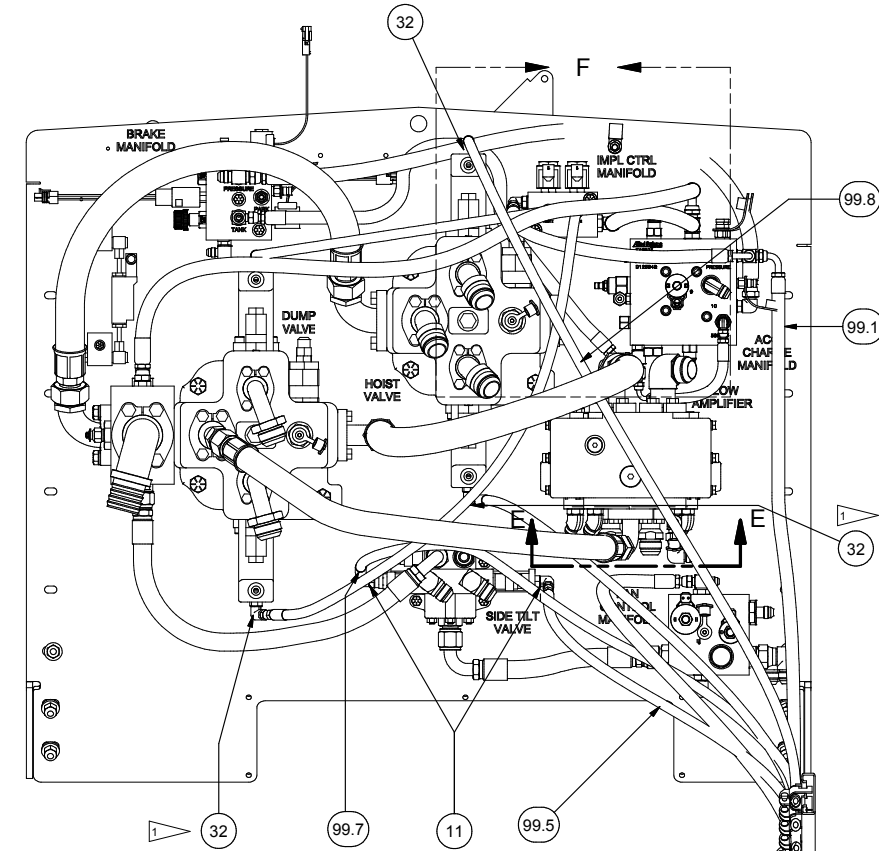
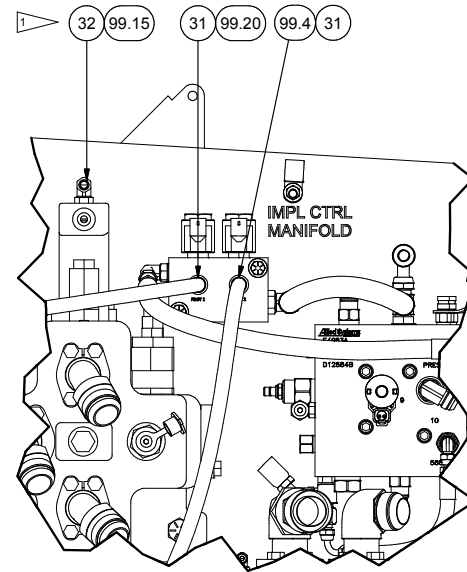
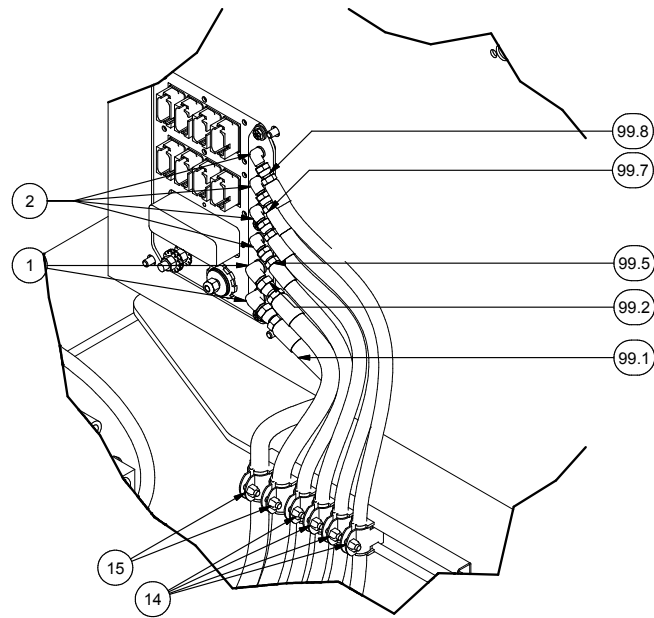
ELEC/PILOT SIDE TILT CONTROL



▶ INSTALL IN TOP OR SIDE PORT



ELEC/PILOT BUCKET DUMP CONTROL



▶ INSTALL IN TOP OR SIDE PORT

