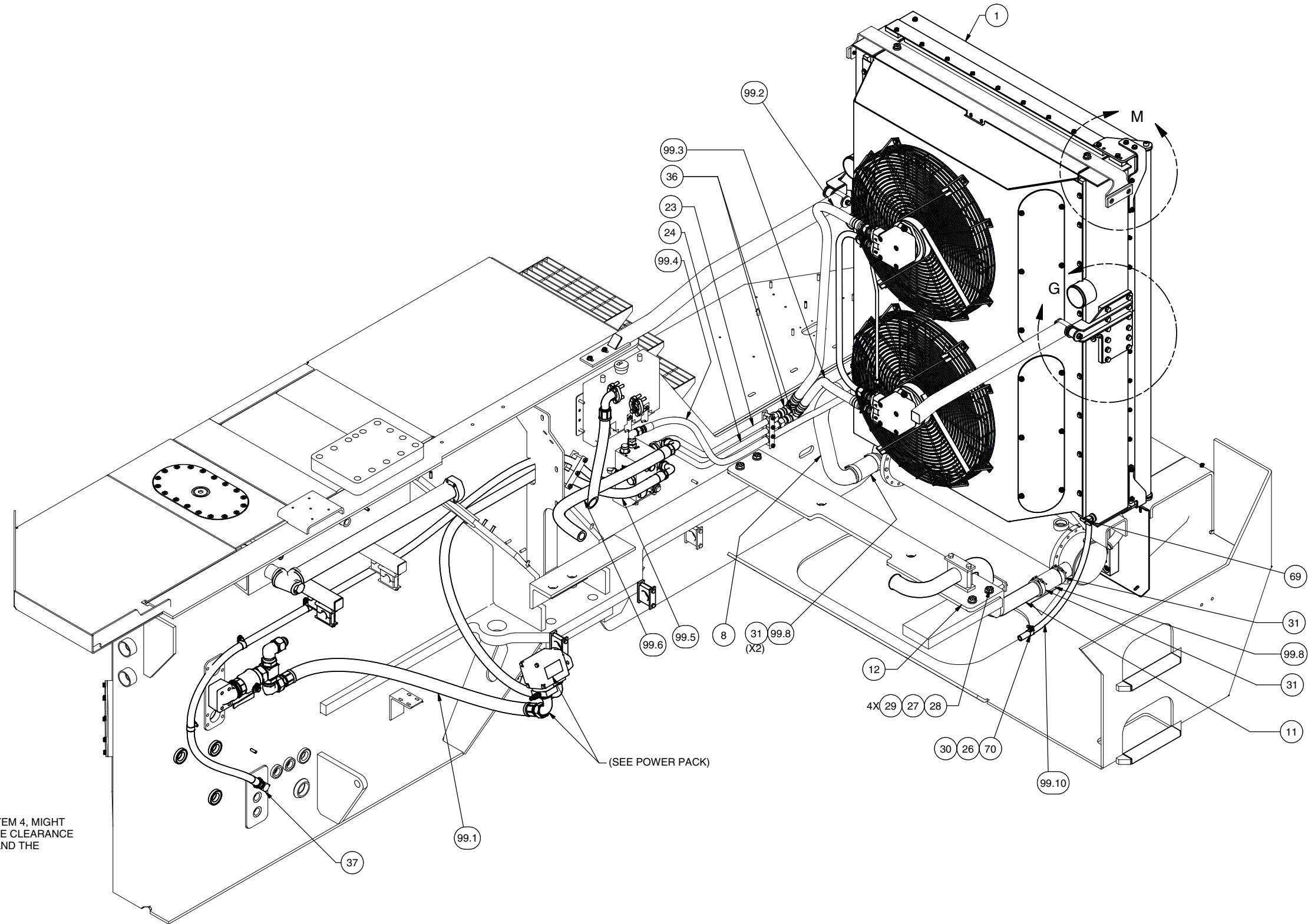

Cooling System Installation

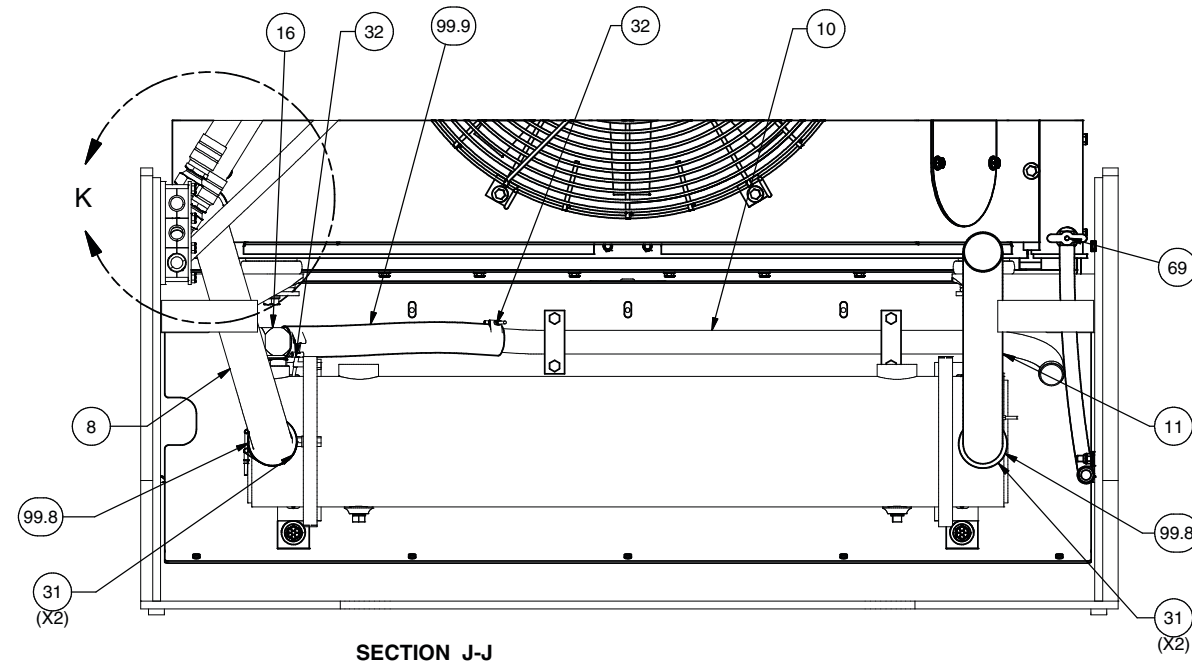
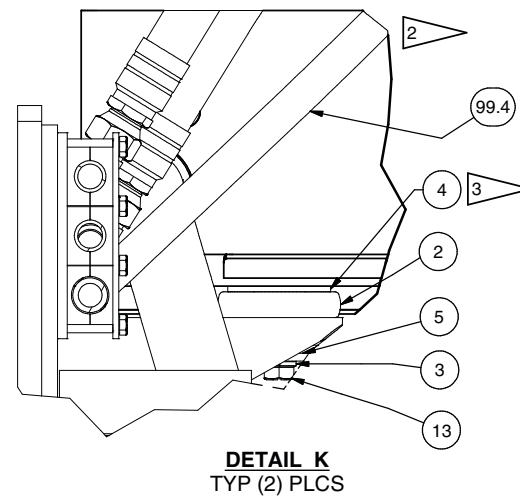
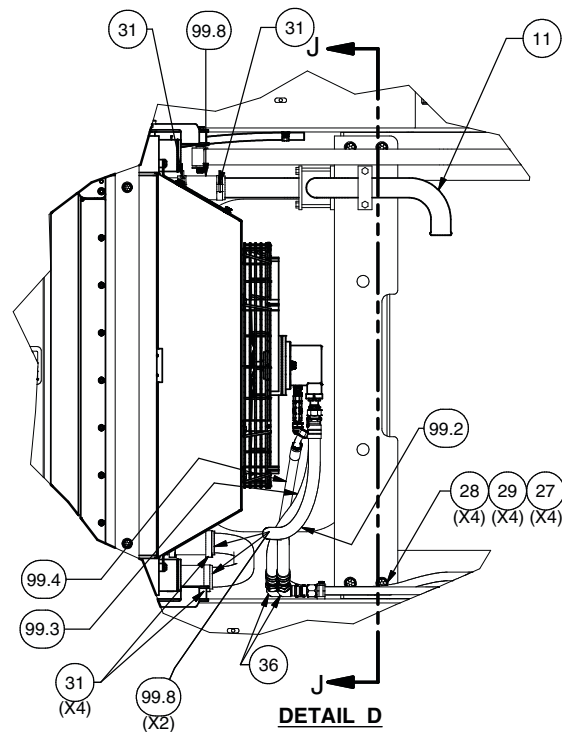
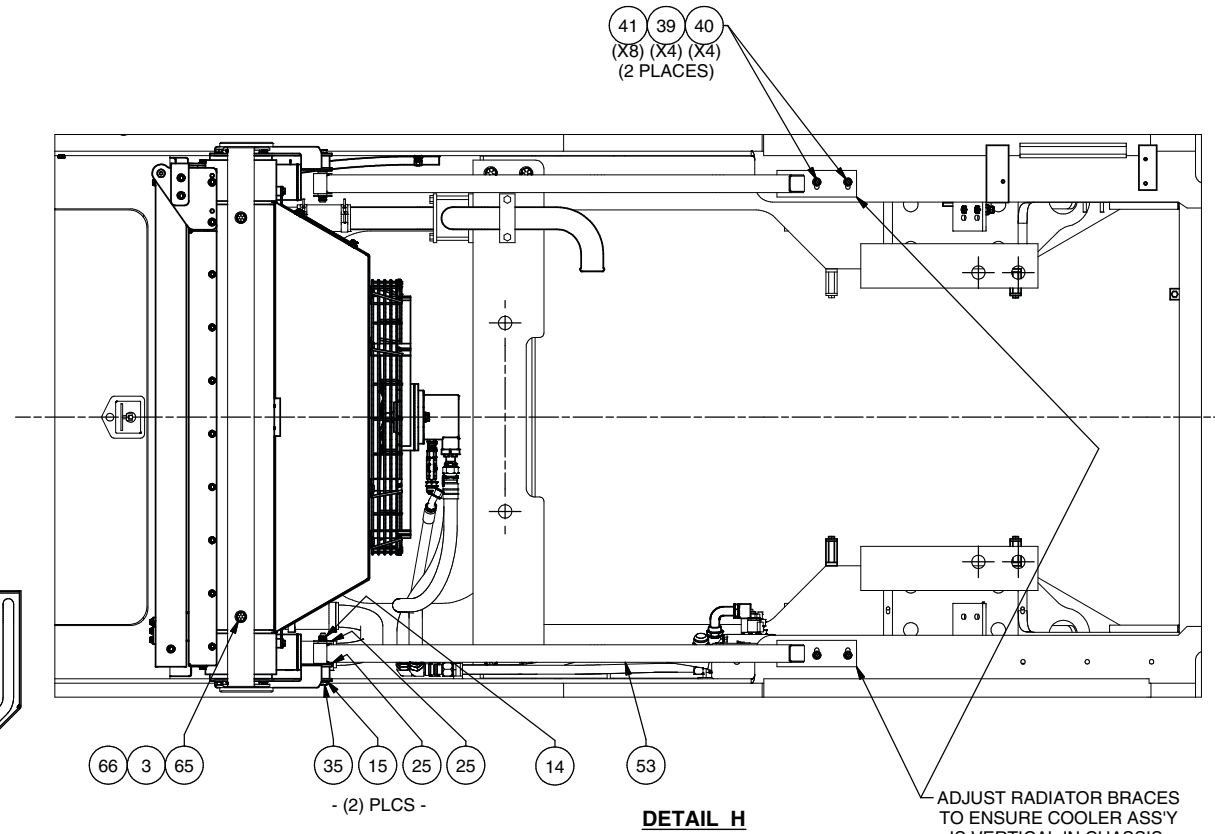
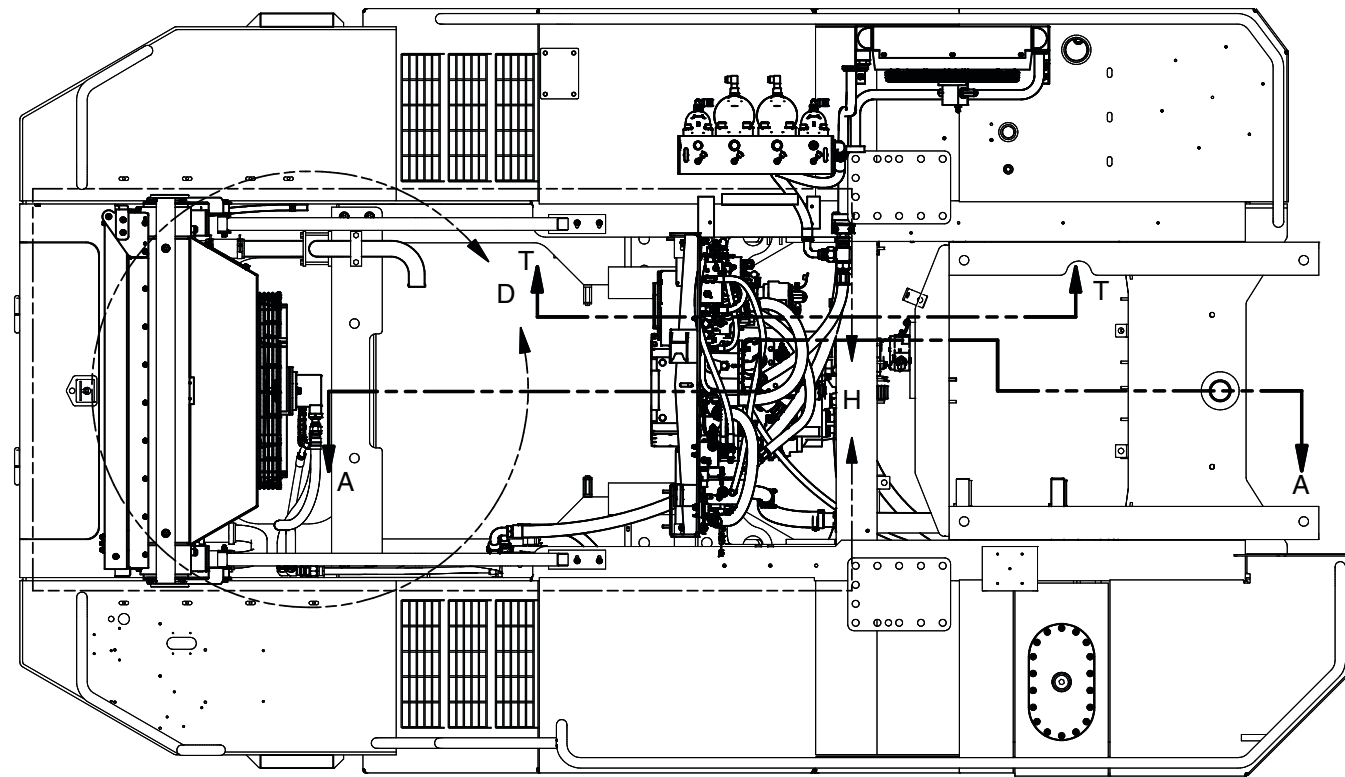
Cooling System Installation

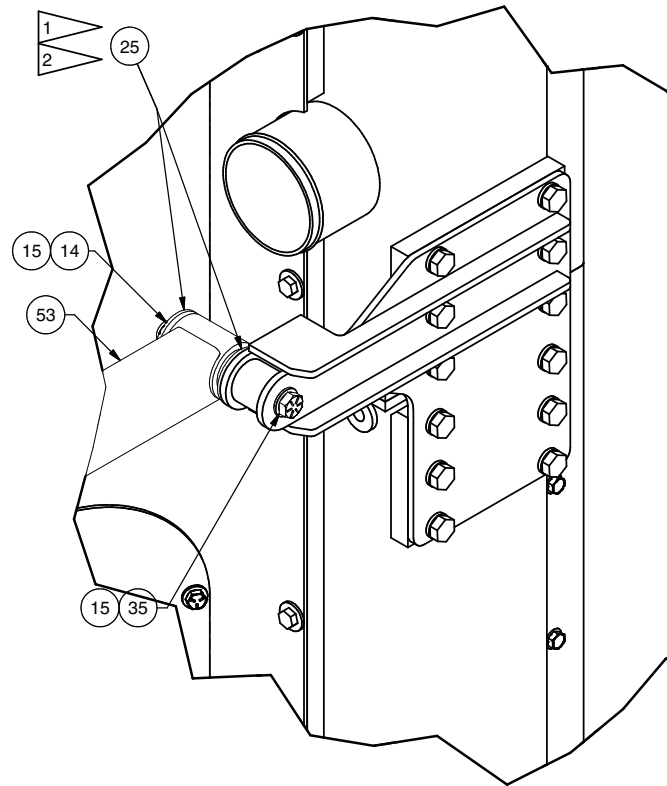
Item	Part No.	Qty	Description	Item	Part No.	Qty	Description
	596160		Cooling System Installation				
1	* 596162	1	. Radiator Assembly	35	R13801857	2	. Capscrew
2	234497	2	. Vibration Dampener	36	210069	2	. Fitting
3	00103325	4	. Lockwasher	37	12666	1	. Fitting
4	557376	A/R	. Flat Washer	38	Y73G-0716	4	. Capscrew
5	551132	2	. Washer, Snub	39	R13805167	4	. Locknut
6	* 253988	1	. Manifold Assembly	40	R13801834	4	. Capscrew
8	596511	1	. Tube, Water Jacket	41	R13811432	8	. Washer
9	583452	2	. Tube	42	210084	1	. Fitting
10	596513	1	. Tube, Water Jacket	53	583588	2	. Brace Assembly, Radiator
11	596512	1	. Tube, Water Jacket	60	583888	2	. Block
12	583462	1	. Crossmember	61	583885	1	. Brace, Hardnose
13	221636W	2	. Capscrew	62	583889	2	. Pad
14	R13811193	2	. Nut, Esna	63	Y09G-0516	4	. Capscrew
15	201569	2	. Washer	64	00114502	4	. Jam Nut
16	596605	1	. Fitting	65	Y17C-1032	2	. Capscrew
17	209715	1	. Fitting	66	R13802631	2	. Flat Washer
18	209619	1	. Fitting	67	209166	1	. Fitting
19	R2528352	4	. Clip, Insulated	68	R14040	1	. Coupler, Male
20	209323	2	. Fitting	69	590483	1	. Bib, Draincock
21	209215	2	. Fitting	70	209698	1	. Clip, Insulated
22	232331	4	. Lockwasher	99	596538	1	. Kit, Hose
23	587044	1	. Tube Assembly	99.1	259169	1	. . Hose Assembly
24	587045	1	. Tube Assembly	99.2	21948	1	. . Hose Assembly
25	R616796	4	. Washer	99.3	HOS0034980	1	. . Hose Assembly
26	221767W	5	. Washer	99.4	243241	1	. . Hose Assembly
27	R13811196	4	. Locknut	99.5	589522	1	. . Hose Assembly
28	Y17C-1272	4	. Capscrew	99.6	589523	1	. . Hose Assembly
29	221777W	8	. Washer	99.7	593705	1	. . Hose Assembly
30	R13811191	5	. Locknut	99.8	R13804510	3	. . Hose, Radiator
31	225369	6	. T-Bolt Clamp	99.9	224766-14	1	. . Hose, Coolant
32	218642	2	. T-Bolt Clamp	99.10	203190-30	1	. . Hose, Heater

* See Separate Coverage
A/R As Required

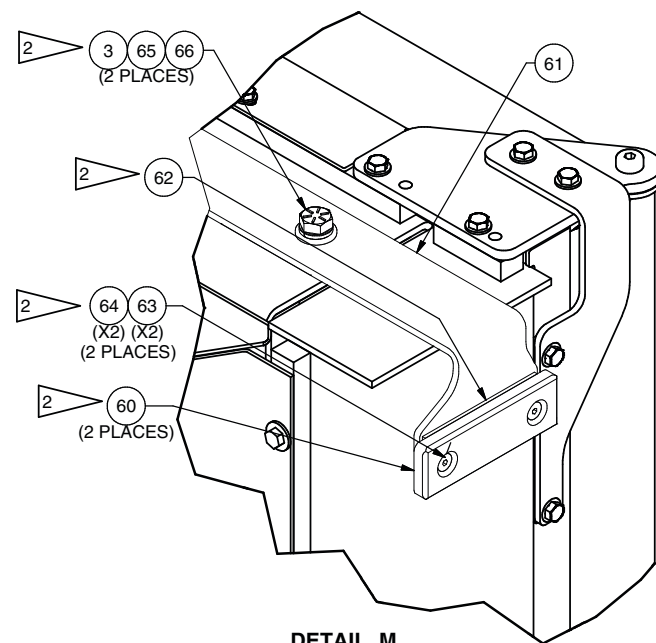


- NOTES:**
- 1 1 EACH SIDE OF ITEM 53.
 - 2 TYPICAL, BOTH SIDES.
 - 3 ADDITIONAL WASHERS, ITEM 4, MIGHT BE REQUIRED TO PROVIDE CLEARANCE BETWEEN THE BUMPER AND THE RADIATOR HINGE.

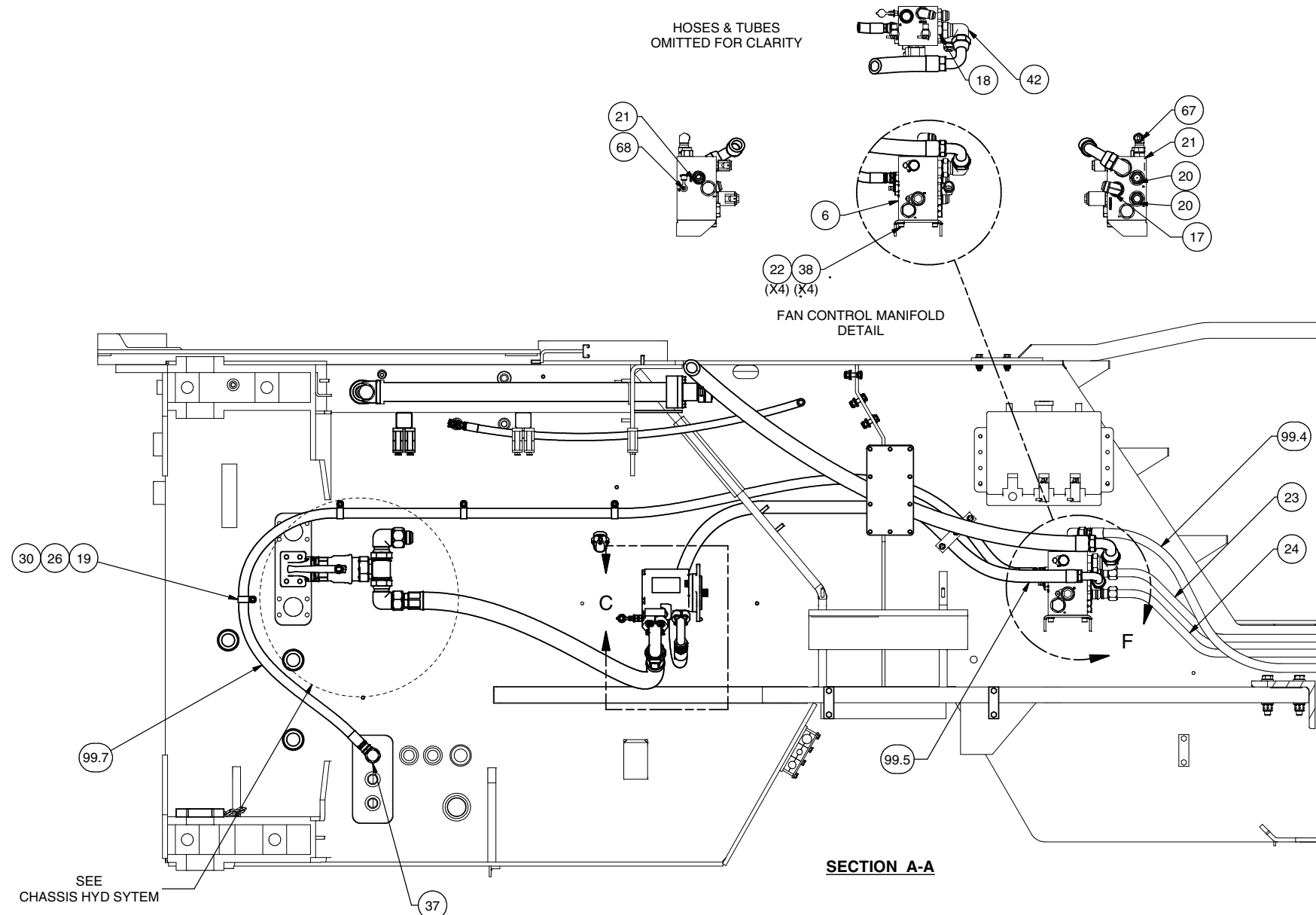




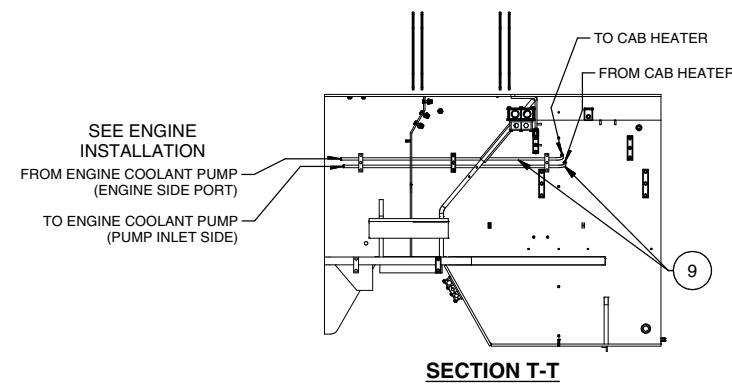
DETAIL G
TYP (2) PLCS



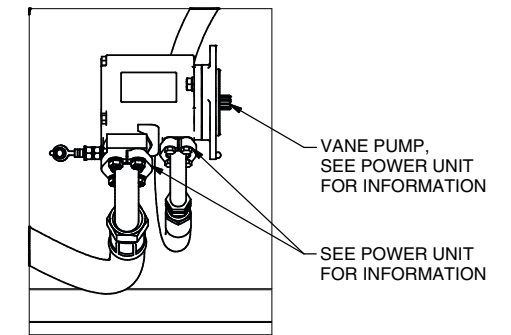
DETAIL M



SECTION A-A



SECTION T-T



DETAIL C