

---

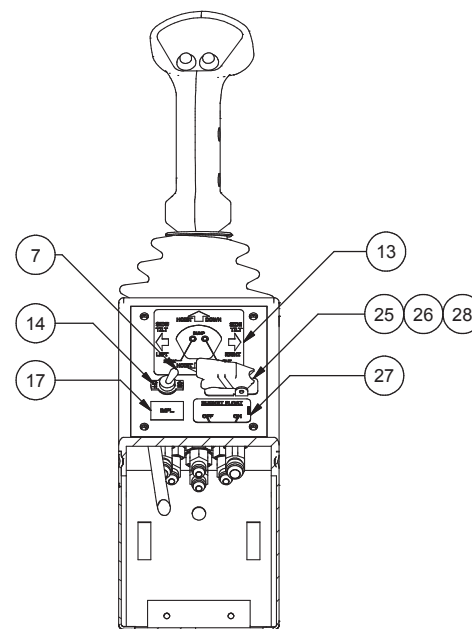
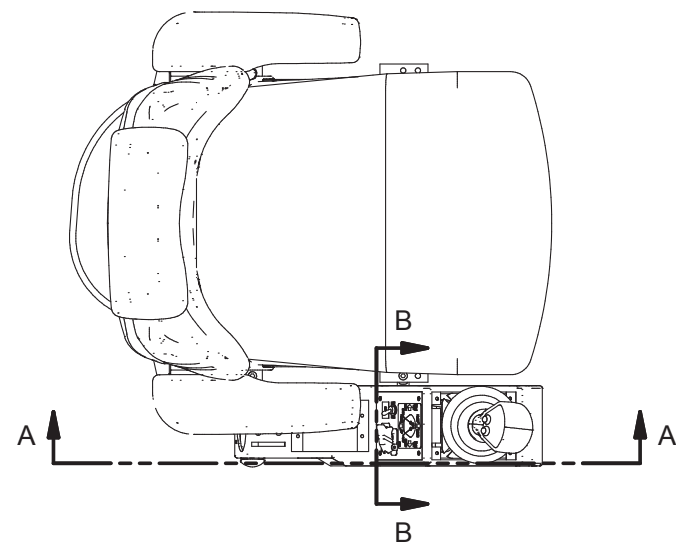
Seat Assembly

## Seat Assembly

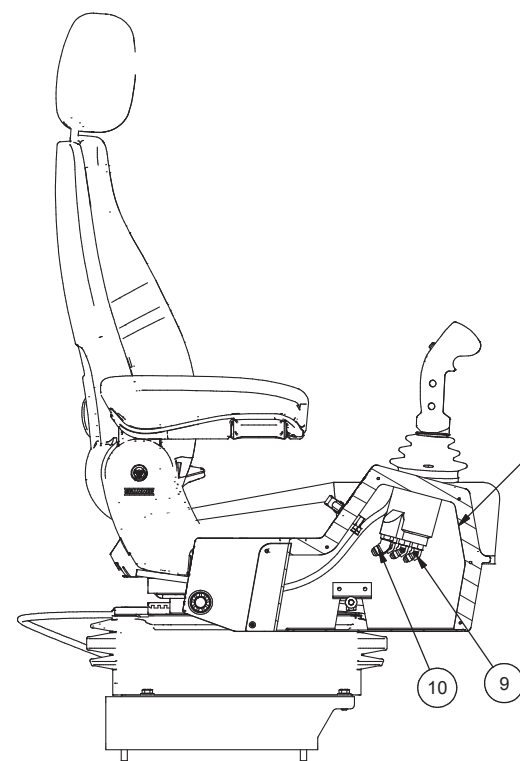
Item	Part No.	Qty	Description	Item	Part No.	Qty	Description
	<b>596149</b>		<b>Seat Assembly</b>				
1	* 597216	1	. Seat Assembly	18	R13811191	4	. Locknut
2	* 590626	1	. Joystick Assembly, 2-Button	19	221767W	12	. Washer
7	248733	1	. Toggle Switch	20	Y17C-0616	8	. Capscrew
9	236825	4	. Fitting	21	241779	10'	. Cord
10	209482	2	. Fitting	22	R740885	1	. Connector, Wire
11	586709	1	. Plate, LH Mounting	23	R740861	2	. Pin, Male
12	586710	1	. Plate, RH Mounting	24	238142	2	. Seal, Wire
13	585801	1	. Decal, Hoist/Dump/Side Tilt	25	NA	0	. Toggle Switch
14	248734	1	. Plate, Face	26	NA	0	. Switchguard, Toggle
15	249156	1	. Receptacle	27	NA	0	. Decal, Bucket Float
16	249157	1	. Plug	28	NA	0	. Terminal Ring
17	578530	1	. Decal, Implement	29	NA	0	. Insulation, Pipe
				30	NA	0	. Handle, Control
				31	NA	0	. Plate, Panel
				35	NA	0	. Machine Screw
				36	NA	0	. Decal; Steering, Joystick

\* See Separate Coverage

NA - Not Applicable



**SECTION B-B**



**SECTION A-A**

29 INSTALL ON INSIDE OF THE CONSOLE FROM THE EDGE OF THE SEAT CUSHION TO REMOVABLE COVER PLATE.

