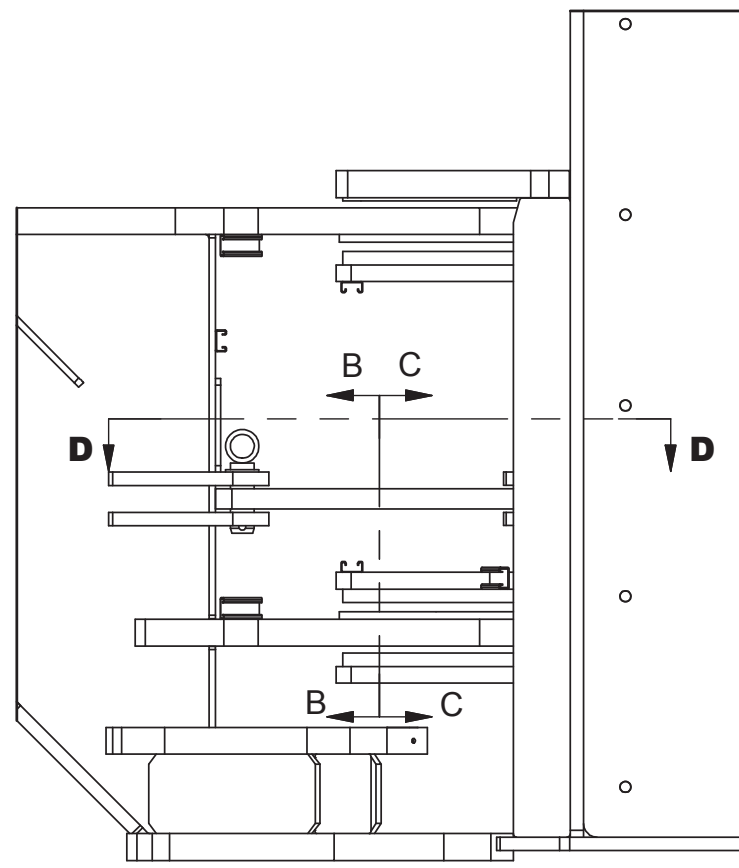
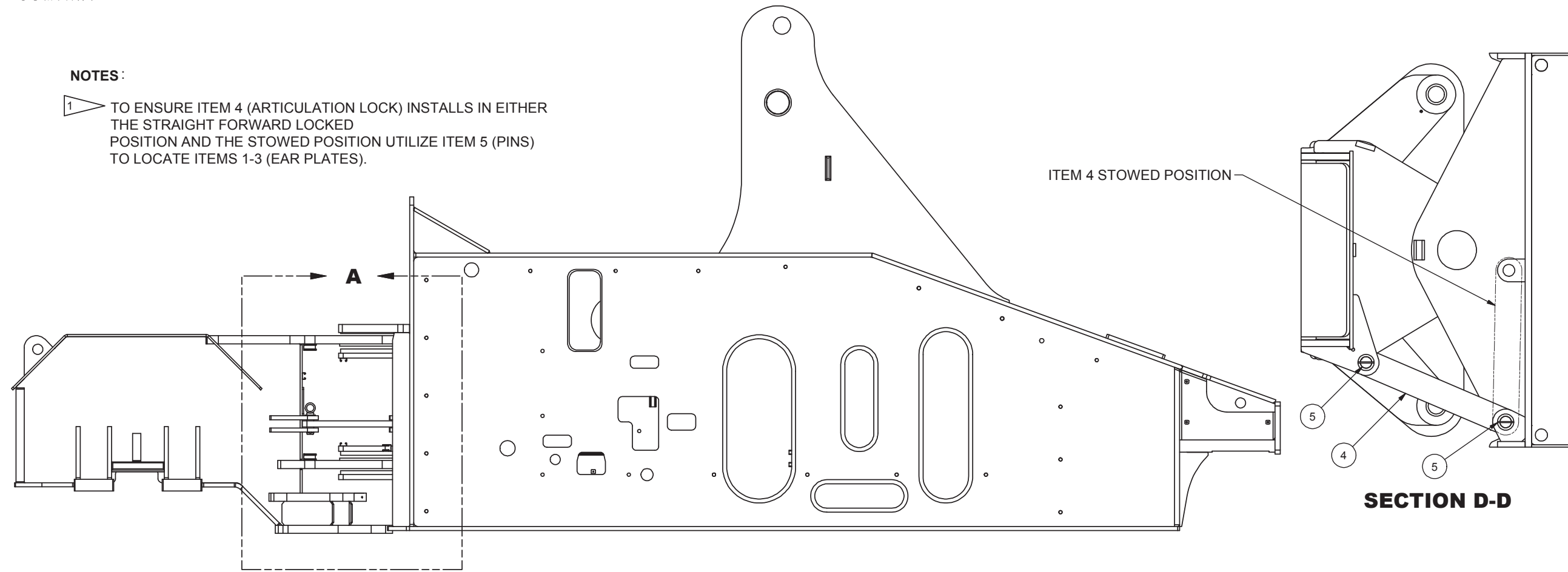

Articulation Lock Kit

Frame & Attachments

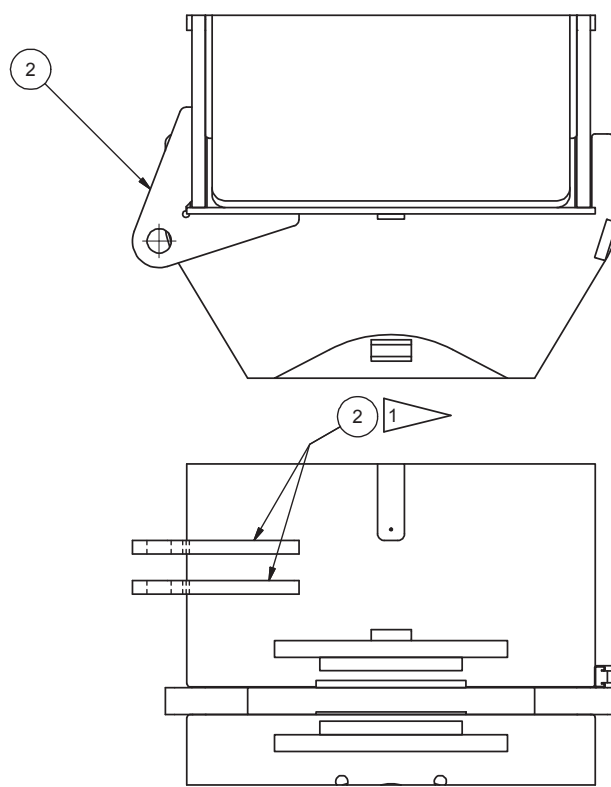
Item	Part No.	Qty	Description	Item	Part No.	Qty	Description
	596071		Kit, Articulation Lock				
1	596073	2	. Plate, Ear				
2	596074	2	. Plate, Ear				
3	591140	1	. Plate, Ear				
4	596072	1	. Plate, Articulation Lock				
5	538859	2	. Pin Assembly				

NOTES:

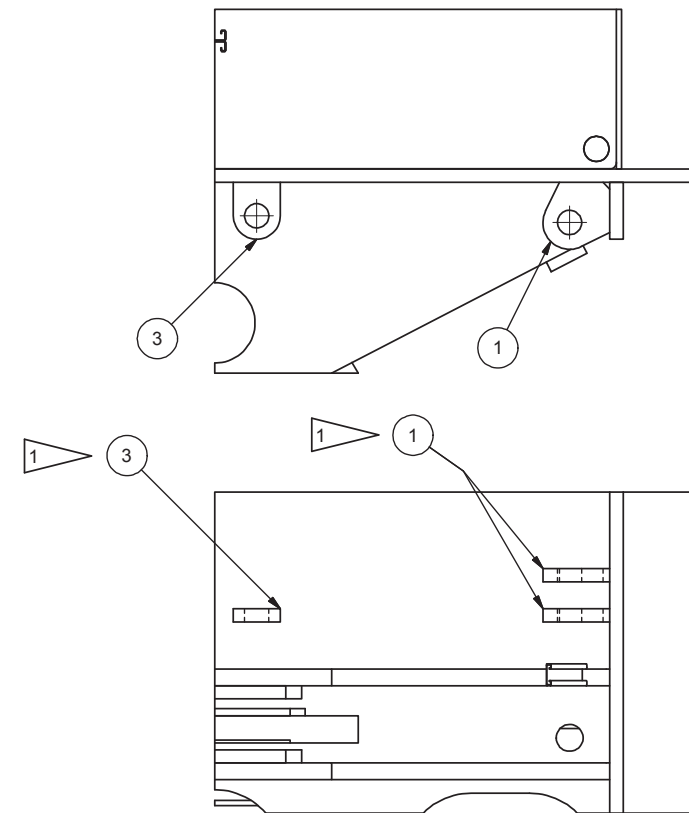
1 TO ENSURE ITEM 4 (ARTICULATION LOCK) INSTALLS IN EITHER THE STRAIGHT FORWARD LOCKED POSITION AND THE STOWED POSITION UTILIZE ITEM 5 (PINS) TO LOCATE ITEMS 1-3 (EAR PLATES).



DETAIL A



SECTION B-B
COMPONENTS REMOVED FOR CLARITY
BOGIE WELD DETAIL



SECTION C-C
COMPONENTS REMOVED FOR CLARITY
CHASSIS WELD DETAIL