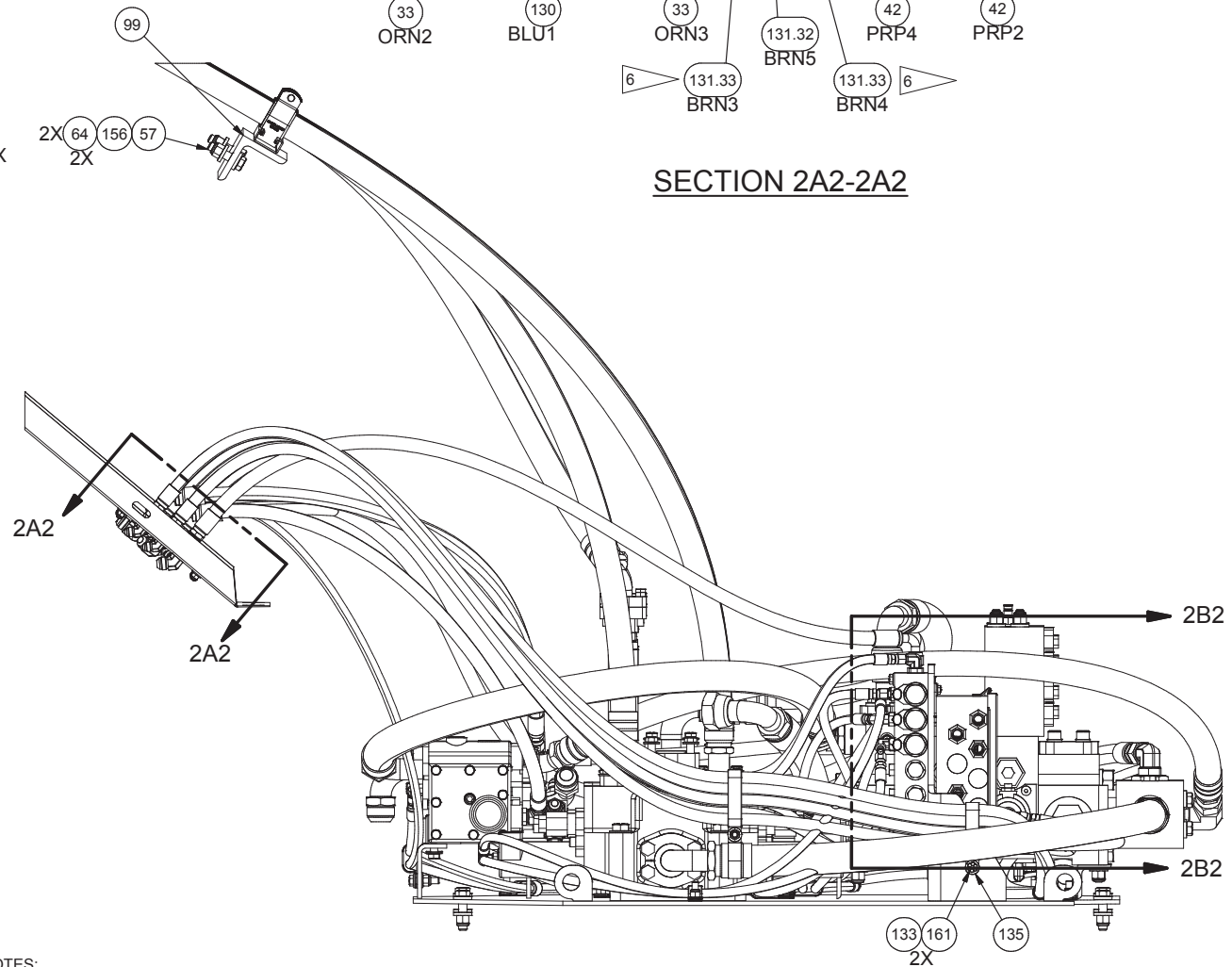
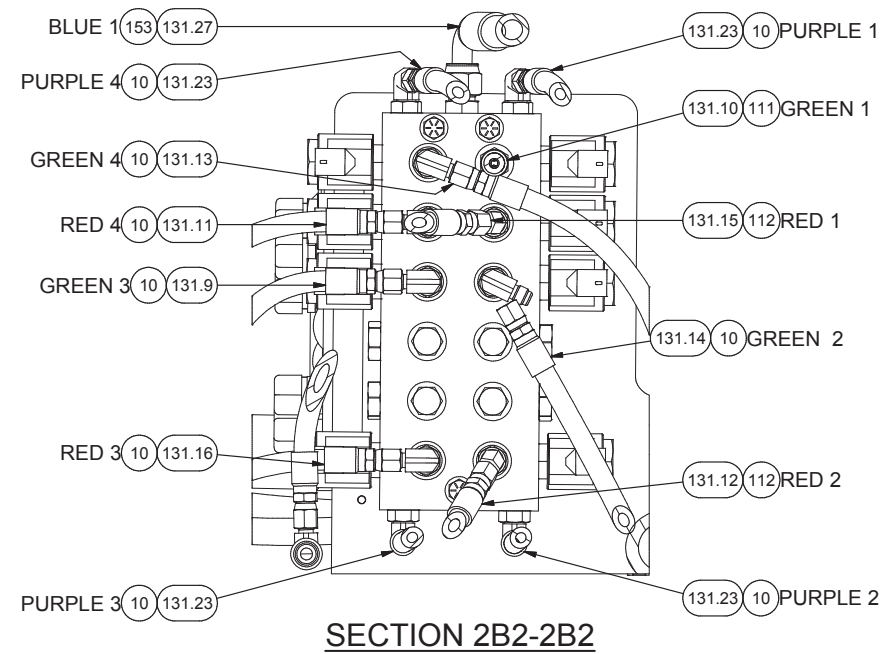
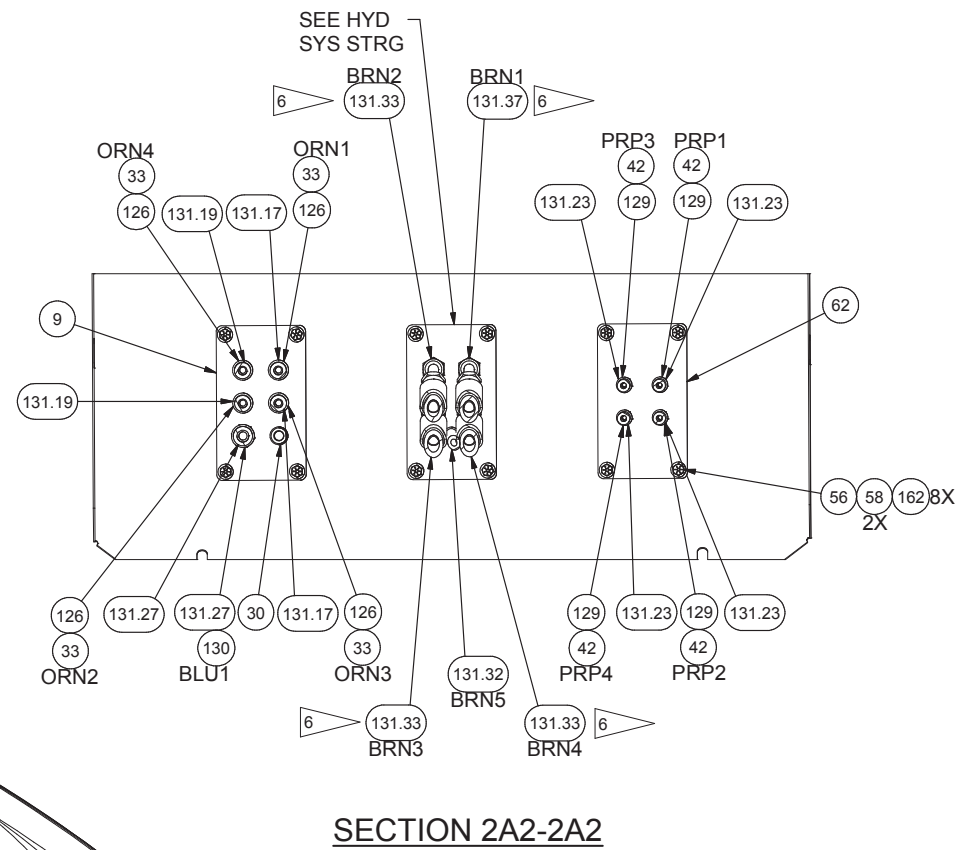
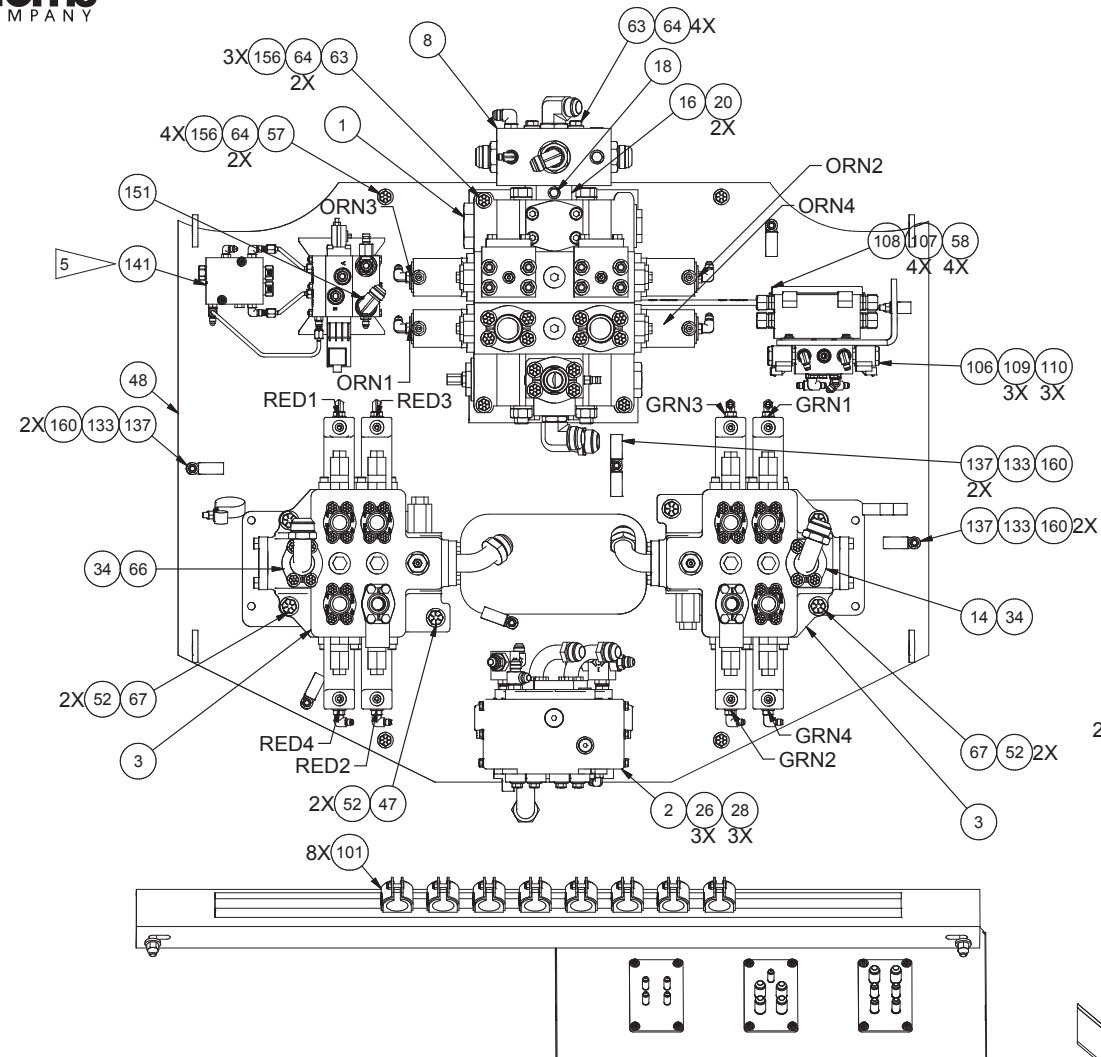

Valve Module

Valve Module

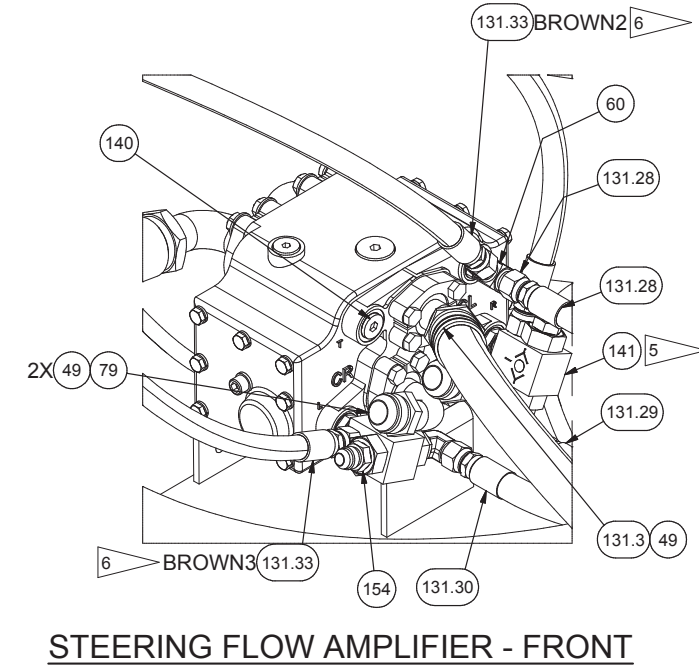
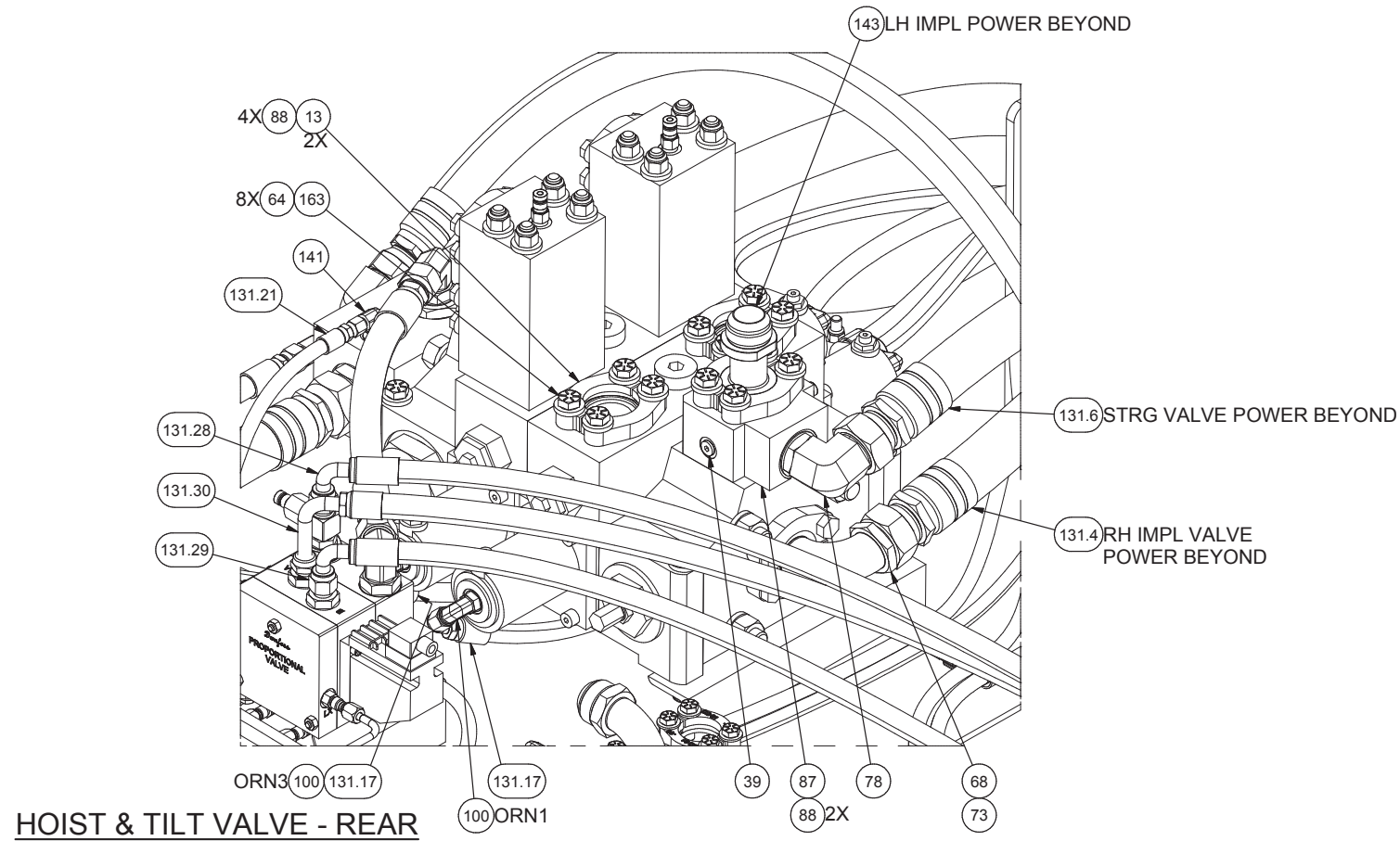
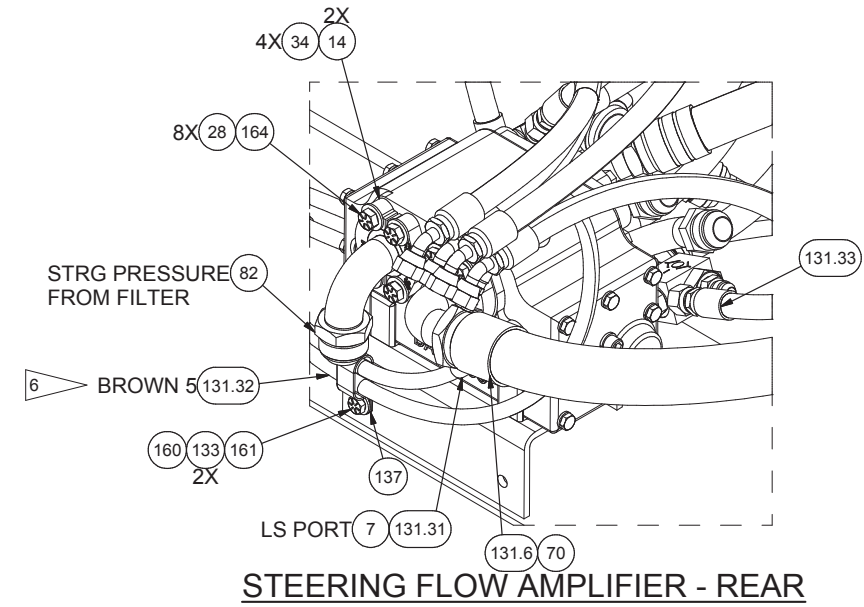
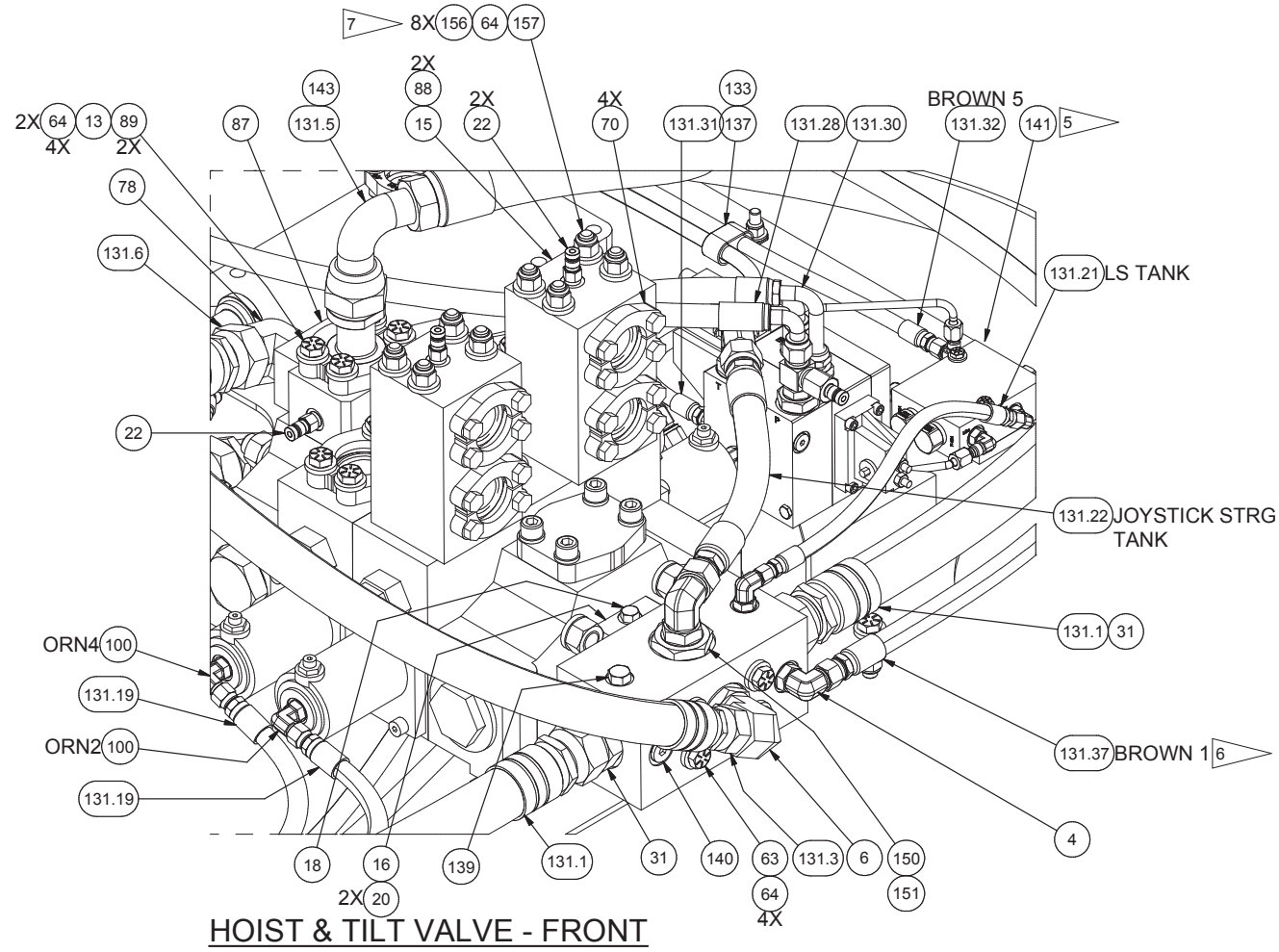
Item	Part No.	Qty	Description	Item	Part No.	Qty	Description
	595276		Hydraulic Valves & Mounting Plate				
1	* 250637	1	. Valve	125	242595	20	. Cable Tie
2	* 234082	1	. Valve, Flow Amplifier	126	242596	20	. Cable Tie
3	* 587576	2	. Valve Assembly	128	242598	20	. Cable Tie
4	209488	3	. Fitting	129	242600	20	. Cable Tie
6	223783	1	. Fitting	130	242601	2	. Cable Tie
7	209486	1	. Fitting	131	595987	1	. Kit, Hose
8	580018	1	. Manifold, Alm	131.1	230759	2	.. Hose Assembly
9	579836	1	. Plate, Mounting	131.3	235474	1	.. Hose Assembly
10	223784	17	. Fitting	131.4	589450	1	.. Hose Assembly
13	209537	6	. Clamp Half	131.5	24985	1	.. Hose Assembly
14	209536	8	. Clamp Half	131.6	240219	1	.. Hose Assembly
15	595627	2	. Mainfold, Hoist	131.7	589449	6	.. Hose Assembly
16	580019	1	. Plate, Flange	131.8	595971	2	.. Hose Assembly
18	209423	1	. Fitting	131.9	233834	1	.. Hose Assembly
20	203519	2	. O-Ring	131.10	213317	1	.. Hose Assembly
22	R14040	5	. Coupler, Male	131.11	15936	1	.. Hose Assembly
23	209139	1	. Fitting	131.12	227473	1	.. Hose Assembly
26	R13811054	3	. Capscrew	131.13	238226	1	.. Hose Assembly
28	R13811432	19	. Hard Washer	131.14	589444	1	.. Hose Assembly
30	059-0042	2	. Fitting	131.15	240508	1	.. Hose Assembly
31	209619	2	. Fitting	131.16	235521	1	.. Hose Assembly
33	R14398	4	. Fitting	131.17	237256	2	.. Hose Assembly
34	203446	6	. O-Ring	131.19	234511	2	.. Hose Assembly
39	235387	1	. Fitting	131.21	226733	1	.. Hose Assembly
41	253326	1	. Coupler	131.22	226090	1	.. Hose Assembly
42	16463W	4	. Fitting	131.23	14237	4	.. Hose Assembly
47	221630W	2	. Capscrew	131.27	253423	1	.. Hose Assembly
48	588662	1	. Weldment, Valve Plate	131.28	242176	1	.. Hose Assembly
49	11759	5	. Kit, Split Flange	131.29	R12231	1	.. Hose Assembly
	203443	1	.. O-Ring	131.30	249319	1	.. Hose Assembly
52	R13806986	6	. Flat Washer	131.31	223332	1	.. Hose Assembly
56	224120W	8	. Capscrew	131.32	226732	1	.. Hose Assembly
57	R13811077	6	. Capscrew	131.37	593706	1	.. Hose Assembly
58	221763W	20	. Hce-552 Washer	133	221767W	38	. Hard Washer
60	212705	1	. Fitting	134	R13803047	1	. Clip, Insul
62	589360	1	. Plate, Mounting	135	209700	3	. Clamp
63	R13811089	7	. Capscrew	136	221497W	2	. Capscrew
64	221771W	42	. Washer	137	209696	8	. Clamp
66	245846	2	. Check Valve	139	212762	2	. Fitting
67	R13809382	4	. Capscrew	140	229345	2	. Fitting
68	14274	1	. Fitting	141	* 594125	1	. Joystick Strg Installation
70	11740	6	. Kit, Split Flange	143	14248	1	. Fitting
	203446	1	.. O-Ring	144	220427	2	. Fitting
73	11767	3	. Kit, Split Flange	145	251373	2	. Fitting
	203516	1	.. O-Ring	146	00426371	8	. Capscrew
78	221140	1	. Fitting	147	209078	4	. Fitting
79	225128	2	. Fitting	148	591693	2	. Flow Control Valve
82	224780	4	. Fitting	149	203443	8	. O-Ring
87	527371	1	. Manifold, Alm	150	509197	1	. Fitting
88	203516	6	. O-Ring	151	209490	2	. Fitting
89	R13811084	4	. Capscrew	152	R13808116	2	. Clip, Insul
99	570442	1	. Clamp/Channel Weldment	153	211550	1	. Fitting
100	248284	4	. Fitting	154	209805	1	. Fitting
101	231248	8	. Clamp, Hydra-Zorb	155	11741	1	. Fitting
103	243421	8	. Capscrew	156	R13811193	17	. Locknut
106	* 586605	1	. Manifold Assembly	157	596270-8.50	8	. Rod, Thread
107	R13810989	4	. Capscrew	158	209535	12	. Clamp Half
108	* 586812	1	. Junction Box Assembly	159	221499W	24	. Capscrew
109	R13811020	3	. Capscrew	160	R13811191	10	. Locknut
110	R13802914	3	. Hard Washer	161	Y17C-0624	2	. Capscrew
111	223929	1	. Fitting	162	R13811189	12	. Locknut
112	236825	2	. Fitting	163	200454W	8	. Capscrew
124	225109	2	. Fitting	164	221532W	8	. Capscrew

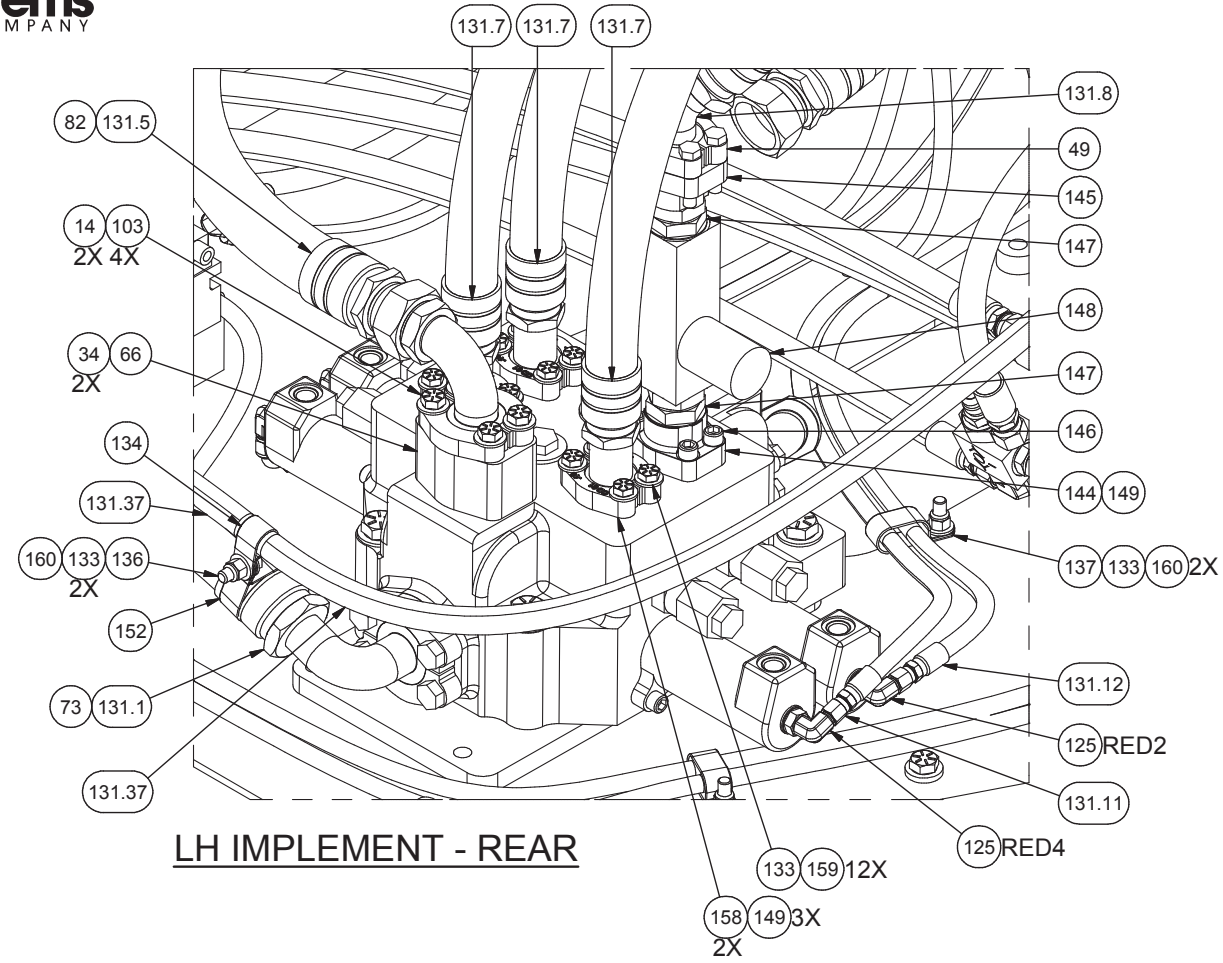
* See Separate Coverage



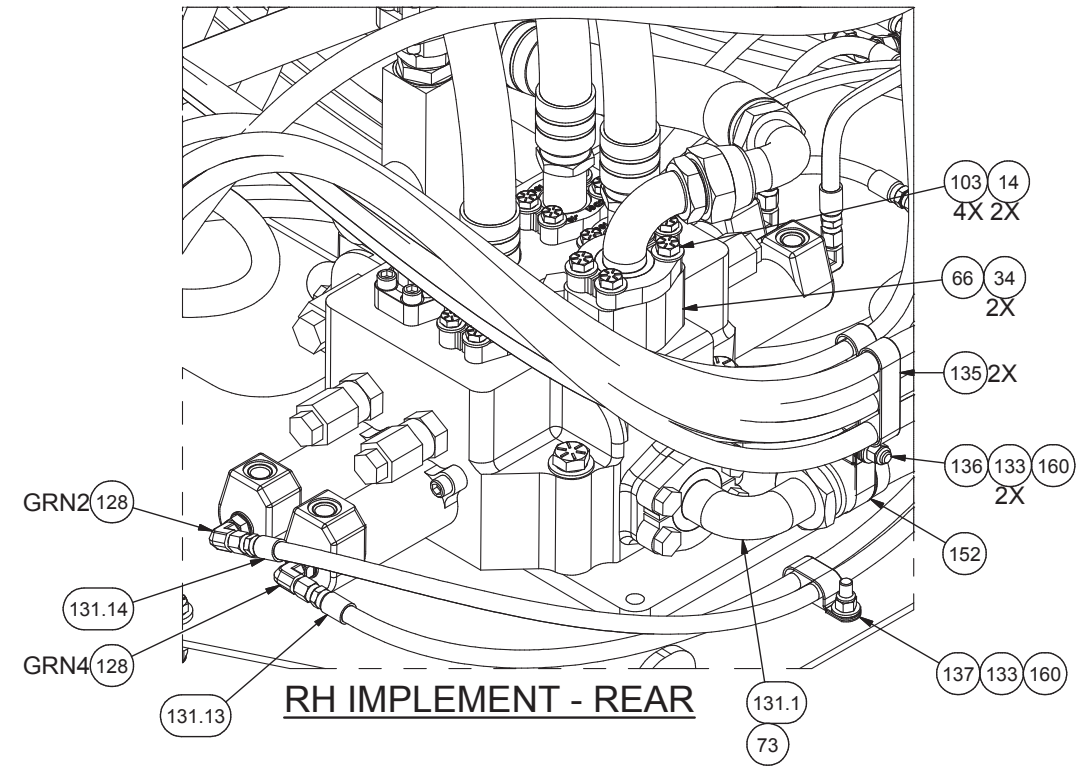
NOTES:

1. PRESSURE CHECK IS TO BE PLACED ON BOTH VALVES PRESSURE PORTS. REMOVE FACTORY SUPPLIED PLUGS AND INSTALL PRESSURE CHECK.
2. HOSE CLAMPS SHOULD BE USED TO ROUTE HOSES, PICTORALLY HOSES ARE NOT IN CLAMPS.
3. ITEMS 125 THROUGH 130 ARE NOT SHOWN. PLACE CABLE TIES ON EACH HOSE END AS ID MARKERS. USE COLOR AND NUMBER PER LABEL.
4. SOME ITEMS ARE NOT SHOWN IN CERTAIN VIEWS FOR CLARITY.
5. JOY STICK STEERING SUBASSEMBLY. SEE DRAWING FOR INSTALL AND PARTS
6. STEERING HOSES ARE CALLED OUT WITH HYD SYS STEERING. SHOWN IN THIS DRAWING AS REF PARTS. HOSE 37 REPLACES EXISITING STRG TANK HOSE.
7. HAND TIGHTEN STUDS WITH LOCTITE 242 INTO VALVE, WAIT 5 MINS BEFORE TORQUING NYLOCK NUTS TO 50 FT-LBS

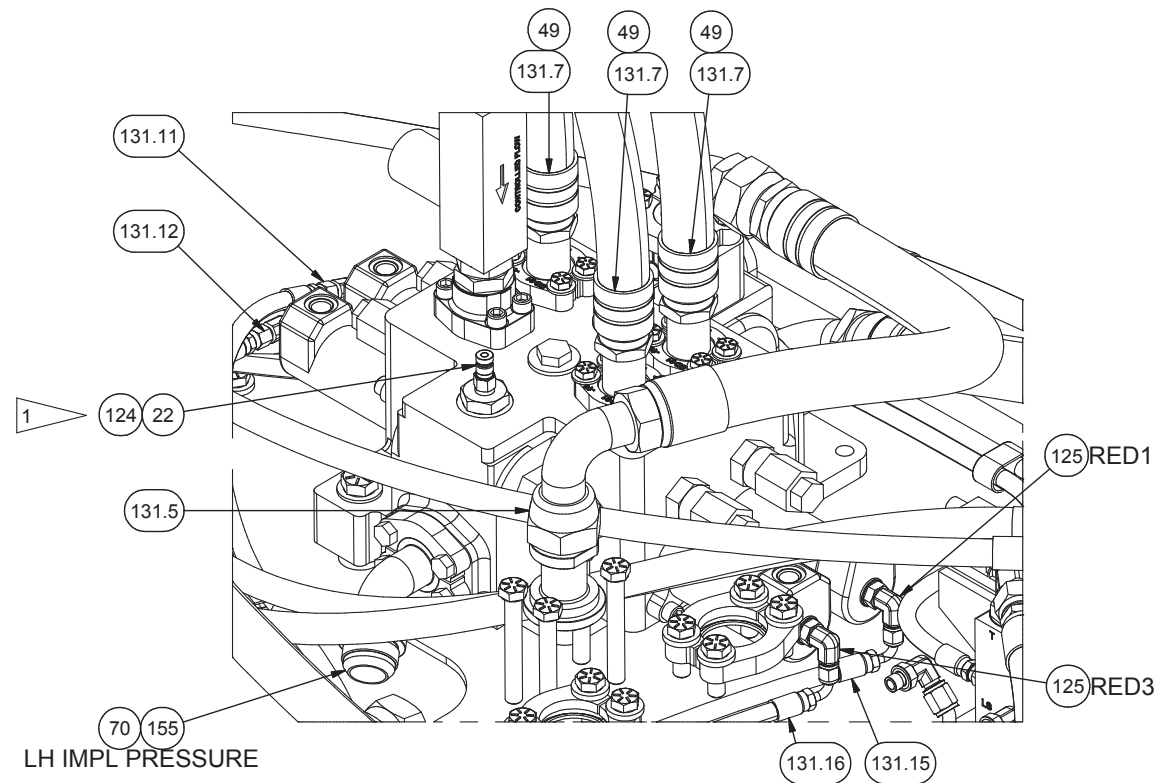




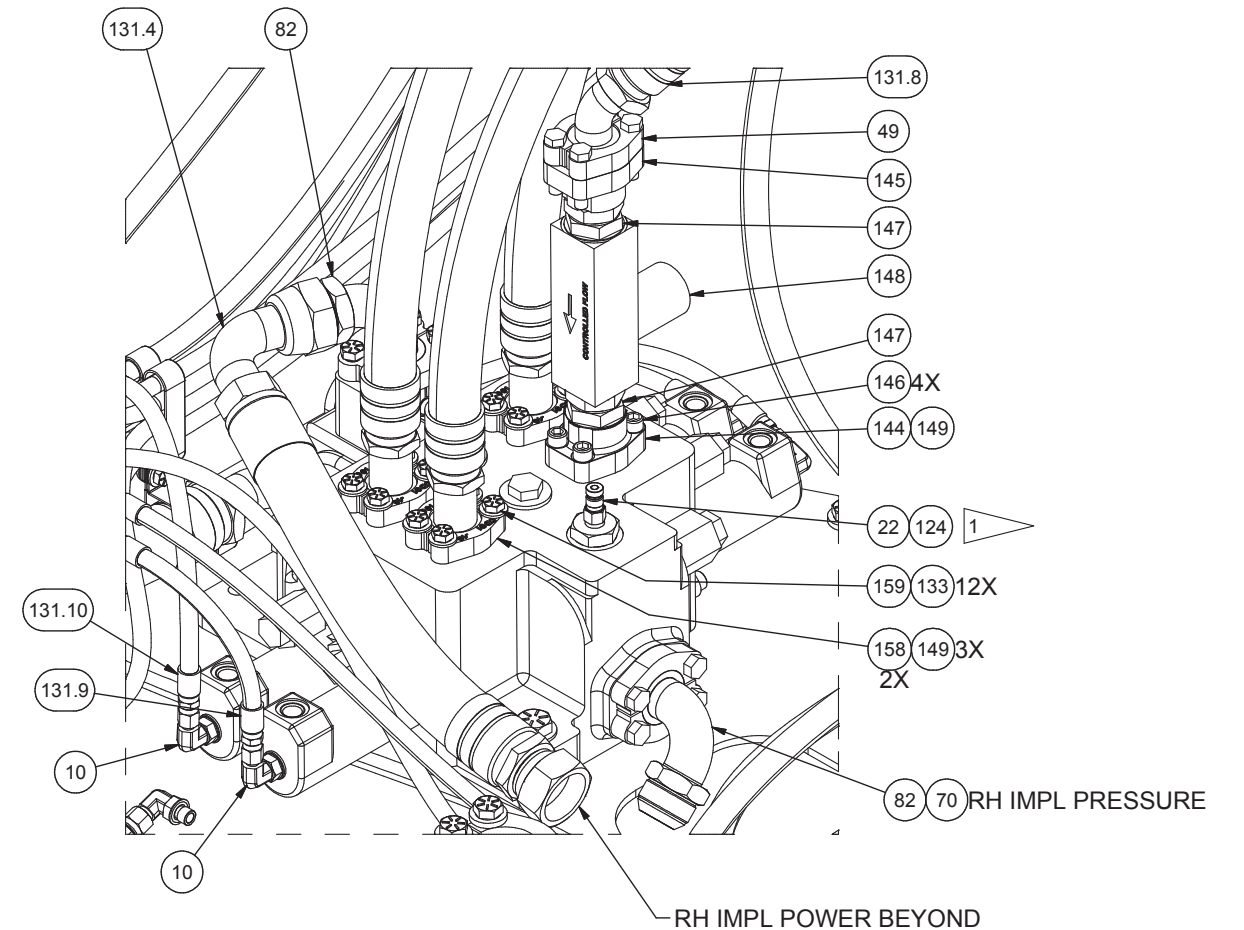
LH IMPLEMENT - REAR



RH IMPLEMENT - REAR



LH IMPLEMENT - FRONT



RH IMPLEMENT - FRONT

