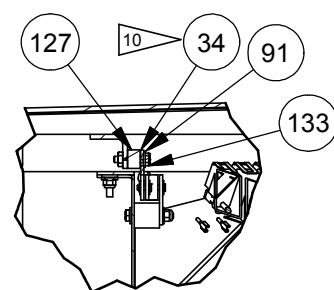
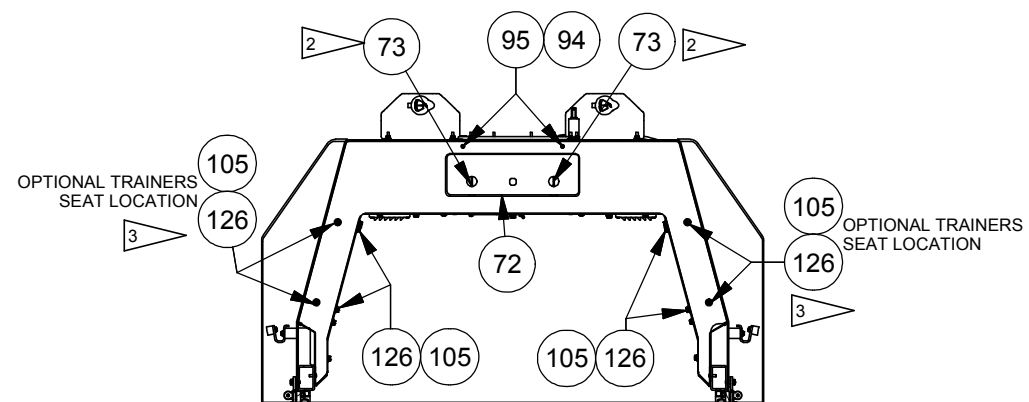
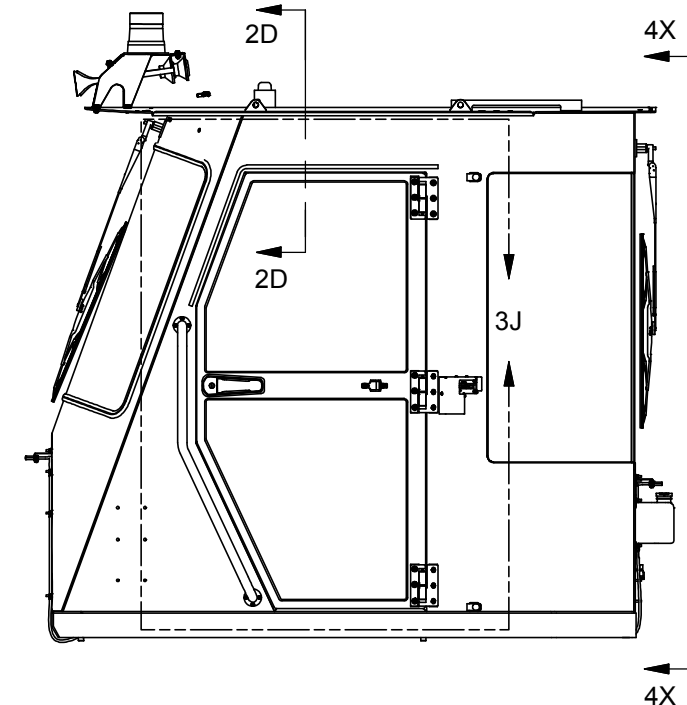
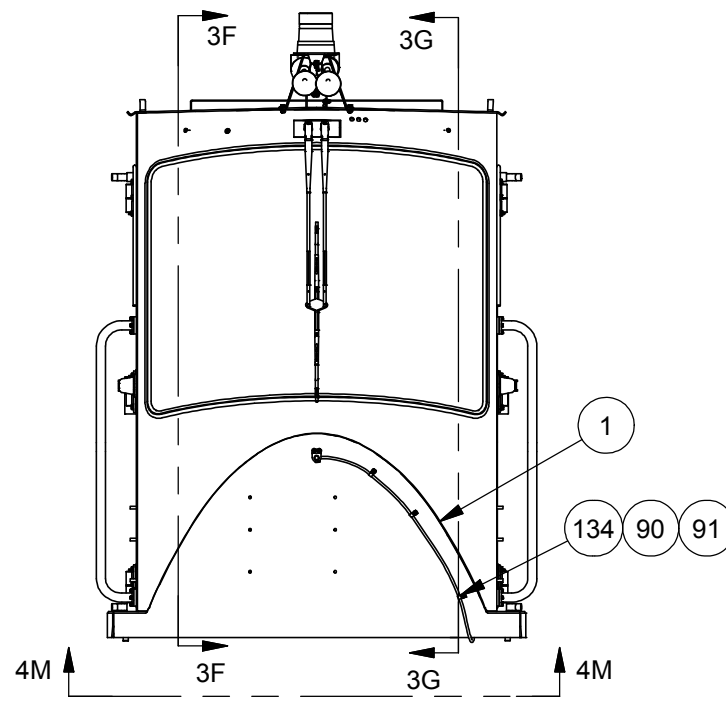
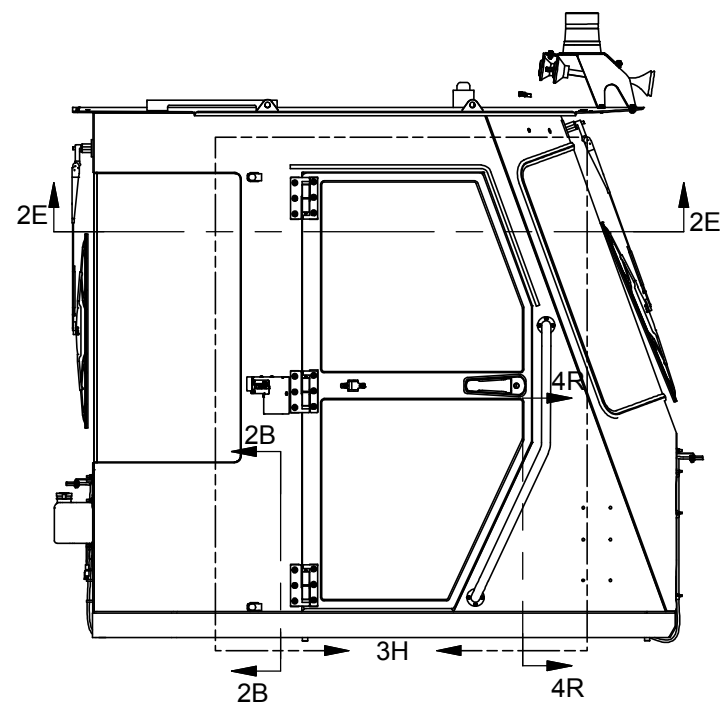

Cab Assembly

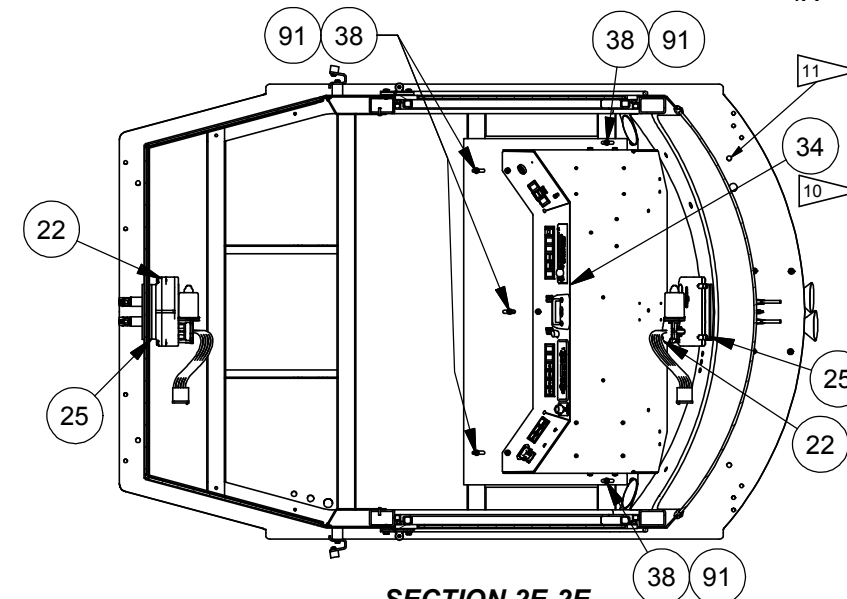
Cab Assembly

Item	Part No.	Qty	Description	Item	Part No.	Qty	Description
	595261		Cab Assembly				
1	586283	1	. Weldment, Cab	66	* 589284	1	. Panel Assembly, Circuit Breaker
2	**a 586385	1	. Window Installation	67	588153	1	. Plate, RH Lwr Panel
3	258667	4	. Stud	68	588152	1	. Plate, LH Lwr Panel
4	590618	1	. Cover Plate	70	* 588138	1	. Panel Assembly, LH Fnt
6	596572	1	. Wire Loom - Cab	71	* 588137	1	. Panel Assembly, RH Fnt
7	258712	2	. Pin, Striker	72	586597	1	. Cover Weldment
8	258713	2	. Guard, Striker	73	258860	2	. Cam Latch Assembly
9	590619	1	. Cover Plate	80	* 587926	1	. Panel Assembly, LH Instrument
10	R10581	2	. Stud, Battery Feeder	81	*a 257710	1	. Wire Harness, Powerview Jumper
11	254962	1	. Connector	84	586815	2	. Plate, Vent
12	587033	2	. Shaft, Stand-Off	87	590052	4	. Stop, Door
13	256319	2	. Receptacle	88	*a N/A	1	. Seat Asst, Trainer
16	259262	4	. Jam Nut	90	R13811189	24	. Locknut
17	259263	8	. Machine Screw	91	221763W	38	. Washer
18	259264	8	. Nut, Esna	92	Y25G-0406	8	. Capscrew
19	296148W	8	. Capscrew	94	R13809543	2	. Locknut
20	320152W	8	. Washer	95	Y09G-(1024)08	2	. Capscrew
21	587034	2	. Jam Nut	101	224120W	5	. Capscrew
22	590724	2	. Motor, Wiper	103	R13811034	36	. Capscrew
23	258773	1	. Arm Assembly, Wiper	105	221767W	44	. Hard Washer
24	258774	2	. Blade Assembly, Wiper	106	223428	23	. Flat Washer
25	258434	4	. Spacer	109	R13801791	23	. Capscrew
27	587119	1	. Arm Assembly, Wiper	112	258706	2	. Louver, Ball
28	* 586437	1	. Panel Assembly, LH	113	221754	12	. Capscrew
29	* 587924	1	. Panel Assembly, RH Gauge	114	234197	4	. Flat Washer
30	* 587925	1	. Panel Assembly, RH Instru	117	238437	4	. Nut, Esna
31	249776	2	. Nozzle, Jet, Single	118	R13813167	4	. Machine Screw
32	596349	1	. Assembly, Door - RH	119	Y25G-0414	8	. Capscrew
33	596347	1	. Assembly, Door	120	249395	24	. Capscrew
34	* 595287	1	. Console Assembly, Overhead	126	Y17C-0616	8	. Capscrew
35	* 586558	3	. Hinge Assembly	127	586806	2	. Bar,Spacer
36	* 586560	3	. Hinge Assembly	128	* 590011	4	. Door Spring Assembly
37	586583	12	. Pad, Hinge	129	**a 595546	1	. Installation, Insulation
38	18720W	17	. Capscrew	130	**a 588628	1	. Insulation Installation
40	2301055W	10'	. Vinyl Protective Trim	131	296418W	4	. Hard Washer
41	258919	2	. Bearing Housing	133	R13801782	4	. Capscrew
42	258920	2	. Lever, Clamp	134	R13803026	8	. Clip, Insul
43	258921	4	. Thrust Washer	135	*a 222761	1	. Sealer
44	258922	2	. Shaft, Flanged	136	594720	1	. Kit, Hose
45	258923	2	. Latch, LH Rotary	136.1	234245-36	1	. . Hose
47	258925	1	. Spring, Ext	136.2	234245-152	1	. . Hose
48	258926	4	. Clevis	137	* 593636	1	. Strobe Light & Horn Installation
49	258928	1	. Stud	138	590865	1	. Remote Monitor
50	586559	2	. Plate, Arm	139	Y73G-(1024)08	4	. Capscrew
51	593626	1	. Latch Weldment, Holdback	141	242601	30	. Cable Tie
52	593340	1	. Plate, RH Holdback Cover	142	*a N/A	1	. Controller Installation
53	593628	1	. Plate, LH Cover	143	592519	2	. Wire Harness
54	593339	1	. Holdback Latch Weldment, RH	144	*a 593346	30	. Mount, Blk
55	569247	2	. Plate, Mounting	145	593629	1	. Stud
56	R6515575	2	. Hose Clamp	146	241826	8	. Receptacle, Wedglock
57	591615	2	. Bottle, Washer	147	593658	1	. Spring, Ext
58	215774	2	. Mirror, Convex				
59	526939	2	. Bracket				
60	223146	2	. Machine Screw				

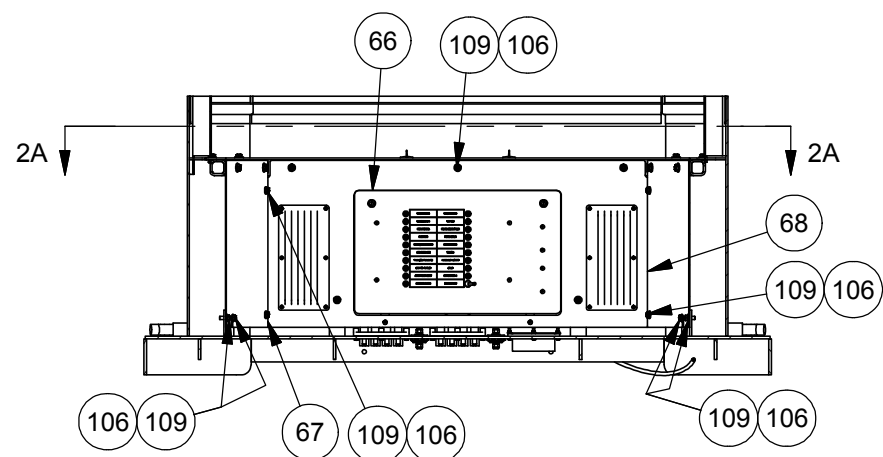
* See Separate Coverage
 *a Items Not Shown In Assembly
 NA Not Applicable



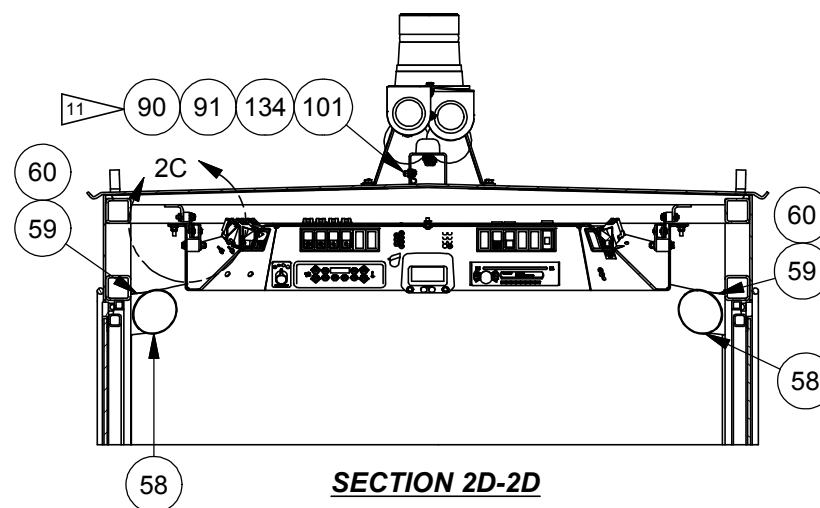
DETAIL 2C
2 PLCS



SECTION 2E-2E



SECTION 2B-2B



SECTION 2D-2D

