

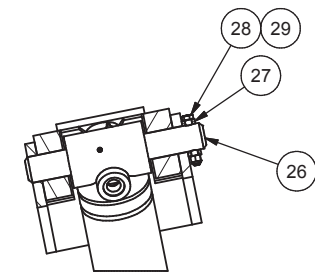
---

Carriage Assembly

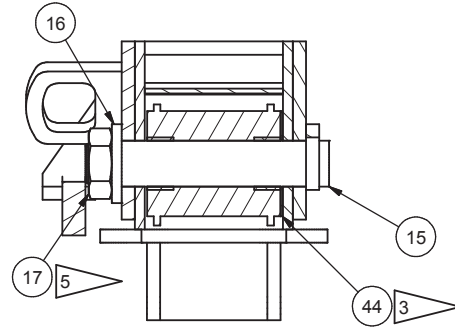
## Carriage Assembly

Item	Part No.	Qty	Description	Item	Part No.	Qty	Description
	<b>595258</b>		<b>Carriage Assembly</b>				
1	590928	1	. Carriage Weldment	21	512865	2	. Pin
2	561170	2	. Bushing	22	552431	0	. Nut
3	588159	1	. Pin	23	512865	2	. Pin, Strg Cylinder
4	523107	1	. Pin	24	R13811153	0	. Capscrew
5	563280	2	. Pin	25	223188	0	. Locknut
6	563243	2	. Lock Collar	26	531543	4	. Pin
7	R13811039	4	. Capscrew	27	501774	4	. Lock Collar
8	223654	4	. Locknut	28	R13811083	8	. Capscrew
9	588130	2	. Tine Weldment	29	224202	8	. Nut, Esna
10	508737	2	. Pin Weldment	32	570270	2	. Plate,Stop
11	00427143	2	. Cotter Pin	36	523108	1	. Lock Collar
12	* 560937	2	. Holddown Arm Weldment	37	R13801922	1	. Capscrew
13	* 560229	2	. Kickoff Arm Weldment	38	220918	1	. Locknut
15	531586	4	. Pin Assembly	39	N/A	1	. Arm
16	531588	4	. Plate,Spacer	40	N/A	1	. Pin
17	219928	4	. Jam Nut	41	N/A	1	. Pin
18	* 595259	2	. Cylinder Assembly, HD	42	N/A	1	. Capscrew
19	* 595260	2	. Cylinder Assembly, KO	43	N/A	1	. Nut
				44	575299	4	. Shim
				45	Y.13HS-2.50X9.75	2	. Plate
				46	Y.25HS-2.50X9.75	2	. Plate
				47	531820	2	. Plate,Stop

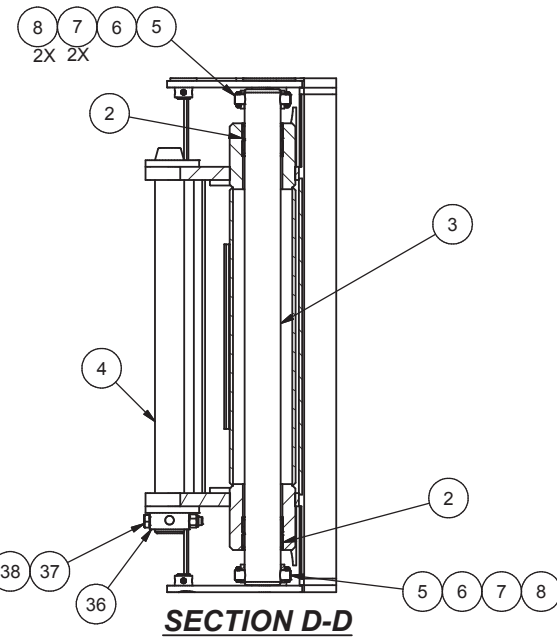
\* See Separate Coverage  
 NA Not Applicable



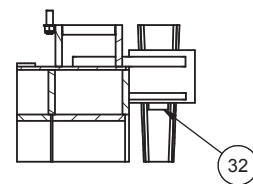
**SECTION A-A**  
**4 PLCS**



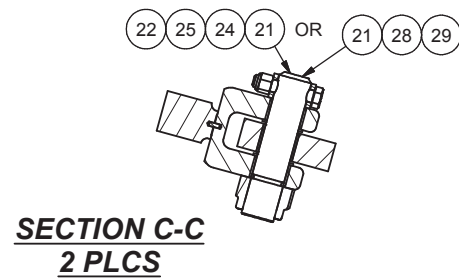
**SECTION B-B**  
**4 PLCS**



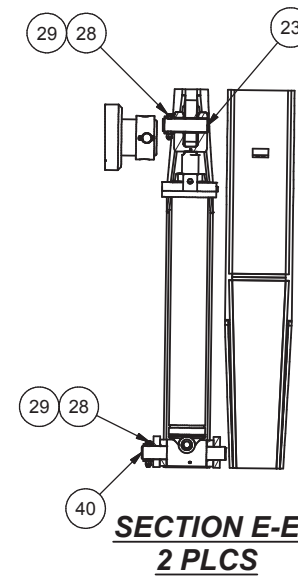
**SECTION D-D**



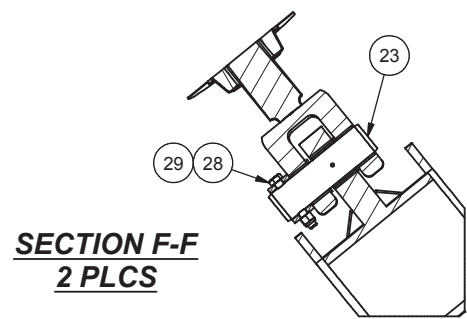
**SECTION G-G**  
**2 PLCS**



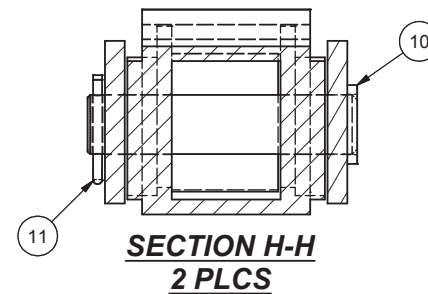
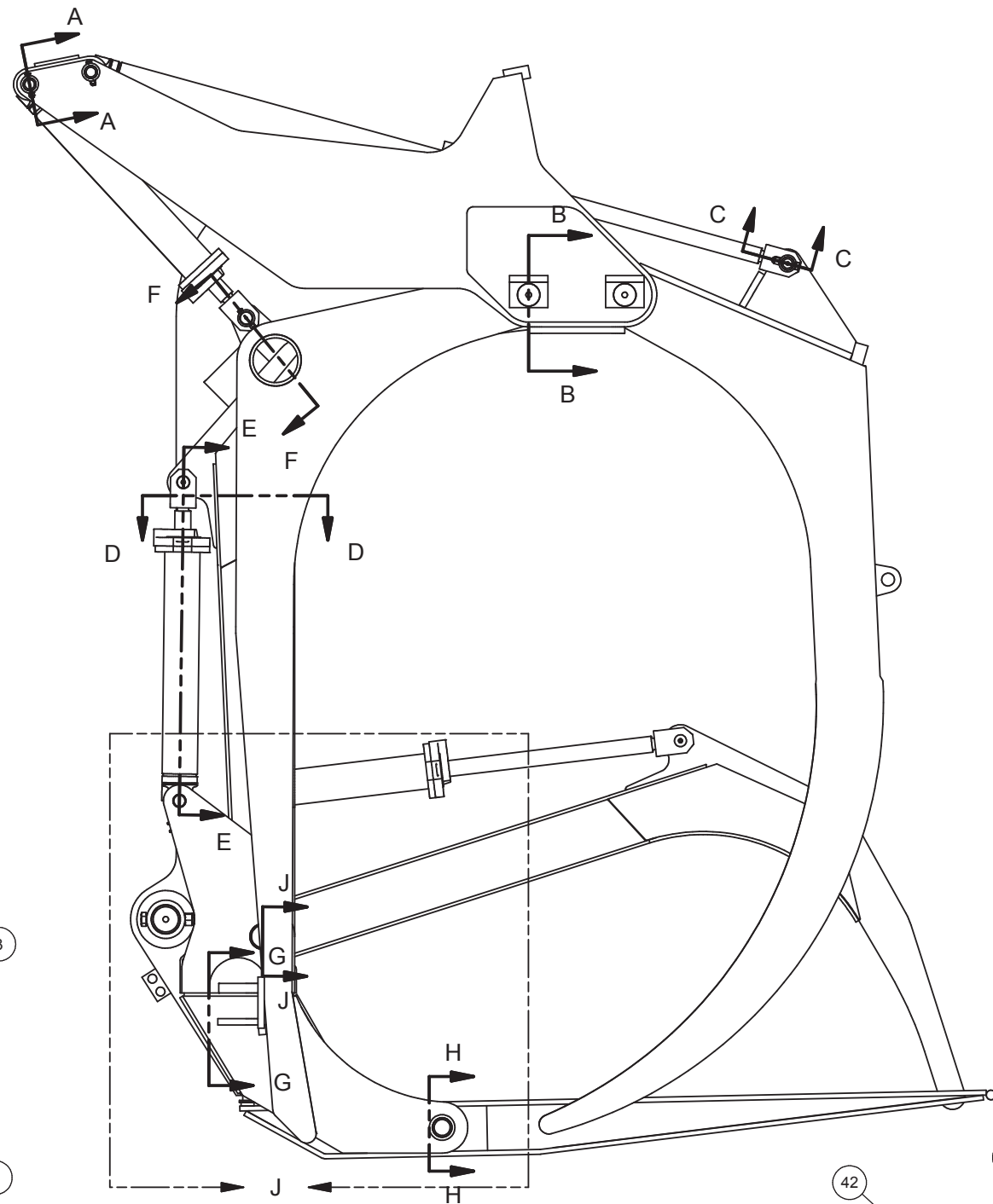
**SECTION C-C**  
**2 PLCS**



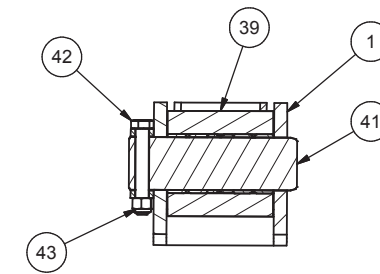
**SECTION E-E**  
**2 PLCS**



**SECTION F-F**  
**2 PLCS**



**SECTION H-H**  
**2 PLCS**



**SECTION J-J**

