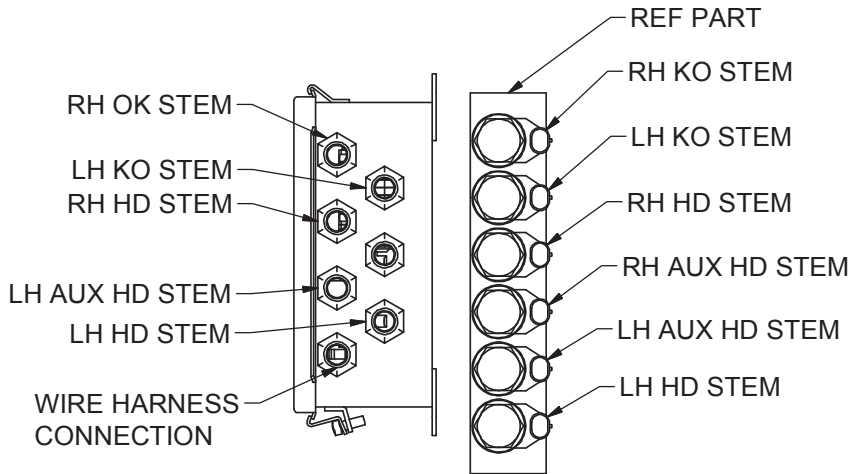
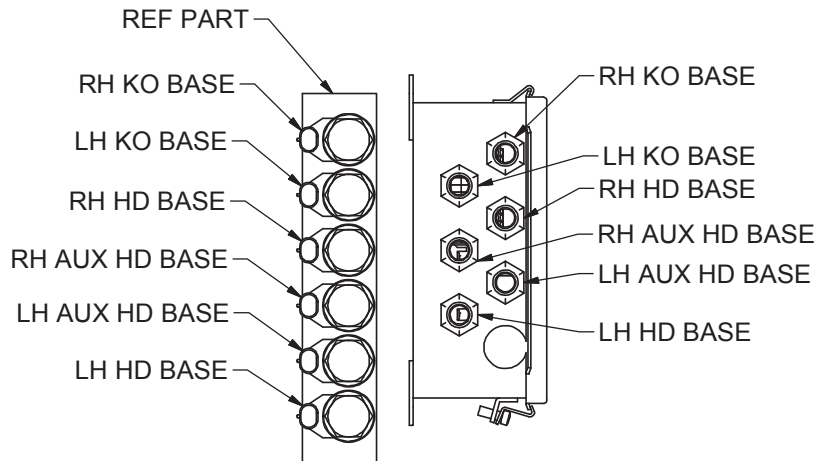

Electrical Installation, RH Service Bay

Electrical Installation, Power Unit

Item	Part No.	Qty	Description	Item	Part No.	Qty	Description
	595187		Installation, Electrical				
01	595450	1	. Wire Harness, "D"				
02	595451	1	. Wire Harness, "E"				
03	593727	1	. Wire Harness, Hydraulic Temp				
04	595326	19	. Mount, Tack				
05	231251	2	. Clamp, Hydra-Zorb				



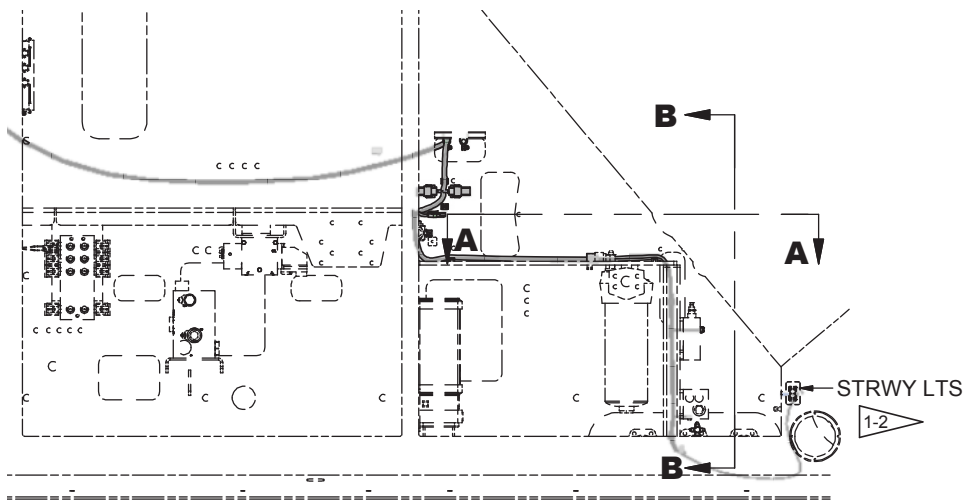
JUNCTION BOX CONNECTION REFERENCE



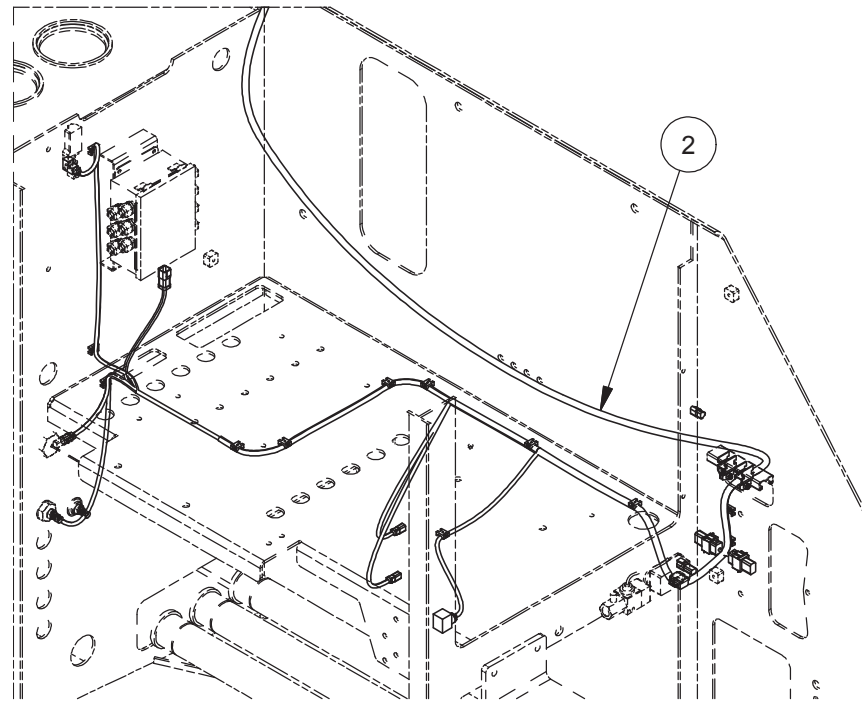
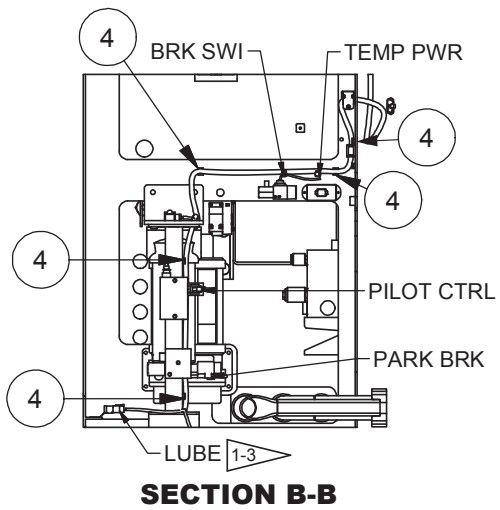
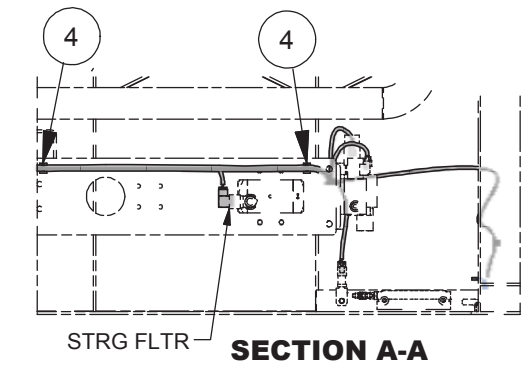
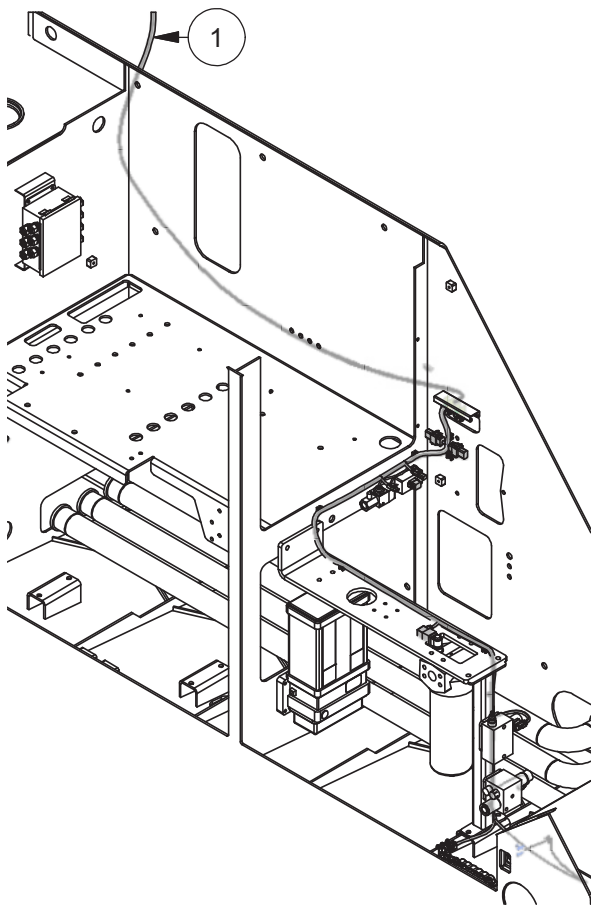
JUNCTION BOX CONNECTION REFERENCE

NOTES:

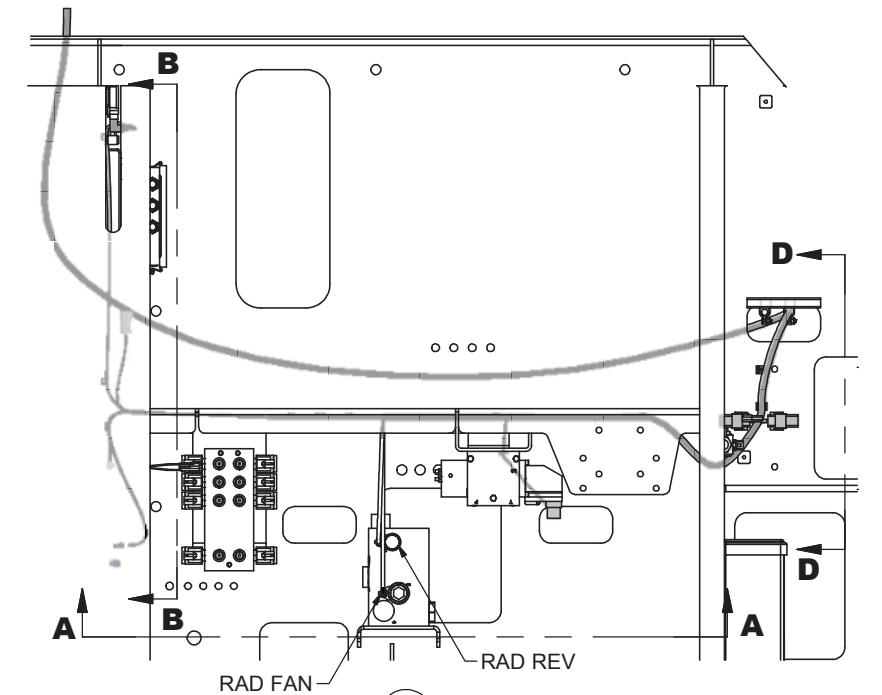
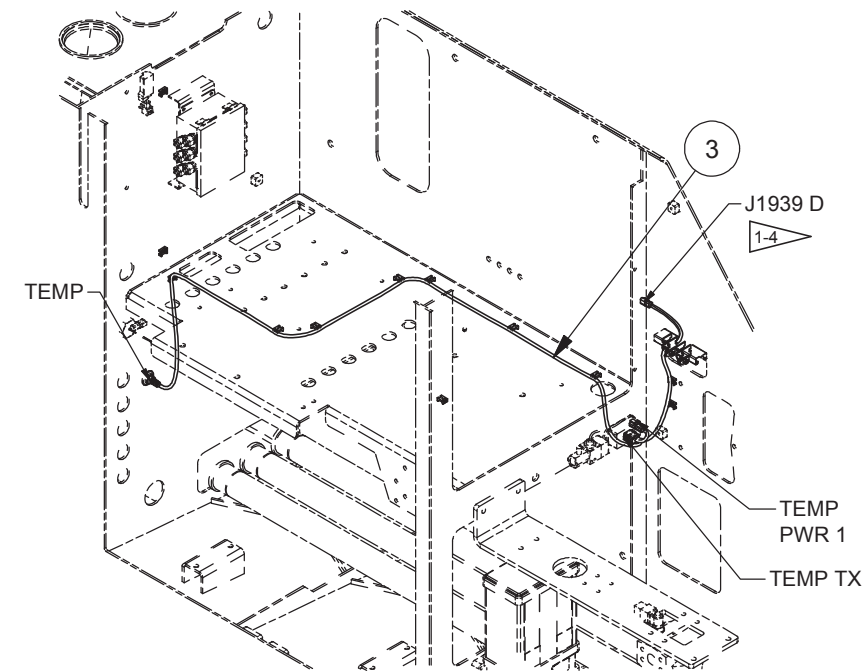
- 1-1 CABLETIE TACK MOUNTS PLACED IN APPROXIMATE LOCATIONS AS SEEN IN DRAWINGS.
- 1-2 STRVY LTS A GOES TO TOP TERMINAL, STRY LTS B GOES TO BOTTOM TERMINAL. STAIRWAY LIGHTS HARNESS INSTALLED IN CHASSIS ELECTRICAL INSTALLATION.
- 1-3 LUBE CONNECTOR PLUGS INTO RECEPTACLE MOUNTED WITH CLIP. RECEPTACLE PART OF PUMP WIRE HARNESS IN LUBE SYSTEM ASSEMBLY
- 1-4 TEMPERATURE TRANSMITTER CONNECTION J1939 D PLUGS INTO J1939 SPLITTER IN ECM HARNESS



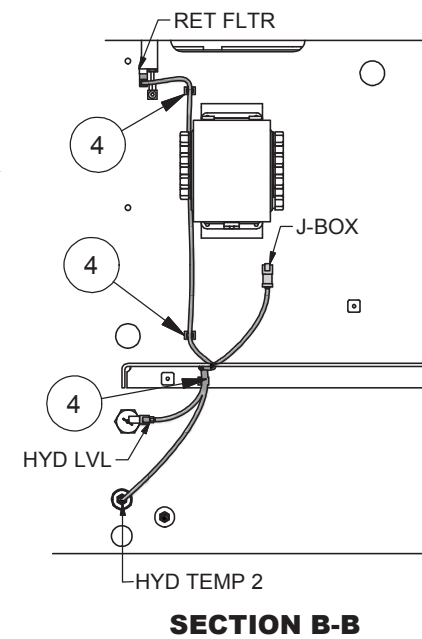
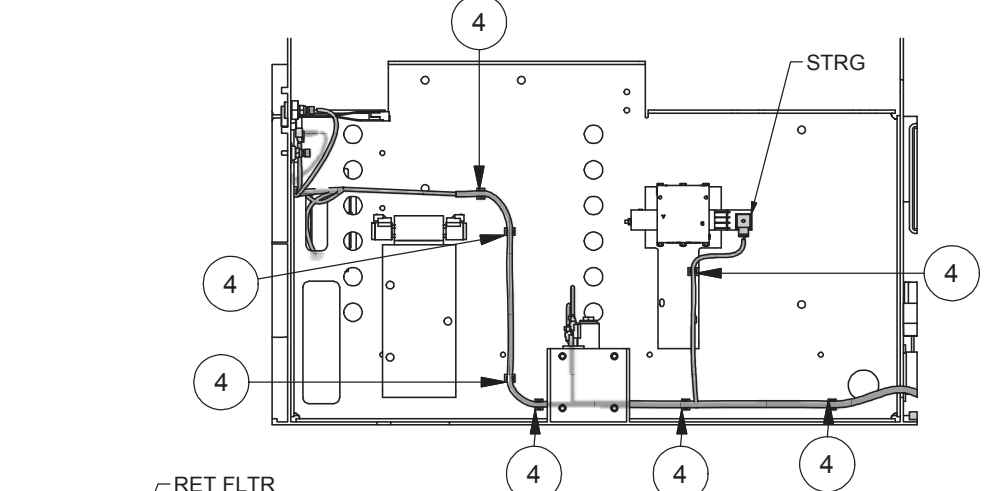
595450 INSTALLATION



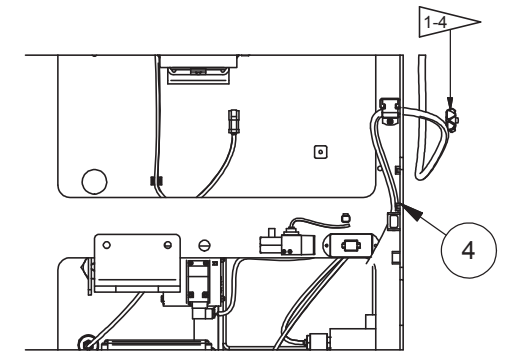
593727 INSTALLATION



595451 INSTALLATION



SECTION A-A



SECTION D-D