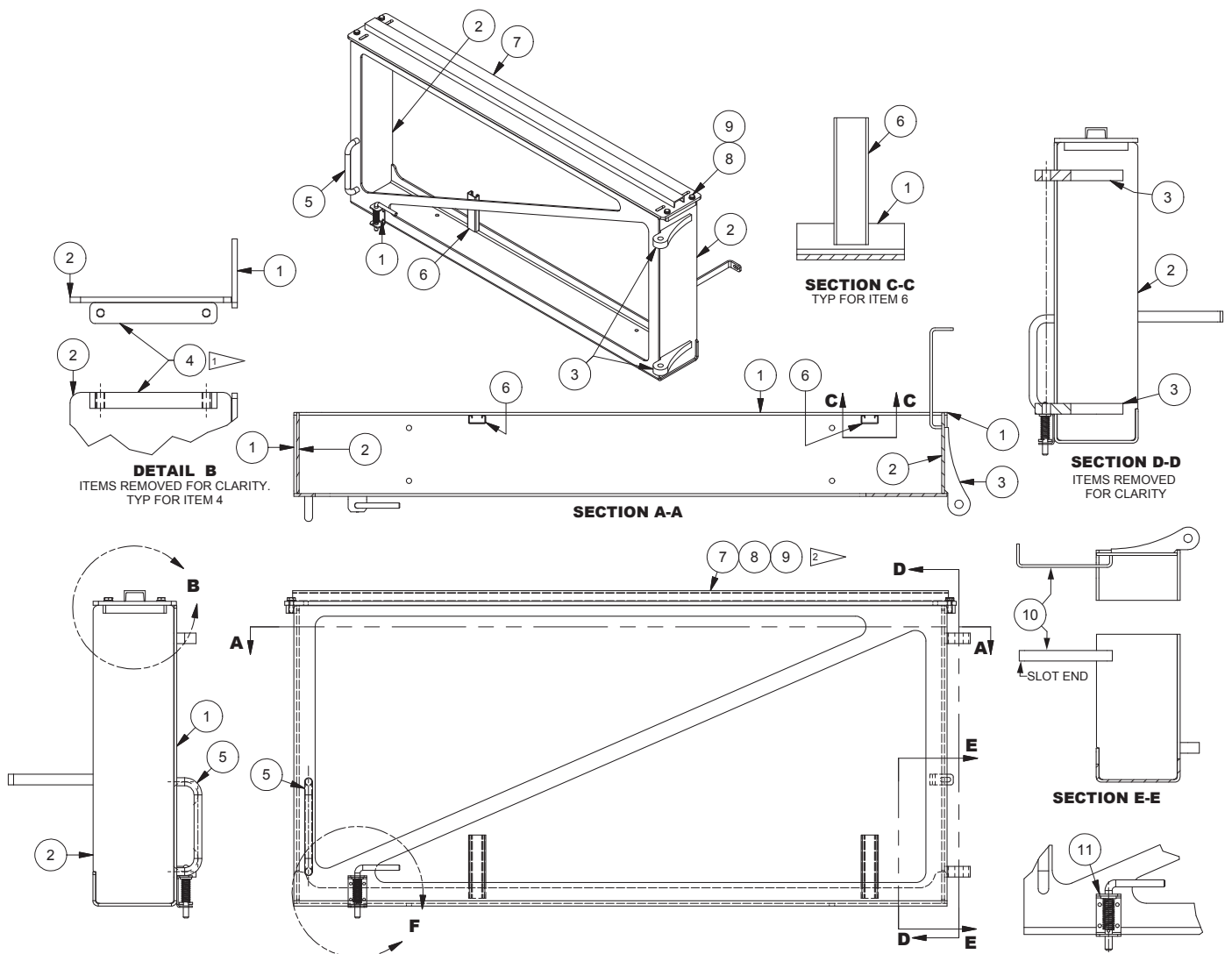


Frame, RAD/FOC



- NOTES:**
- 1 LOCATE TOP OF ITEM 4 (TAP PAD) FLUSH WITH ITEM 2 (SIDE PLATE).
 - 2 UTILIZE ITEMS 7 (TOP PLATE), 8 (SCREW), & 9 (WASHER) FOR LOCATING ITEMS 2 (SIDE PLATE) & 4 (TAP PAD).

Item	Part No.	Qty	Description	Item	Part No.	Qty	Description
	595004		Frame, RAD/FOC	6	572900	2	. Channel
1	595005	1	. Plate, Btm	7	596028	1	. Weldment, Core Frame - Top
2	595006	2	. Plate, Side	8	293629W	4	. Capscrew
3	595011	2	. Plate, Door Mount	9	296420W	4	. Hard Washer
4	595012	2	. Pad, Tap	10	596310	1	. Bracket, Support
5	595019	1	. Tube, Handle	11	596325	1	. Slide Bolt