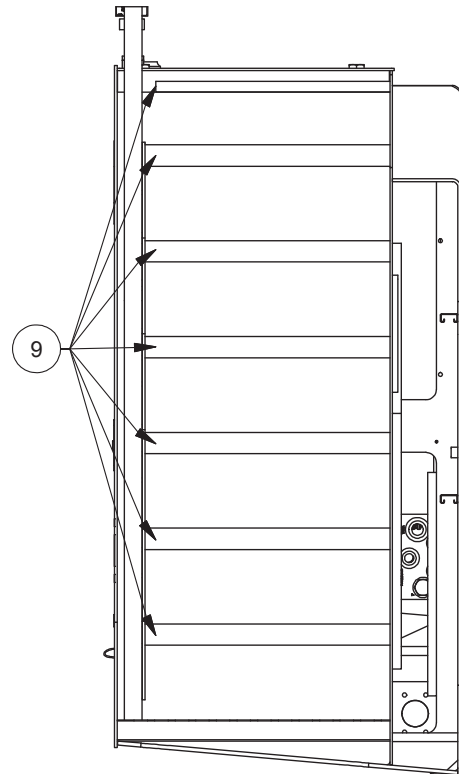
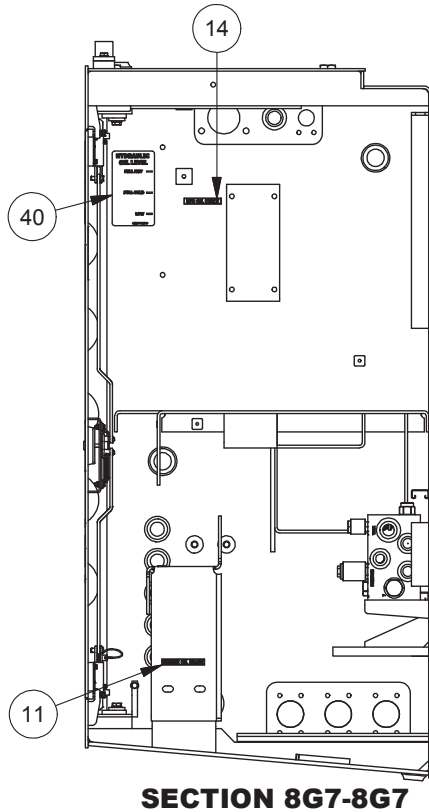
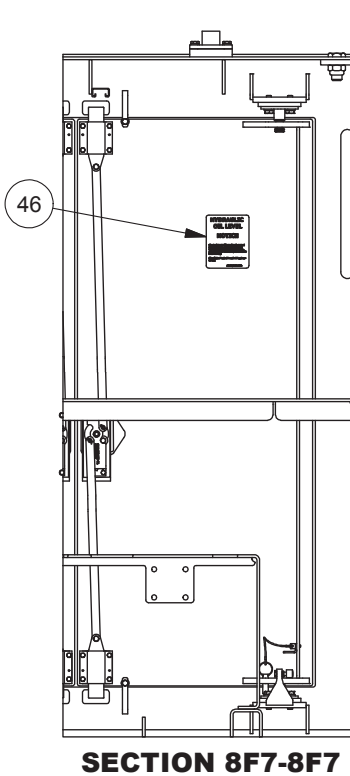

Decal Locations

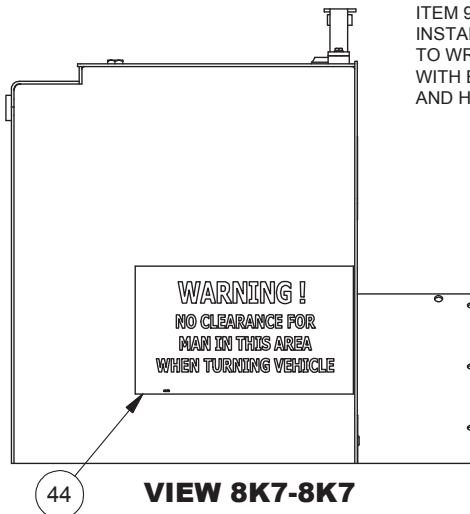
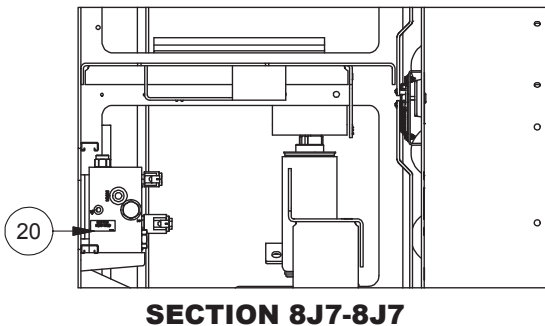
Decal Locations

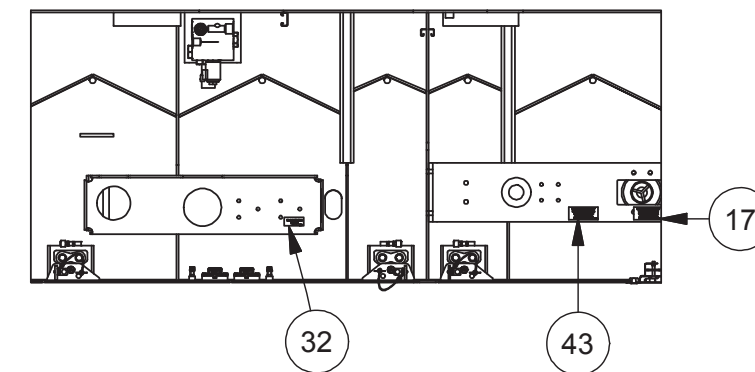
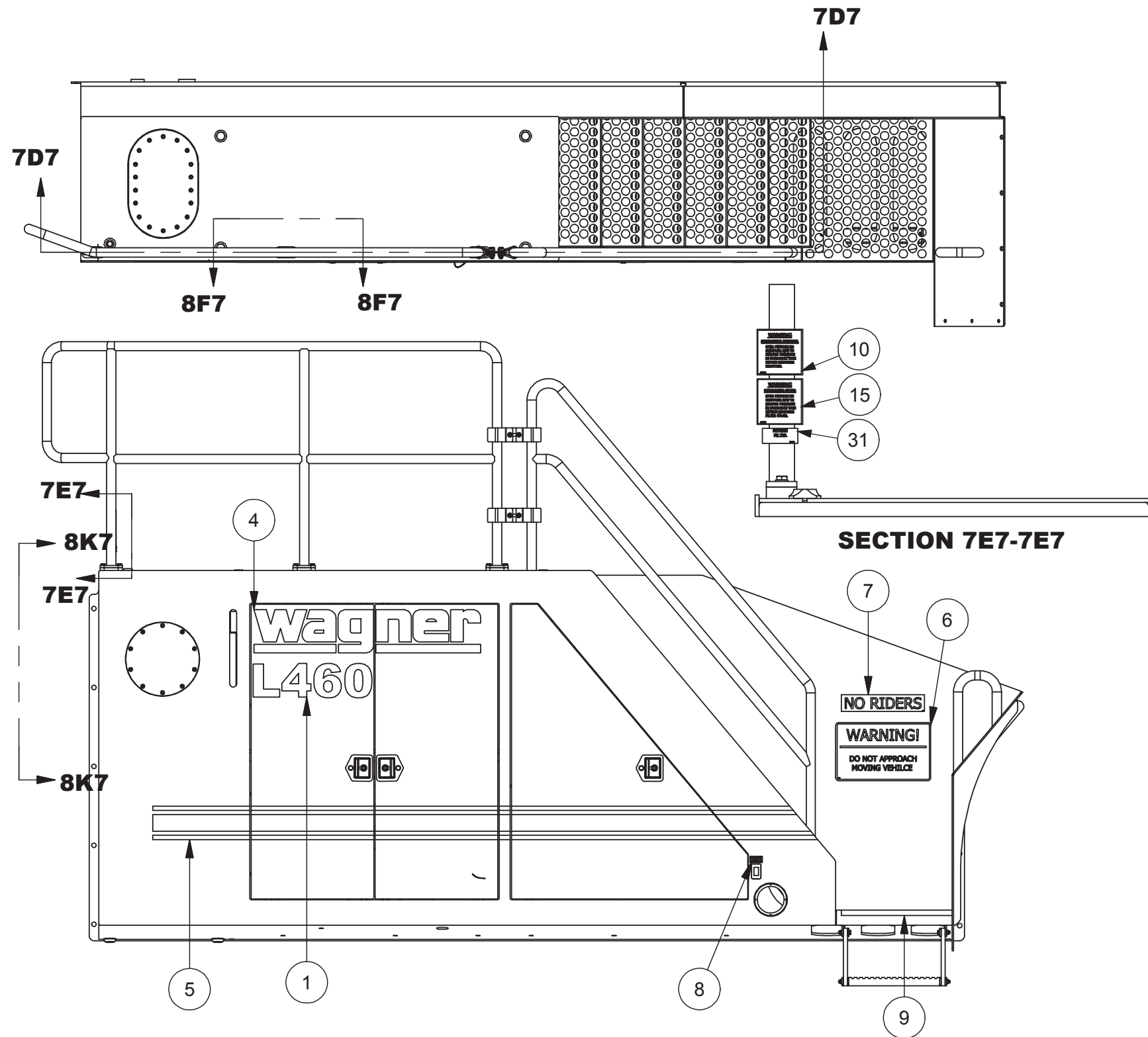
Item	Part No.	Qty	Description	Item	Part No.	Qty	Description
594871 Finis Decals, RH Service Bay							
1	594878	1	. Decal, L460	17	587606	1	. Decal, Filter Element
4	593266	1	. Decal, Wagner	20	587065	1	. Label, Radiator Fan Pump Pressure
5	529474	12'	. Decal, Racing Strip	31	587103	1	. Label, Return Filter
6	547451	1	. Decal, Warning, Do Not Approach	32	587104	1	. Label, Transmission Filter
7	547453	1	. Decal, No Riders	40	596118	1	. Label, Oil Level
8	593270	1	. Decal, Stairway Lighting	41	594326	1	. Label, Engine Oil Filter
9	594140	1RI	. Tape, Reflective Marking	42	587386	1	. Element, Filter
10	557352	1	. Decal, Breather	43	595623	1	. Decal, Element
11	593271	1	. Decal, Engine Oil Drain	44	545430	1	. Decal, Warning No Clearance
13	593272	1	. Decal, Hyd Tank Fill	45	594623	1	. Filter, 10 Micron
14	593301	1	. Decal, Hyd Oil Check	46	596119	1	. Decal, Oil Level
15	557353	1	. Decal, Filter Pressure				



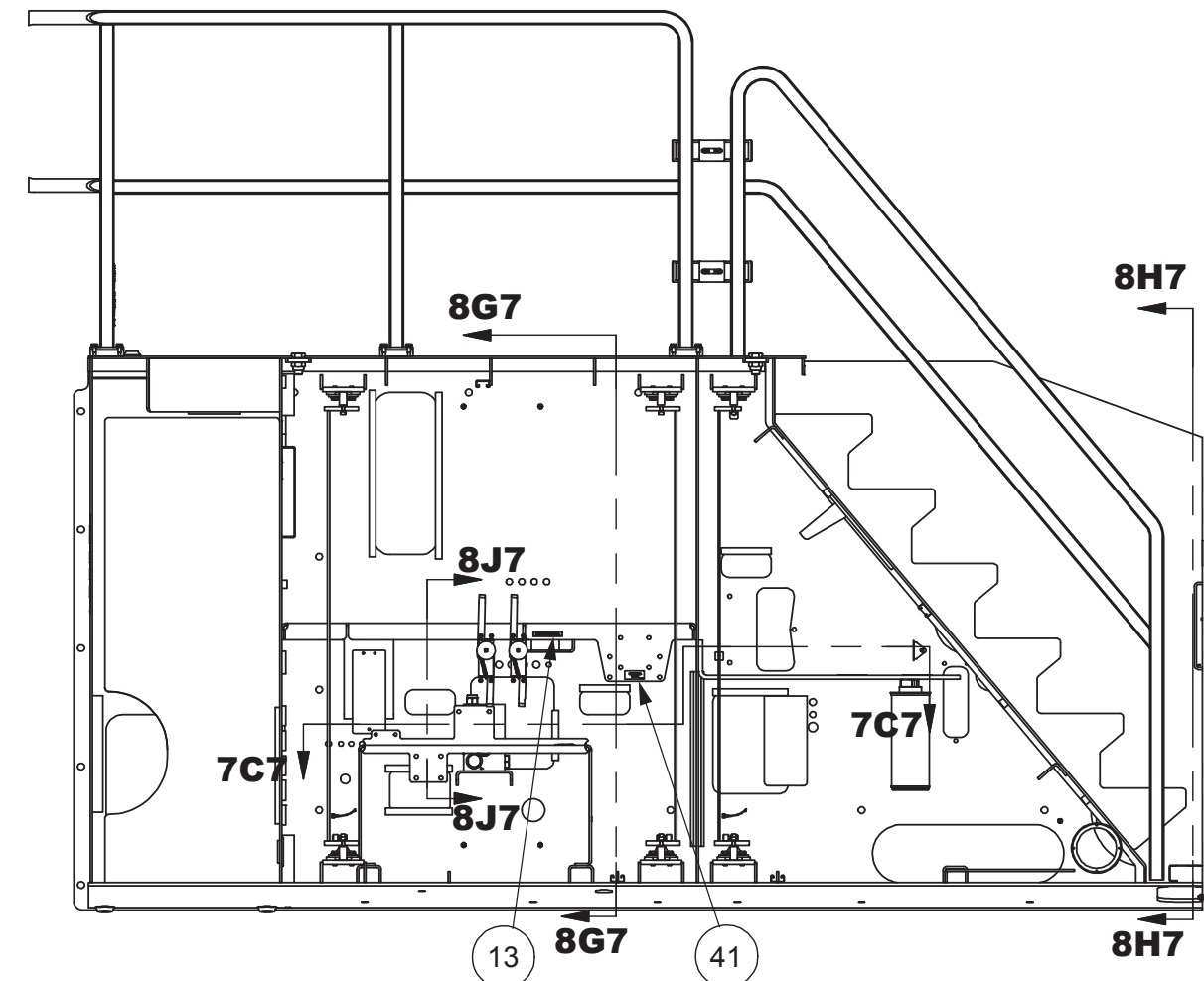
SECTION 8H7-8H7

ITEM 9 REFLECTIVE TAPE, TO BE INSTALLED ON BOTH SIDES. PART TO WRAP OVER RADIUS ON STEP WITH EQUAL LENGTH VERTICAL AND HORIZONTAL.





SECTION 7C7-7C7



SECTION 7D7-7D7