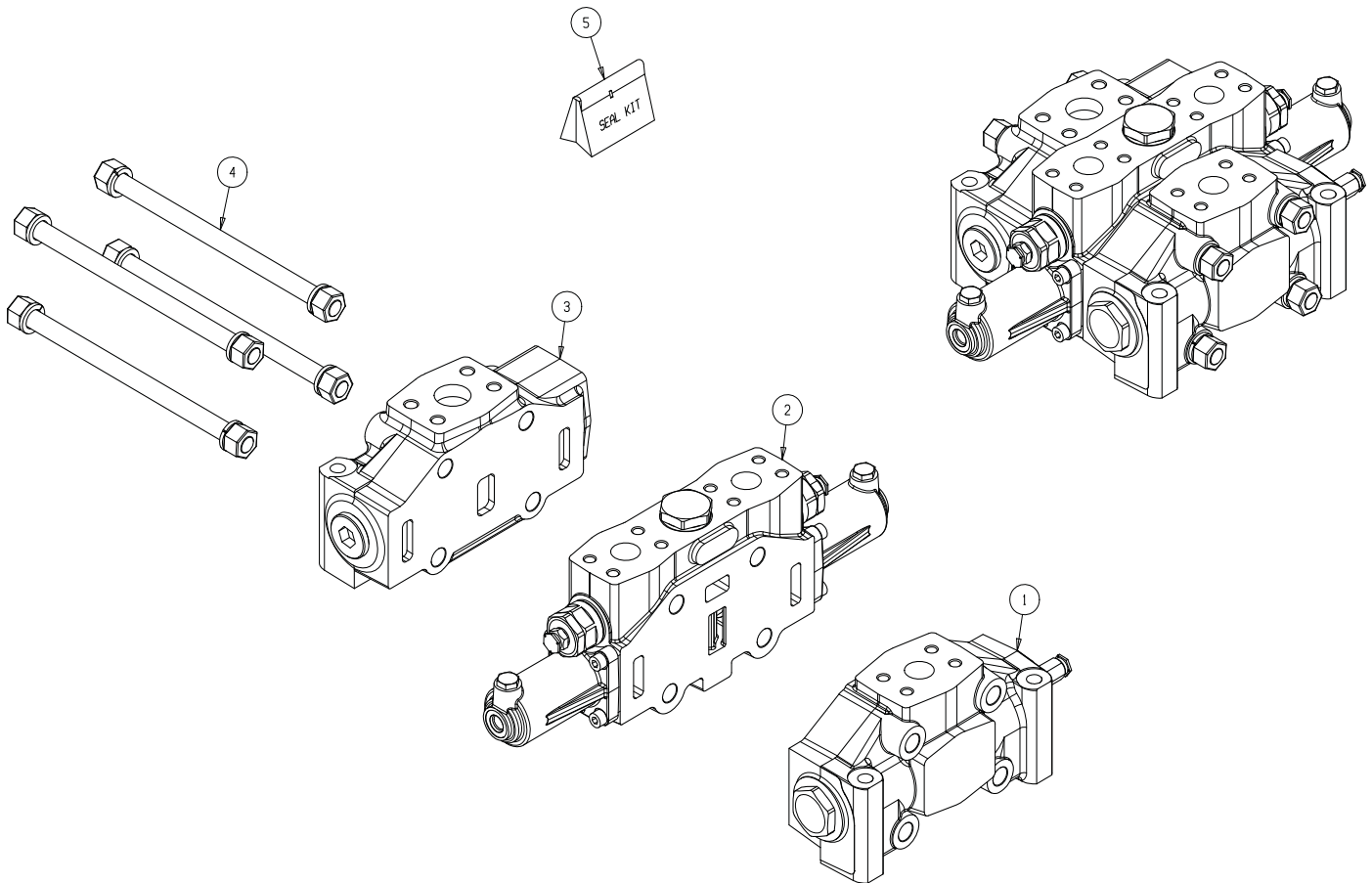
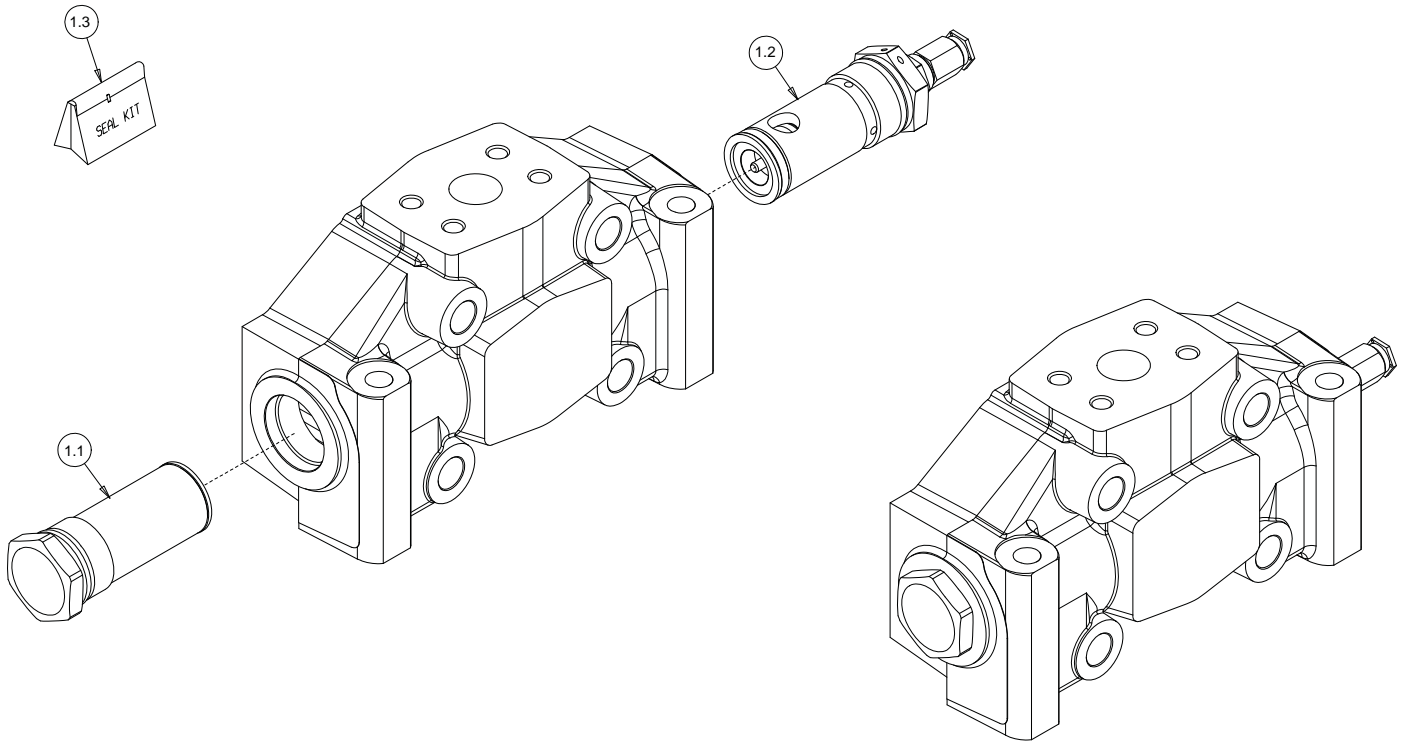

Valve, 1 Section; Implement

Valve, 1 Section; Implement



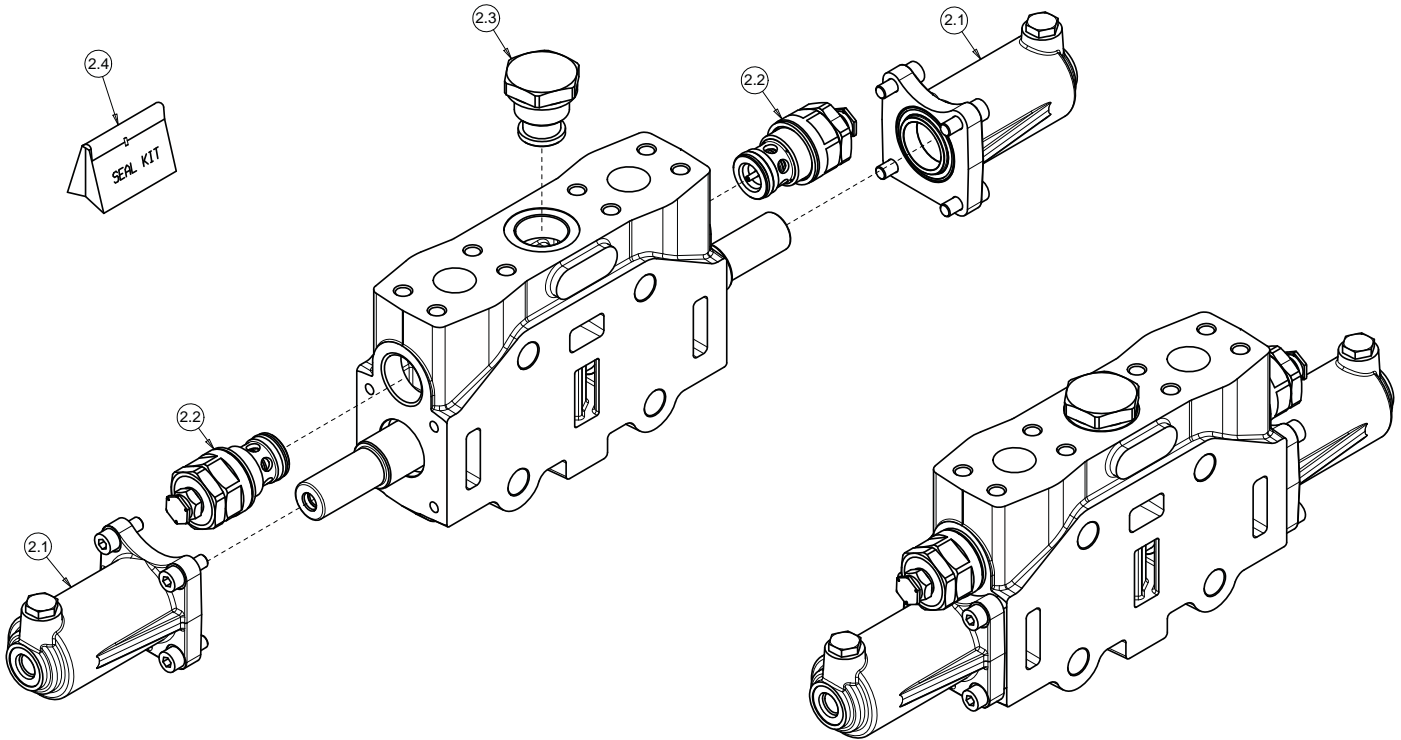
Item	Part No.	Qty	Description	Item	Part No.	Qty	Description
	594834		Valve, 1 Section; Implement				
1	596356	1	. Section, Inlet (see page 3)				
2	596357	1	. Section, Work (see page 4)				
3	596358	1	. Section, Outlet (see page 5)				
5	596359	1	. Kit, Tie Rod; W/Nuts & Washers				
6	596360		Kit, Seal				

Section, Inlet



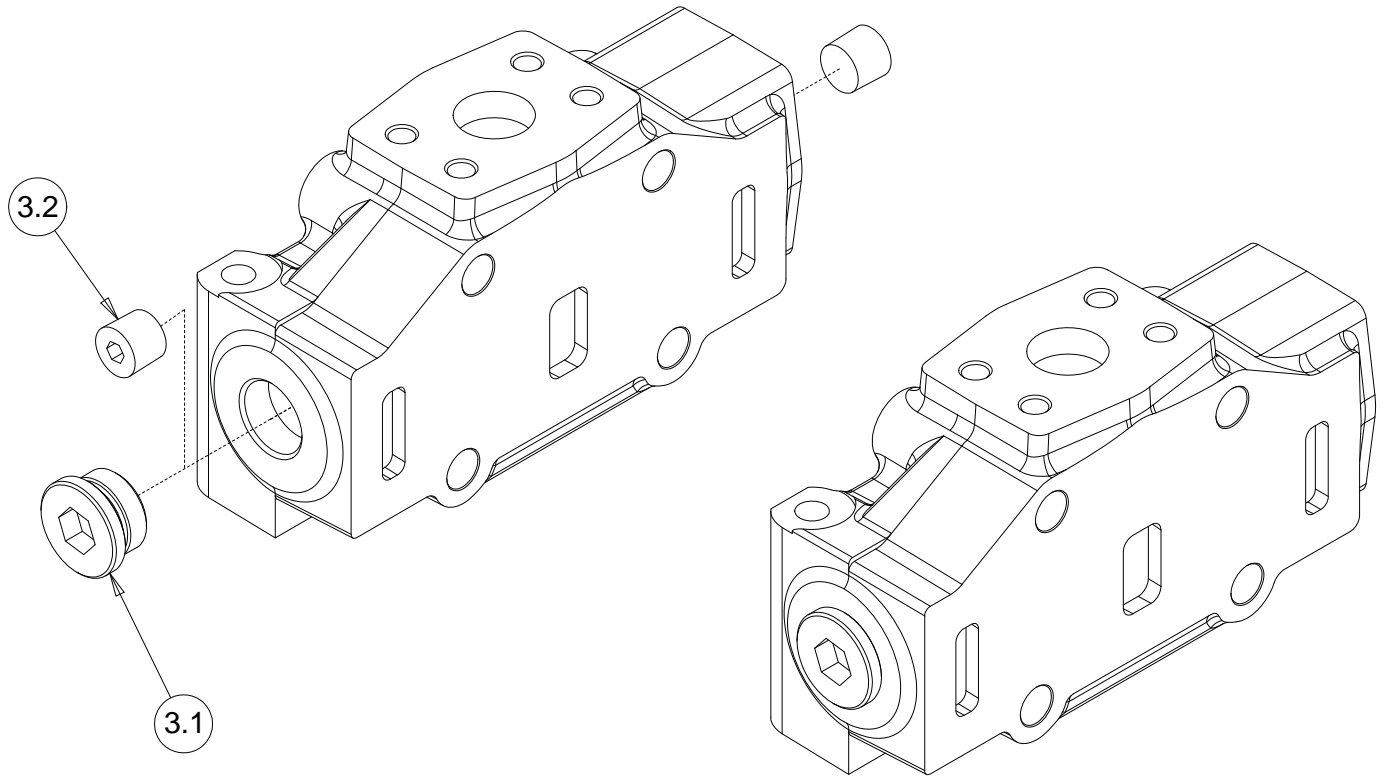
Item	Part No.	Qty	Description	Item	Part No.	Qty	Description
	596356	1	Section, Inlet				
1.1	593506	1	. Plug				
1.2	593480	1	. Relief Valve				
1.3	596361	1	Kit, Seal				

Section, Work



Item	Part No.	Qty	Description	Item	Part No.	Qty	Description
	596357		Section, Work				
2.1	596362	1	. Spool, Return				
2.2	593492	1	. Spool Valve				
2.3	593500	1	. Valve, Check				
2.4	596363	1	Kit, Seal				

Section, Outlet



Item	Part No.	Qty	Description	Item	Part No.	Qty	Description
	596358		Section, Outlet				
3.1	593505	1	. Plug				
3.2	593504	2	. Plug				