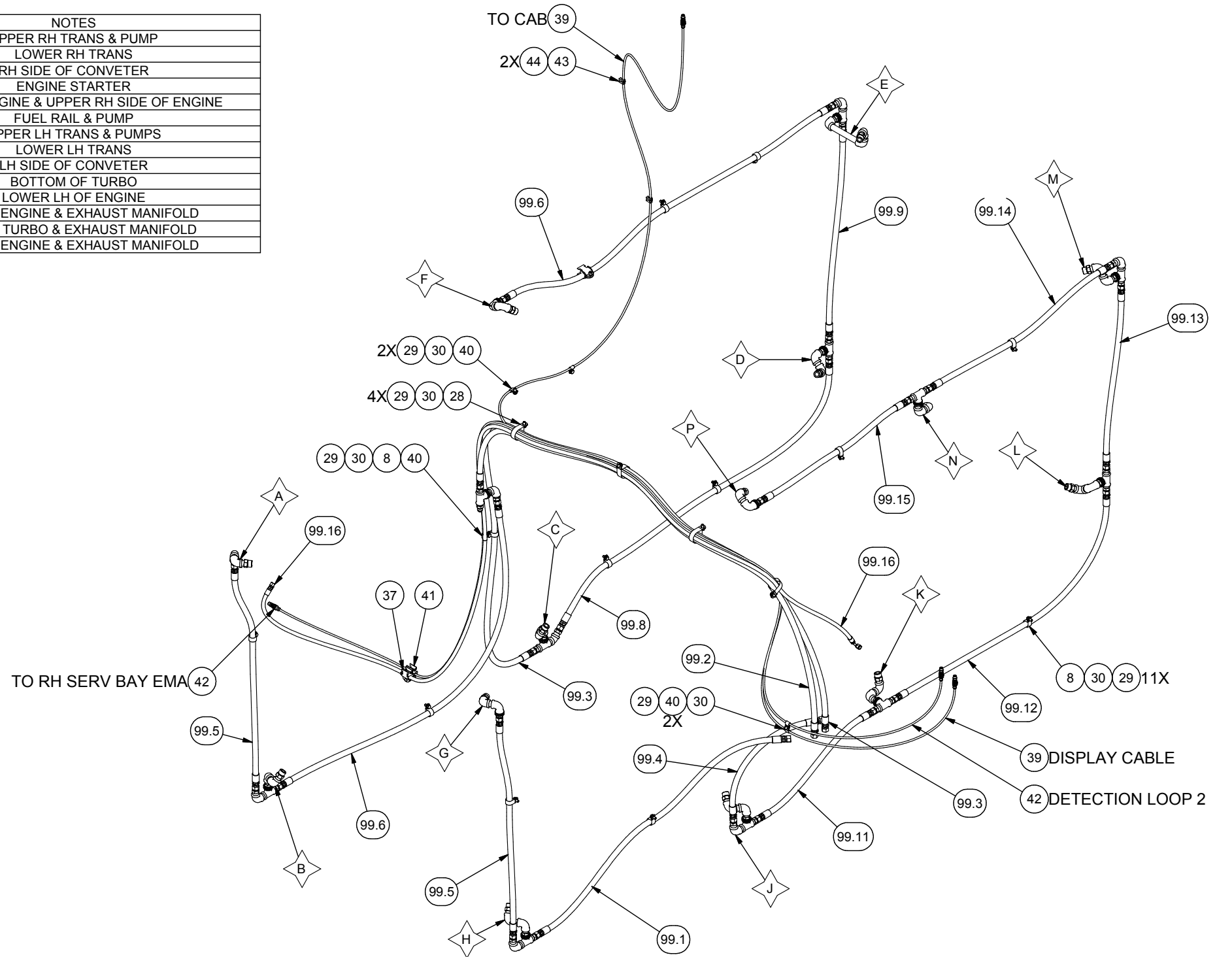
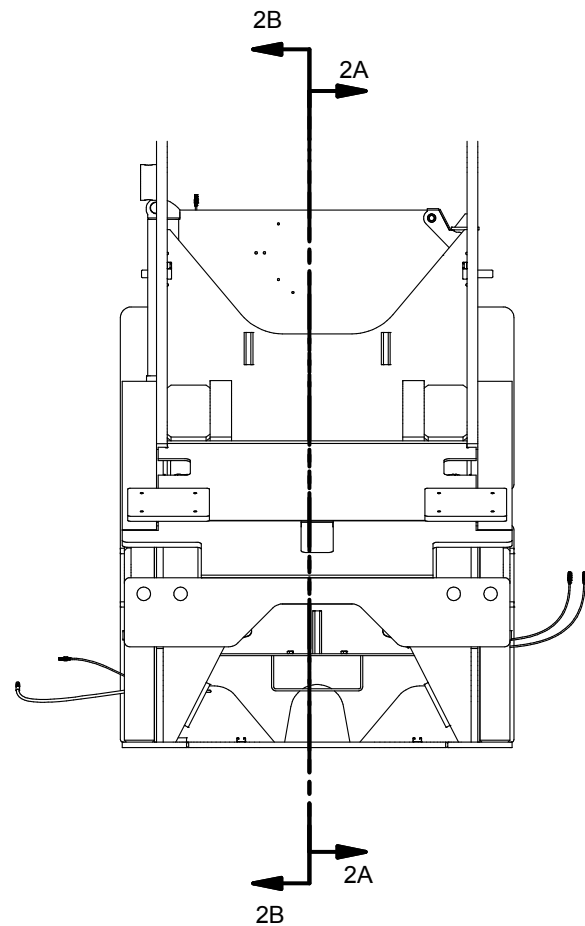

**Fire Suppression, Chassis, Auto,
Components**

Fire Suppression, Chassis, Auto, Components

Item	Part No.	Qty	Description	Item	Part No.	Qty	Description
	594826		Fire Suppr, Chassis, Auto, Cmnpts				
1	249733	11	. Tee, Pipe	41	231252	1	. Clamp
2	589926	20	. Nipple, Pipe	42	-----	1	. Cable, Detection Ckt
3	-----	30	. Lockwasher	43	595326	2	. Mount, Tack
4	249732	35	. Elbow, Pipe	44	249329	2	. Cable Tie, Dbl Loop
5	-----	14	. Kit, Nozzle	45	595376	1	. Elbow, Pipe
6	209161	11	. Fitting	99.	595474	1	. Kit, Hose
7	209633	27	. Fitting	99.1	258540	1	.. Hose Assembly
8	R13808097	12	. Clip, Insul	99.2	592259	1	.. Hose Assembly
28	209702	4	. Clamp	99.3	595523	1	.. Hose Assembly
29	296418W	19	. Hard Washer	99.4	254279	1	.. Hose Assembly
30	251118	19	. Capscrew	99.5	254458	2	.. Hose Assembly
31	590087	2RL	. Tape	99.6	593574	2	.. Hose Assembly
32	-----	0	. Cap, Blow-Off	99.8	591470	1	.. Hose Assembly
33	Y27E-14	6	. Washer	99.9	591105	1	.. Hose Assembly
34	YHGB 06	3'	. Hose Guard	99.11	218708	1	.. Hose Assembly
35	15367W	1	. Nipple, Pipe	99.12	588277	1	.. Hose Assembly
36	231537	1	. Clamp	99.13	591476	1	.. Hose Assembly
37	231251	1	. Clamp	99.14	596412	1	.. Hose Assembly
38	209578	1	. Clamp	99.15	592257	1	.. Hose Assembly
39	-----	1	. Cable, Display	99.16	595524	1	.. Hose Assembly
40	R13803027	5	. Clip, Insul				

Fire Suppression System should be serviced
by an authorized ANSUL service technician.

NOZZLE	6" PIPE EXTENSION	NOTES
A		UPPER RH TRANS & PUMP
B		LOWER RH TRANS
C		RH SIDE OF CONVETER
D		ENGINE STARTER
E	YES	ECM ON ENGINE & UPPER RH SIDE OF ENGINE
F		FUEL RAIL & PUMP
G		UPPER LH TRANS & PUMPS
H		LOWER LH TRANS
J		LH SIDE OF CONVETER
K		BOTTOM OF TURBO
L		LOWER LH OF ENGINE
M		TOP OF ENGINE & EXHAUST MANIFOLD
N		TOP OF TURBO & EXHAUST MANIFOLD
P		TOP OF ENGINE & EXHAUST MANIFOLD



NOTES:

- ITEMS 31, 32, 33, & 34 ARE NOT SHOWN. ITEM 31 IS TO BE USED ON ALL TREADED PIPE CONNECTIONS. ITEM 32 COMES WITH NOZZLE KIT. ITEM 33 IS TO BE USED WHEN THREADS BOTTOM OUT WHEN ATTACHING FITTINGS TO NOZZLE BRACKET. ITEM 34 IS USED WHEN PASSING HOSES THROUGH OR AROUND ANY SHARP EDGES OF DECK OR BULKHEAD.
- MINIMUM BEND RADII FOR PARKER 426 HOSE:
#4 --- 4.00 IN, #8 --- 7.00 IN, # 12 --- 9.50 IN.
- ALL ANSUL CHECKFIRE CABLE HAVE A MINIMUM BEND RADIUS OF 2.5 INCHES.

