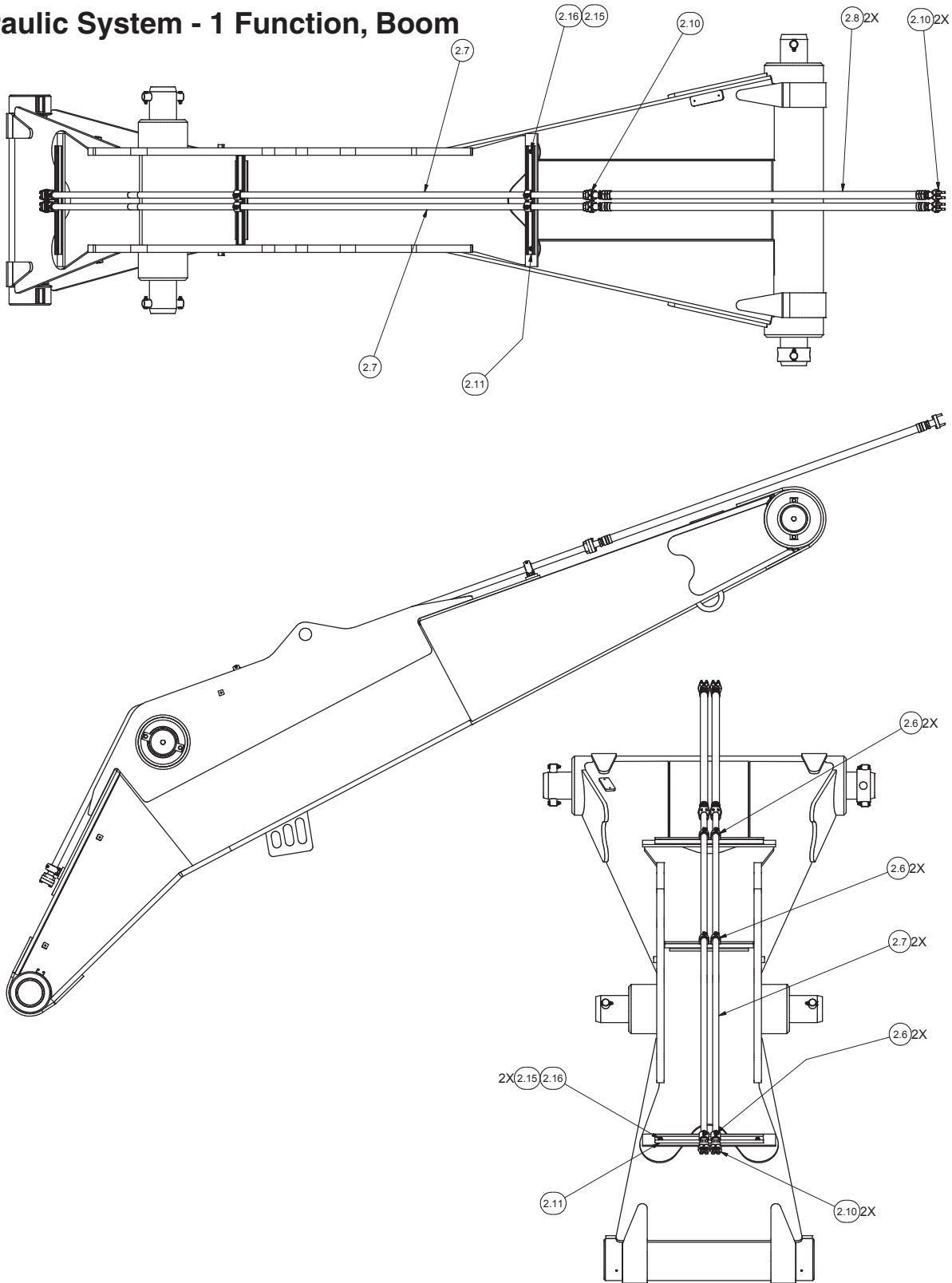


Hydraulic System - 1 Function, Boom



Item	Part No.	Qty	Description	Item	Part No.	Qty	Description
	<b>594821</b>		<b>Hydraulic System, 1 Function Boom</b>				
2.6	231249	6	. Clamp	2.11	592506	2	. Channel
2.7	592354	2	. Tube Weldment	2.15	296420W	4	. Hard Washer
2.8	593672	2	. Hose Assembly	2.16	Y23C-M1012	4	. Capscrew
2.10	11759	6	. Kit, Split Flange				
	203443	1	. O-Ring				