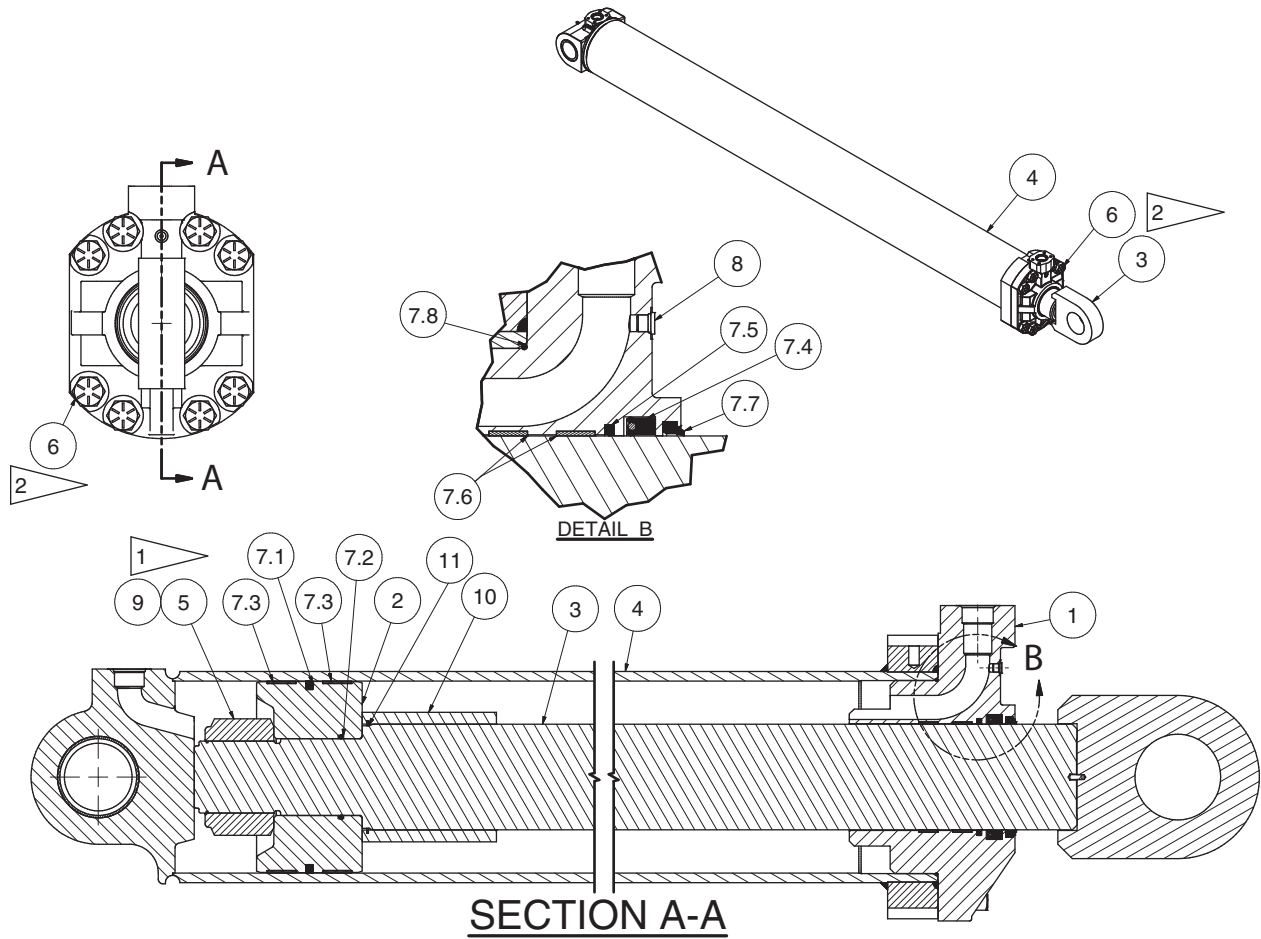


Cylinder Assembly - Hoist



TORQUE REQUIREMENT NOTES:

- 1 TORQUE ITEM 5, 3 3/4-12 UN NUT TO 3,500 FT-LBS
USE LOCTITE 277 WITH HEX NUT 594721.
- 2 TORQUE ITEM 6, 1 1/4-12 UNF CAPSCREWS TO 1,000 FT-LBS
- 3 REMOVE DIRT, LOOSE SCALE, BURRS AND PAINT FROM THE
MATING SURFACES OF BOLTED JOINTS.

Item	Part No.	Qty	Description	Item	Part No.	Qty	Description
	594773		Cylinder Assembly - Hoist				
1	591189	1	. Packing Gland	7	593825	1	. Kit, Packing
2	593791	1	. Piston, Cylinder	7.1	593463	1	.. Seal, Piston
3	593809	1	. Weldment, Stem	7.2	203467	1	.. O-Ring
4	593821	1	. Weldment, Barrel & Base	7.3	70384.1000	2	.. Wear Ring, Piston
5	594721	1	. Nut, Esna	7.4	Y437152.284	1	.. Seal
6	230260	8	. Capscrew	7.5	69768.0550	1	.. Seal, Buffer
				7.6	70385.0550	2	.. Wear Ring, Rod
				7.7	23569	1	.. Wiper Ring
				7.8	14718W	1	.. O-Ring
				8	235387	1	. Fitting
				9	222689	1BTL	. Threadlock
				10	N/A	-	. Spacer
				11	N/A	-	. Retaining Ring