

---

LH Service Bay Components

## LH Service Bay Components

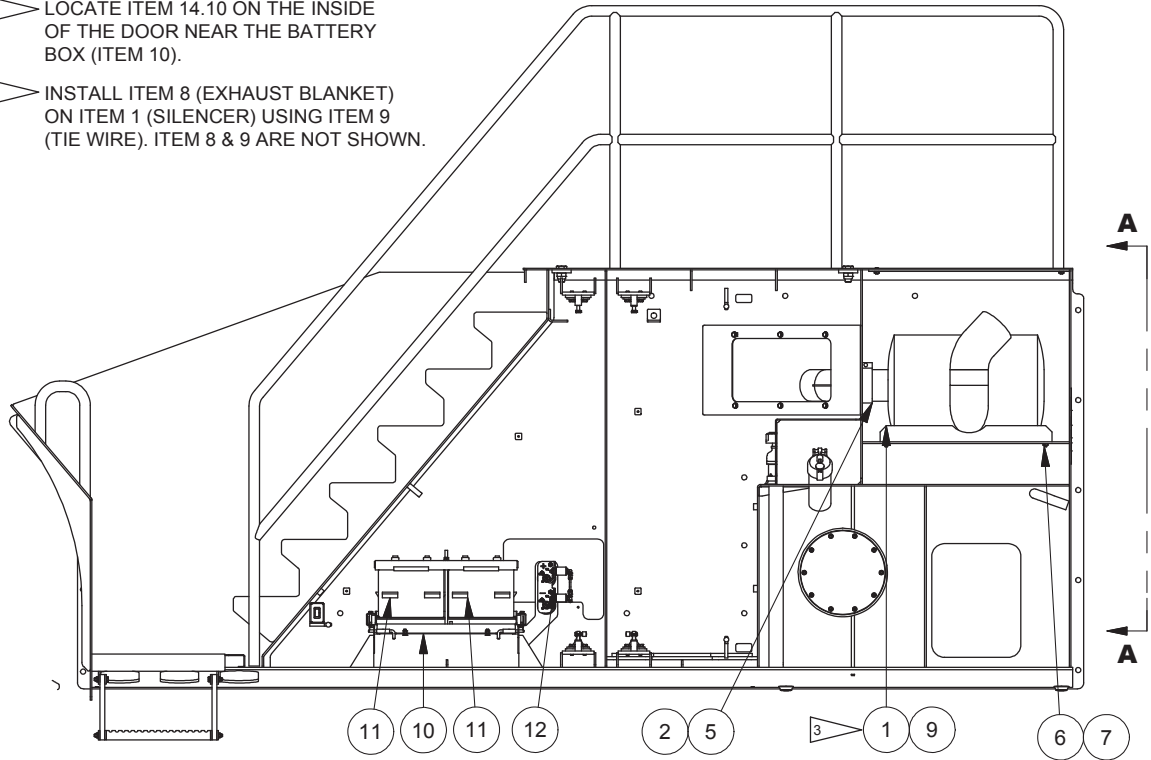
Item	Part No.	Qty	Description	Item	Part No.	Qty	Description
	<b>594600</b>		<b>LH Service Bay Components</b>				
1	596259	1	. Silencer Weldment				
2	218299	1	. Elbow				
5	226586	1	. Seal Clamp				
6	293628W	4	. Capscrew				
7	296420W	4	. Hard Washer				
8	*b 258751	1	. Exhaust Blanket				
9	*b 223922	144IN	. Wire, Tie				
10	*a 582937	1	. Battery Box Installation				
11	200220	2	. Battery				
12	*a 591795	1	. Kit, Battery Shut-Off				
13	906182	1	. Switch, Rocker				
14	*a 594873	1	. Finish Decals, LH Service Bay				

\*a See Separate Coverage

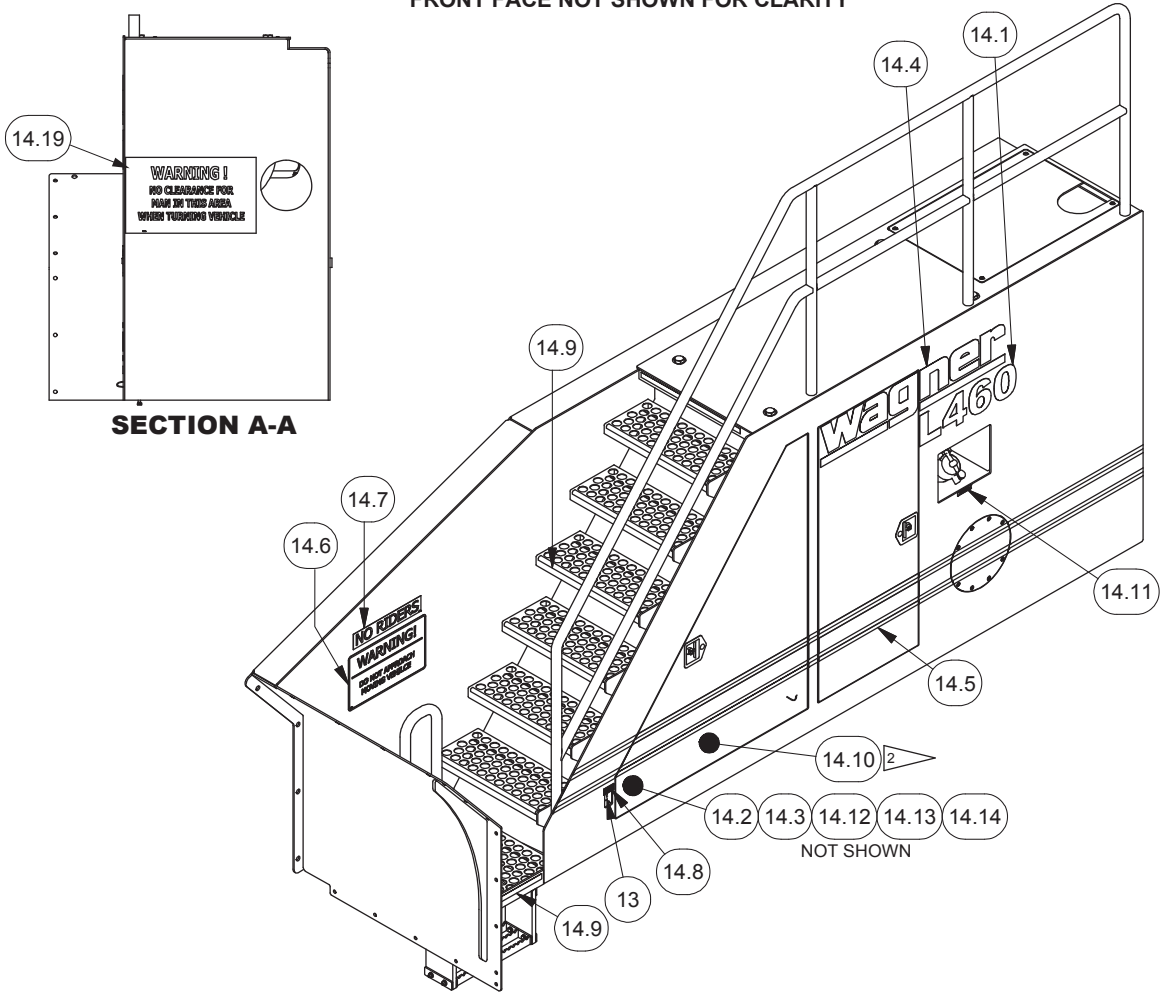
\*b Not Shown

**NOTES:**

- 2 LOCATE ITEM 14.10 ON THE INSIDE OF THE DOOR NEAR THE BATTERY BOX (ITEM 10).
- 3 INSTALL ITEM 8 (EXHAUST BLANKET) ON ITEM 1 (SILENCER) USING ITEM 9 (TIE WIRE). ITEM 8 & 9 ARE NOT SHOWN.



FRONT FACE NOT SHOWN FOR CLARITY



SECTION A-A

NOT SHOWN