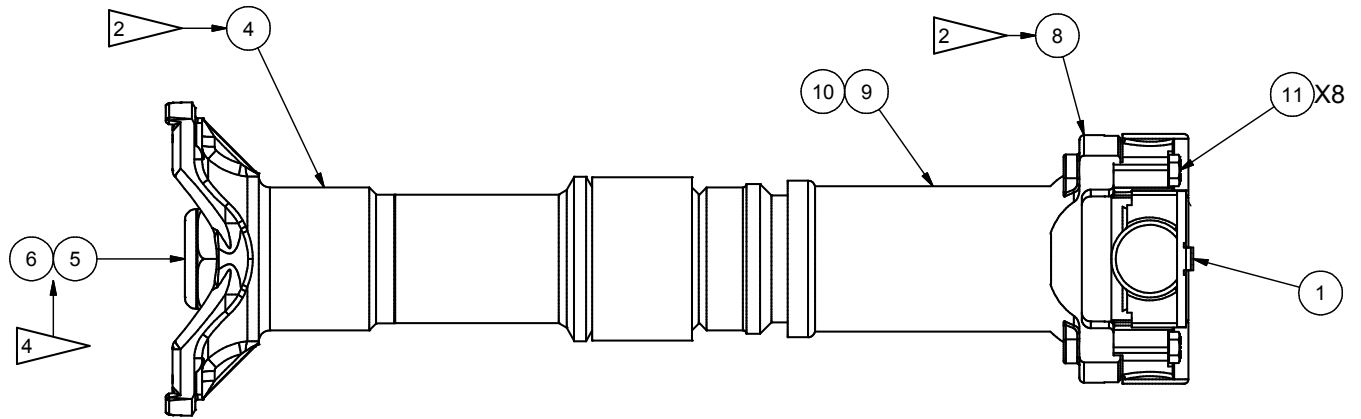


Driveline



NOTES:

- 2. YOKE ALIGNMENT (ITEM 4 & ITEM 8) WITHIN 1.5° OF ONE ANOTHER.
- 4. INSTALLATION TORQUE ON VEHICLE 460-500 FT-LBS.

| Item | Part No.      | Qty | Description               | Item | Part No. | Qty | Description   |
|------|---------------|-----|---------------------------|------|----------|-----|---------------|
|      | <b>594593</b> |     | <b>Driveline Assembly</b> |      |          |     |               |
| 1    | 212389        | 1   | . Cross Assembly          | 8    | 250274   | 1   | . Yoke, Slip  |
| 2    | 594592        | 1   | . Tube, Driveline         | 9    | 250275   | 1   | . Tube, Cover |
| 3    | 253422        | 1   | . Stub, Splined           | 10   | 250091   | 1   | . Seal, Shaft |
| 4    | 250089        | 1   | . Yoke, End               | 11   | 221577W  | 8   | . Capscrew    |
| 5    | 250087        | 1   | . Nut, Self Locking       |      |          |     |               |
| 6    | 250088        | 1   | . Washer                  |      |          |     |               |
| 7    | 250273        | 1   | . Stub, Slip              |      |          |     |               |

---

INTENTIONALLY BLANK