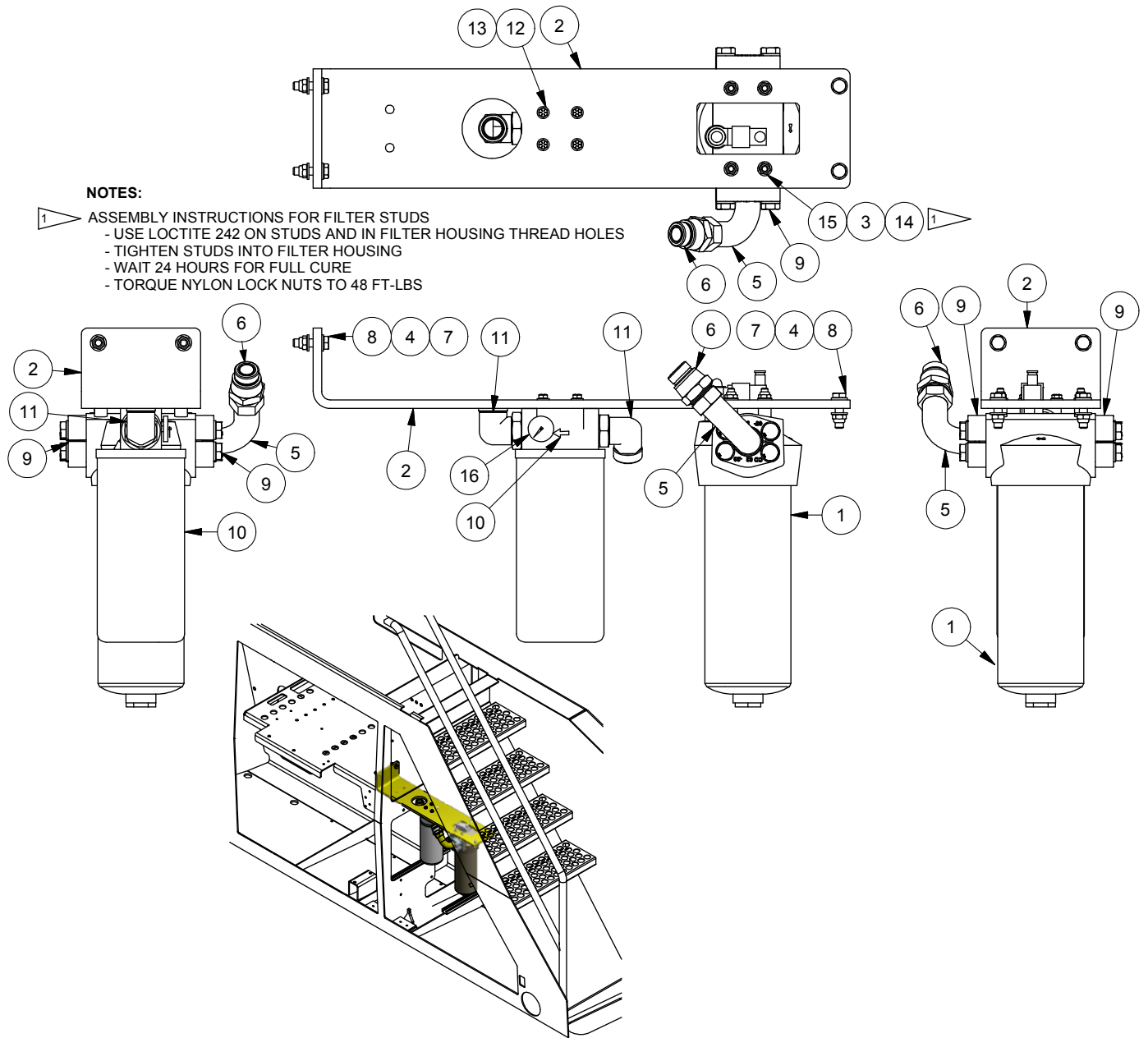


Hydraulic System, RH Service Bay - Filter



NOTES:

- ▶ ASSEMBLY INSTRUCTIONS FOR FILTER STUDS
- USE LOCTITE 242 ON STUDS AND IN FILTER HOUSING THREAD HOLES
- TIGHTEN STUDS INTO FILTER HOUSING
- WAIT 24 HOURS FOR FULL CURE
- TORQUE NYLON LOCK NUTS TO 48 FT-LBS

Item	Part No.	Qty	Description	Item	Part No.	Qty	Description
	<b>594509</b>		<b>Hyd. Syst. RH Service Bay - Filter</b>				
1	* 587385	1	. Pressure Filter		245579	4	.. Capscrew
2	594624	1	. Plate, Filter Mount		296424W	4	.. Hard Washer
3	296420W	4	. Hard Washer	10	* 594622	1	. Filter Assembly
4	296422W	8	. Hard Washer	11	231455	2	. Fitting
5	237329	1	. Fitting	12	R13802914	4	. Hard Washer
6	244959	1	. Fitting	13	R13811014	4	. Capscrew
7	302402W	4	. Locknut	14	596261	4	. Stud
8	248986	4	. Capscrew	15	302401W	4	. Locknut
9	594503	2	. Kit, Split Flange	16	596414	1	. Gauge, Indicator
	61480	2	.. Flange Clamp				
	203446	1	.. O-Ring				

\* See Separate Coverage