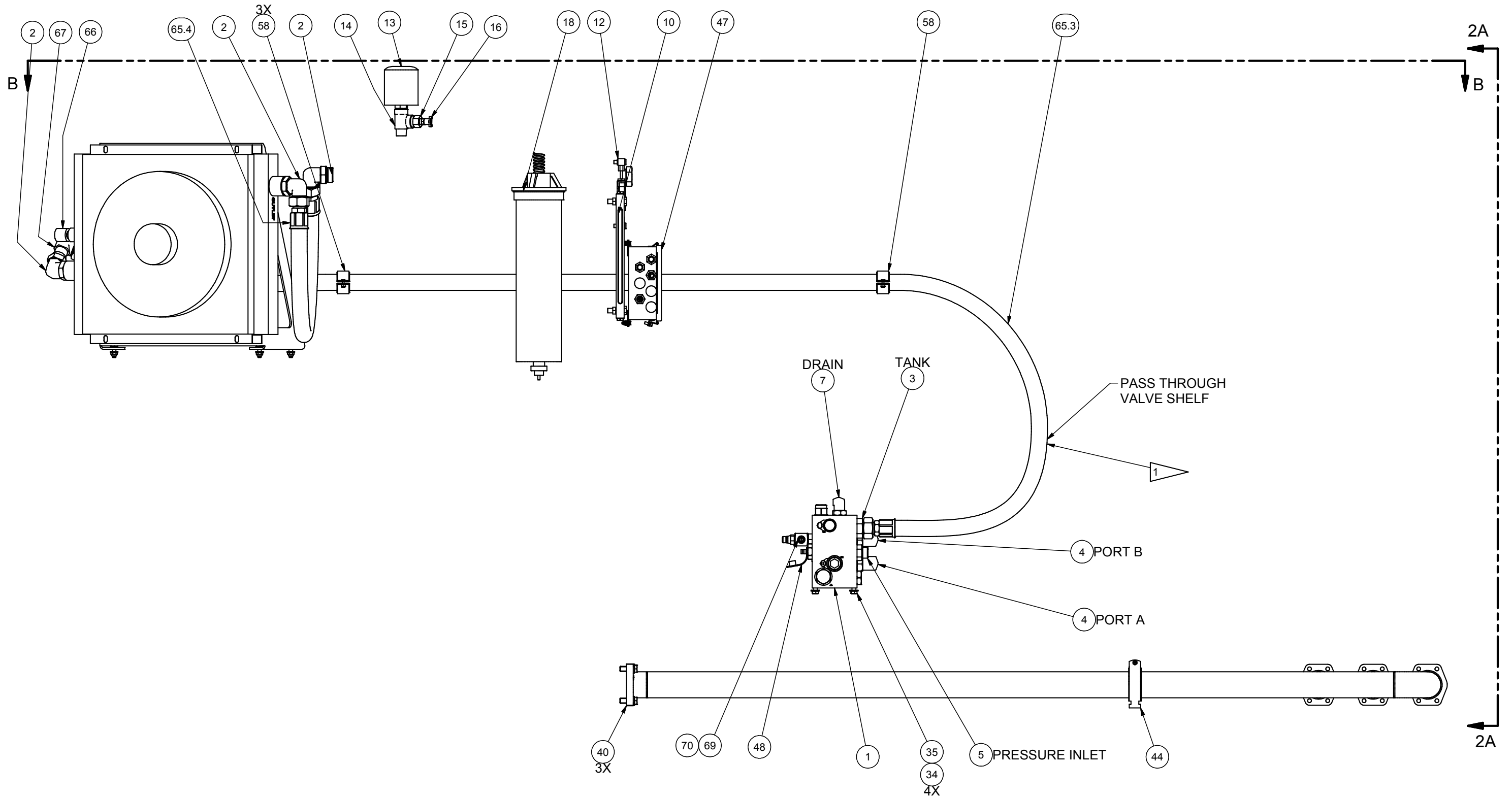

Hydraulic System, RH Service Bay, Tank

Hydraulic System, RH Service Bay, Tank

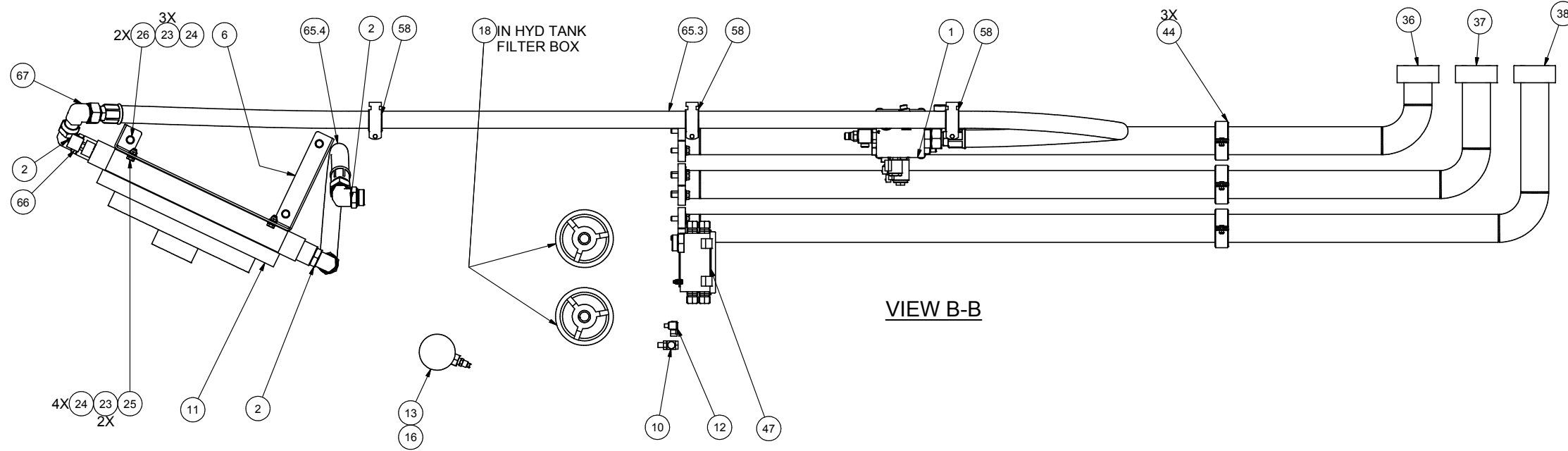
Item	Part No.	Qty	Description	Item	Part No.	Qty	Description
	594434		Hydraulic System Rh Serv Bay, Tank				
1	* 253988	1	. Manifold Assembly	34	R13811432	4	. Hard Washer
2	231455	3	. Fitting	35	R13811052	4	. Capscrew
3	232359	1	. Fitting	36	592399	1	. Pipe
	232384	1	. . O-Ring	37	592398	1	. Pipe
4	R833272	2	. Fitting	38	592397	1	. Pipe
5	R833127	1	. Fitting	40	592278	3	. Kit, Split Flange
6	591910	1	. Bracket	41	296417W	8	. Hard Washer
7	R833260	1	. Fitting	42	302399W	4	. Hex Nut
10	592058	1	. Gauge , Sight Level	43	292501W	4	. Capscrew
11	* 258300	1	. Cooler, Hydraulic Oil	44	588316	3	. Clamp
12	245334	1	. Indicator, Elec/Vis	45	209139	1	. Fitting
13	224744	1	. Filler Breather	46	YHGB 06	1'	. Hose Guard
14	209159	1	. Fitting	47	* 592457	1	. Junction Box Assembly
15	209505	1	. Fitting	48	R14040	1	. Coupler, Male
16	211398	1	. Draincock	58	CLP0100175	3	. Clamp
18	* 243457	2	. Filter, Return	65	594493	1	. Kit, Hose
23	296420W	14	. Hard Washer	65.3	595626	1	. . Hose Assembly
24	302401W	7	. Locknut	65.4	595740	1	. . Hose Assembly
25	293628W	4	. Capscrew	66	593945	1	. Switch, Temp
26	293629W	3	. Capscrew	67	R833806	1	. Fitting
				69	R833406	1	. Fitting
				70	R13521	1	. Fitting

* See Separate Coverage

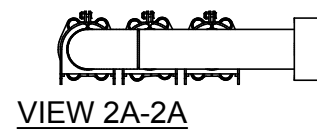
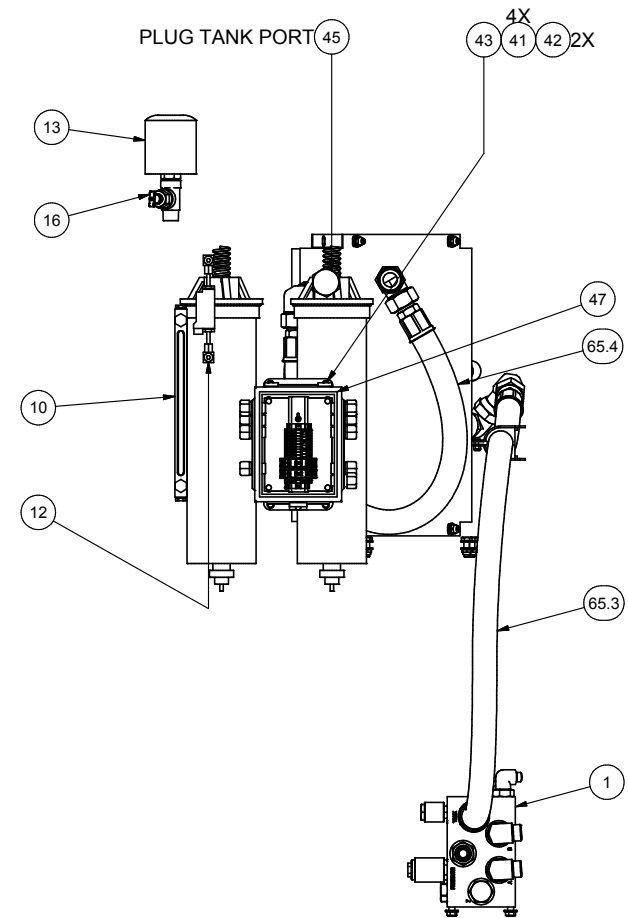


NOTES:

1 ITEM 46 IS NOT SHOWN. USED TO PROTECT HOSES WHEN PASSING THROUGH BULK HEAD OR AROUND SHARP EDGES.



VIEW B-B



VIEW 2A-2A

