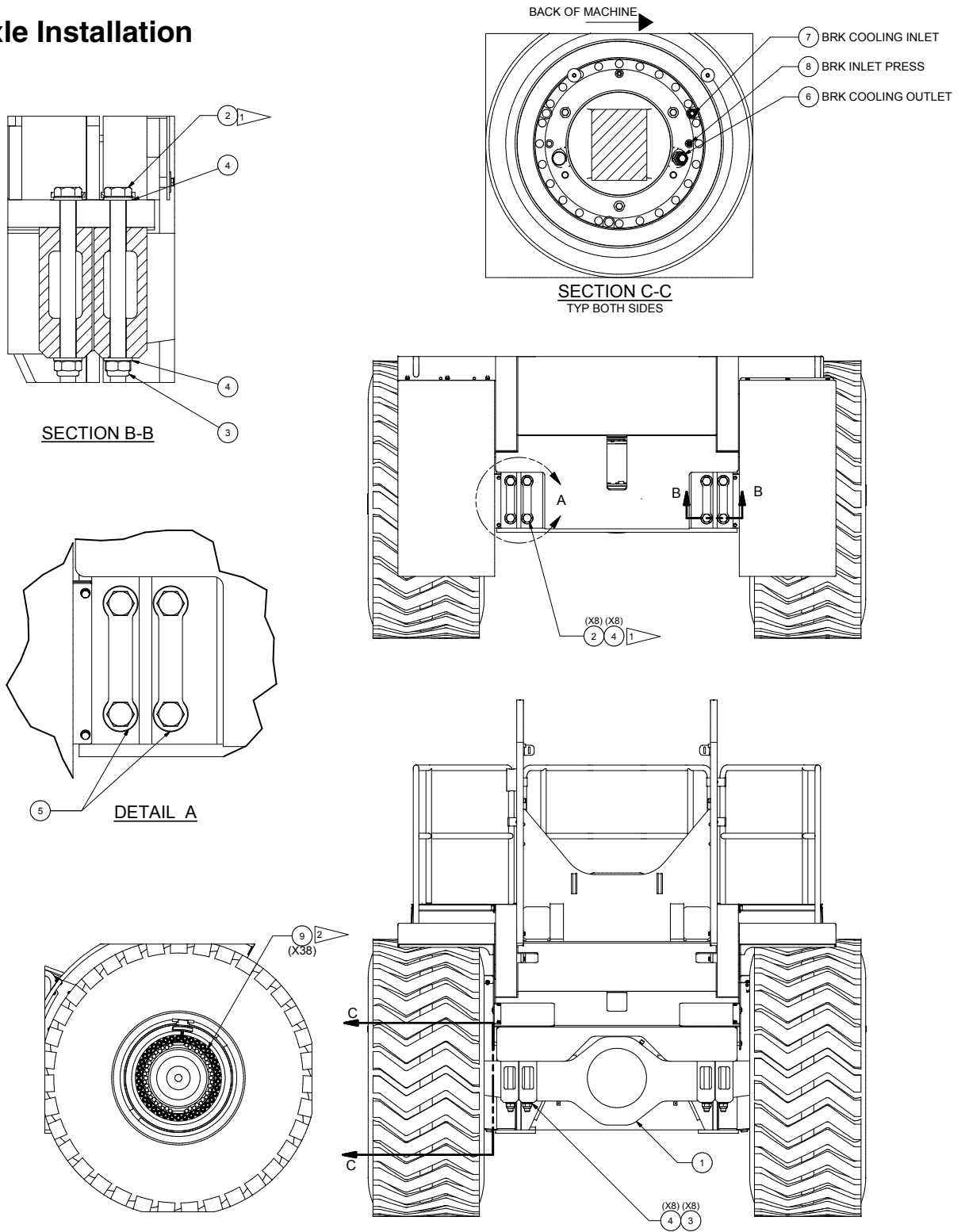


Kit, Axle Installation



NOTES:

- 1. TORQUE TO 3150 FT-LBS. USE ITEM 4 TO PREVENT BOLTS FROM SPINNING WHILE TIGHTENING
- 2. TORQUE ITEM 9 TO 450-500 FT-LBS.

Item	Part No.	Qty	Description	Item	Part No.	Qty	Description
594415 Kit, Axle Installation, W/Wet Disc Brake							
1	* 594414	1	. Axle, Front	6	591857	2	. Fitting
2	591845	8	. Capscrew	7	591858	2	. Fitting
3	591847	8	. Nut	8	594420	2	. Fitting
4	591855	16	. Hard Washer	9	591870	76	. Nut, Wheel
5	591844	4	. Plate, Bolt Lock				* See Separate Coverage