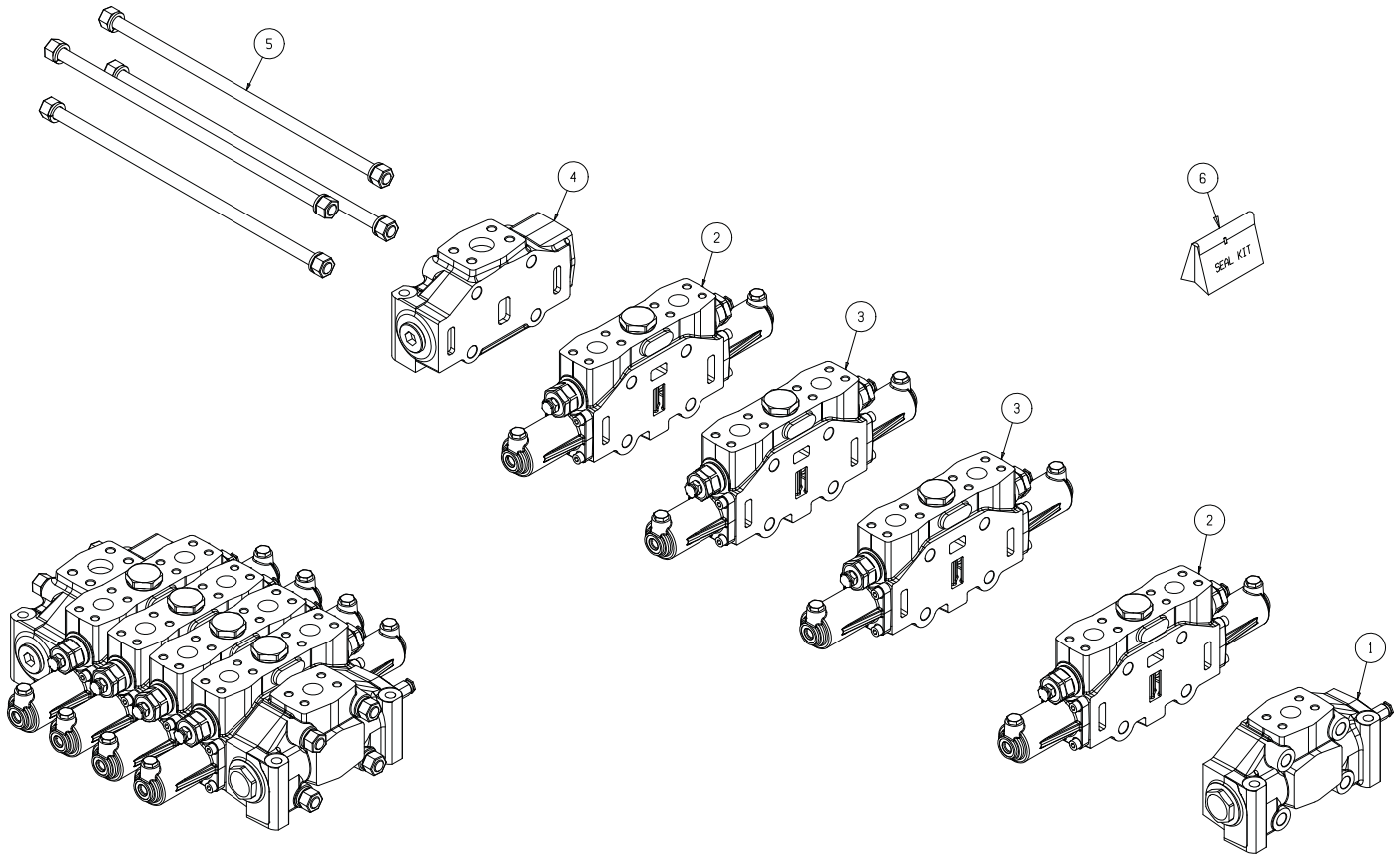
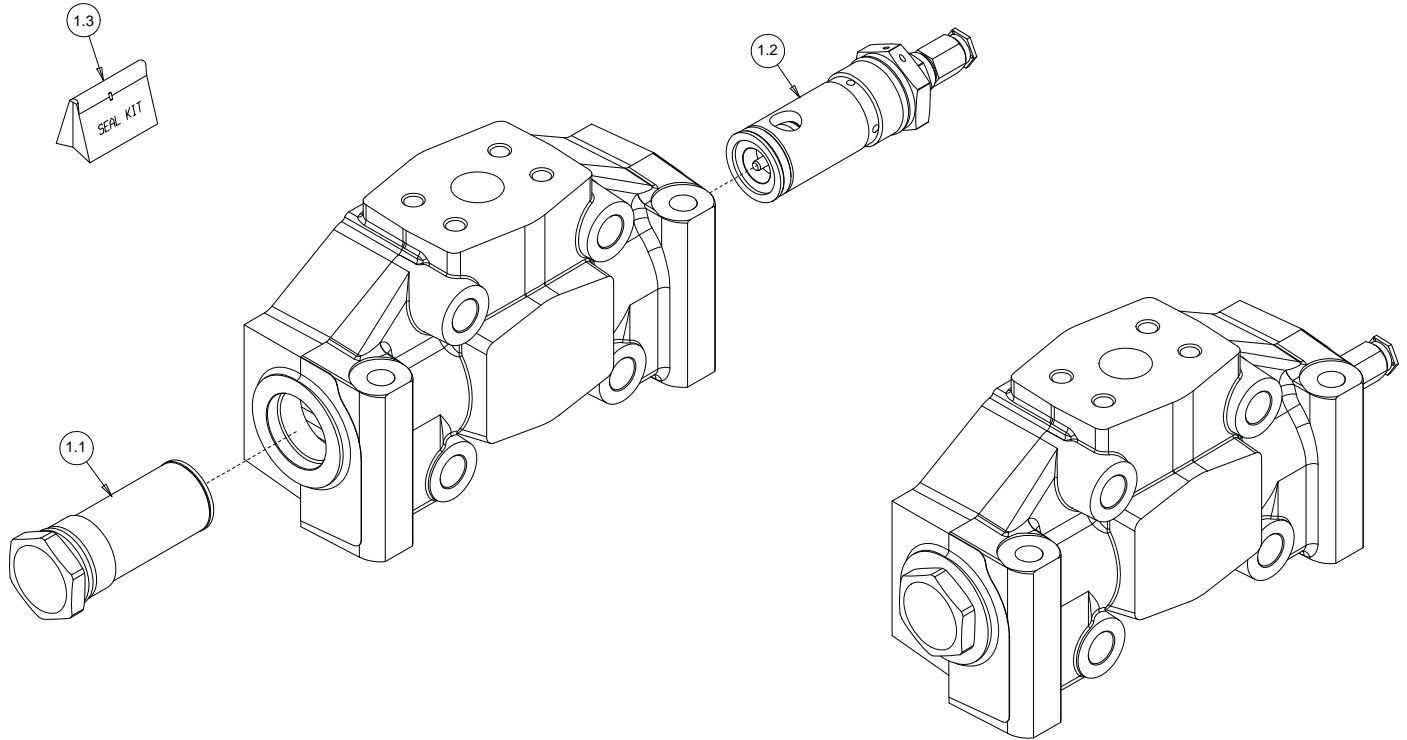

Valve, 4 Section; Implement

Valve, 4 Section; Implement



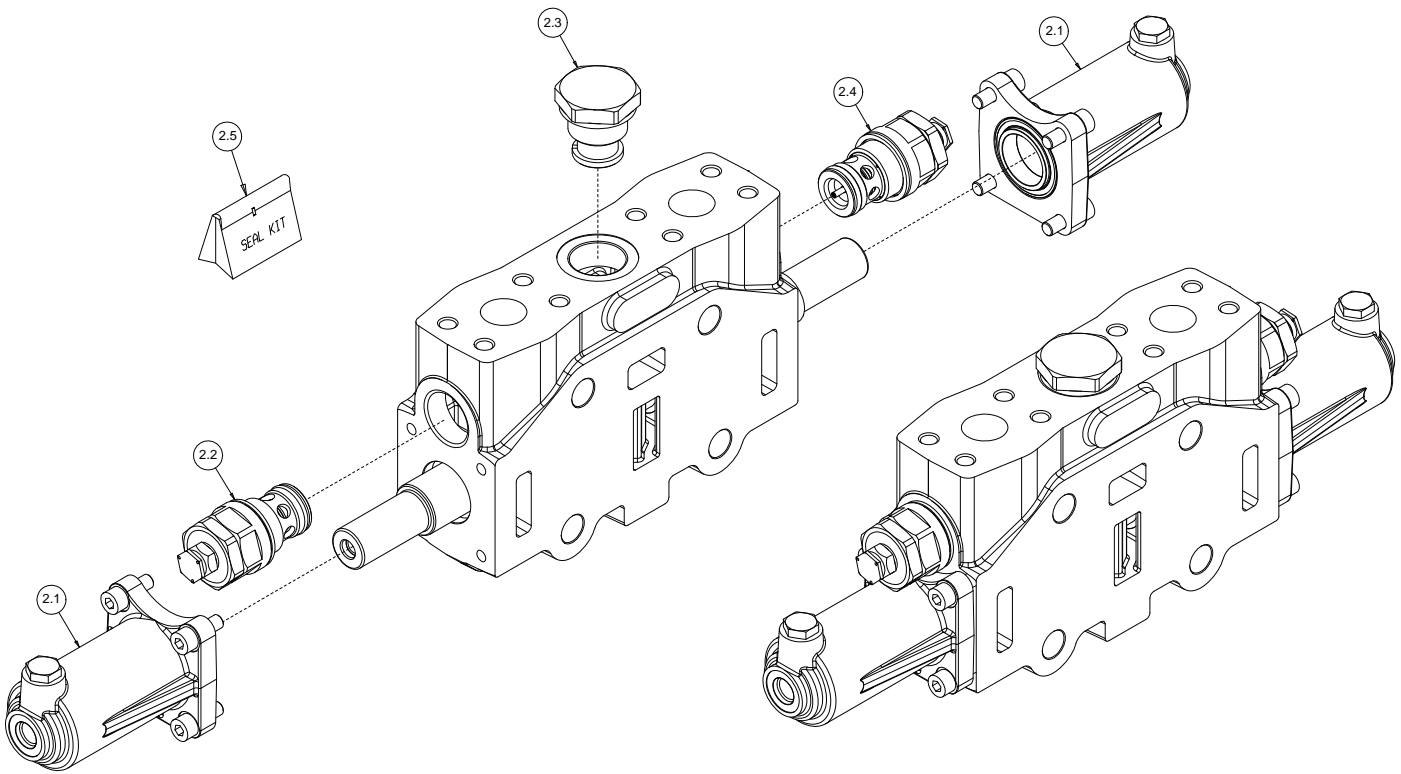
Item	Part No.	Qty	Description	Item	Part No.	Qty	Description
	594407		Valve, 4 Section, Implement				
1	596356	1	. Section, Inlet (see page 3)				
2	596382	2	. Section, Kickoff (see page 4)				
3	596383	2	. Section, Holddown (see page 5)				
4	596358	1	. Section, Outlet (see page 6)				
5	593498	1	. Kit, Tie Rod; W/Nuts & Washers				
6	596381	1	Kit, Seal				

Section, Inlet



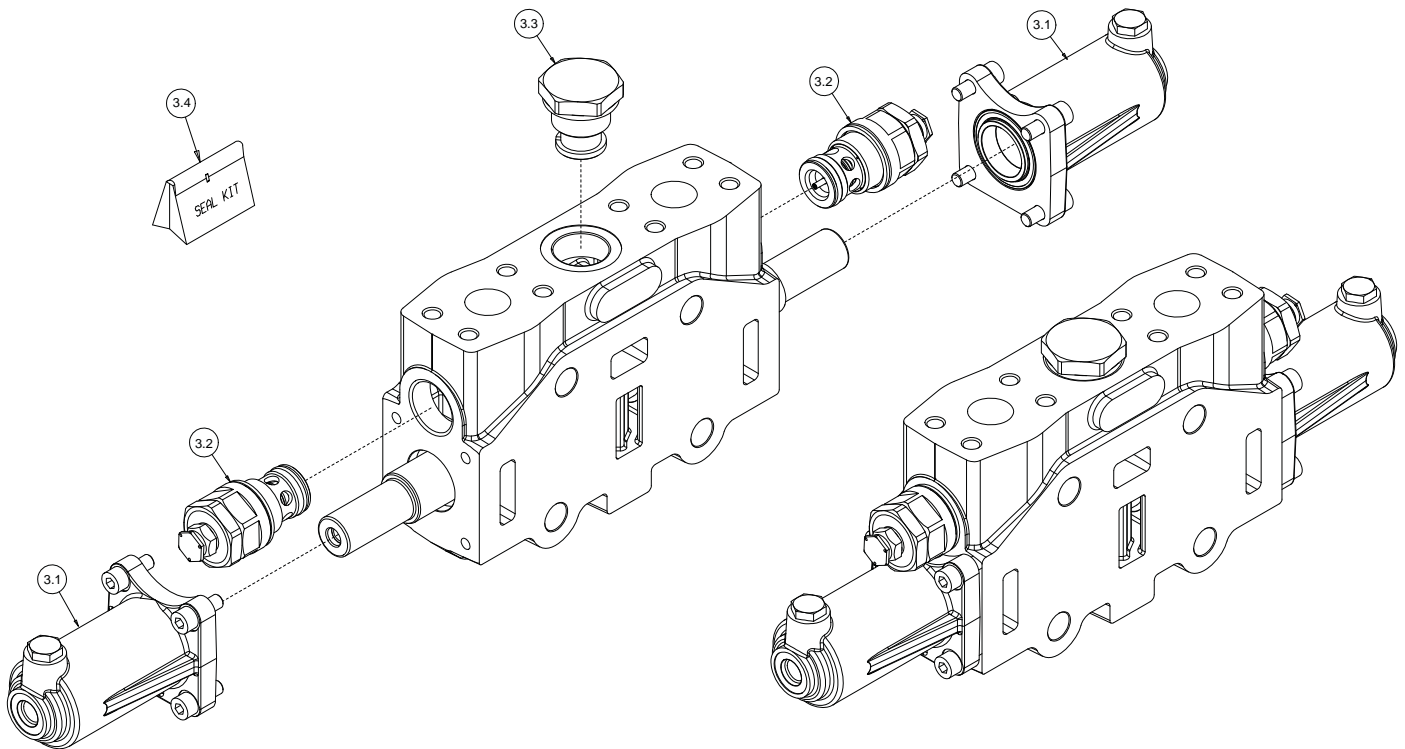
Item	Part No.	Qty	Description	Item	Part No.	Qty	Description
	596356	1	Section, Inlet				
1.1	593506	1	. Plug				
1.2	593480	1	. Relief Valve				
1.3	596351	1	Kit, Seal				

Section, Kickoff



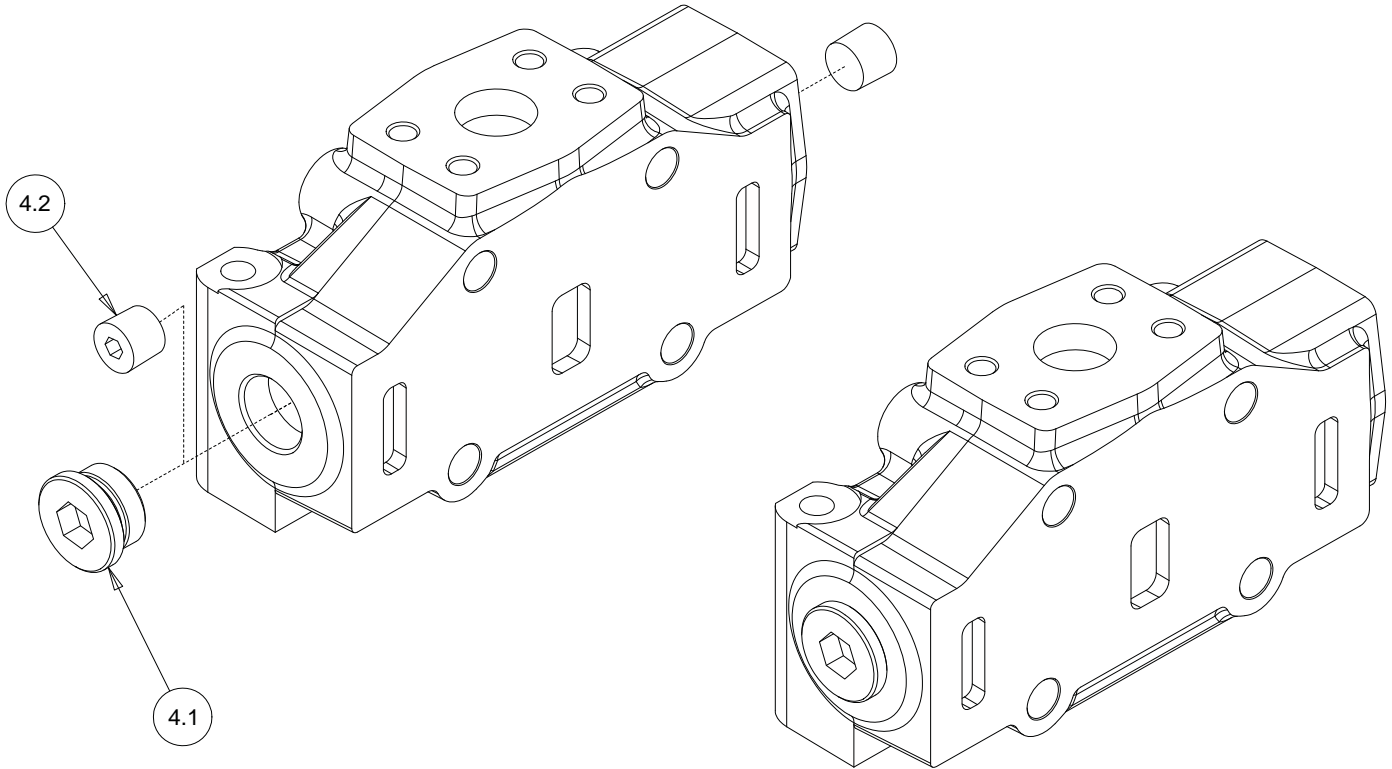
Item	Part No.	Qty	Description	Item	Part No.	Qty	Description
	596382		Section, Kickoff				
2.1	596362	2	. Spool, Return				
2.2	593490	1	. Valve				
2.3	593500	1	. Valve, Check				
2.4	596384	1	. Valve				
2.5	596363	1	Kit, Seal				

Section, Holddown



Item	Part No.	Qty	Description	Item	Part No.	Qty	Description
	596383		Section, Holddown				
3.1	596362	2	. Spool, Return				
3.2	596384	2	. Valve				
3.3	593500	1	. Valve, Check				
3.4	596363	1	Kit, Seal				

Section, Outlet



Item	Part No.	Qty	Description	Item	Part No.	Qty	Description
	596358		Section, Outlet				
4.1	593505	1	. Plug				
4.2	593504	2	. Plug				