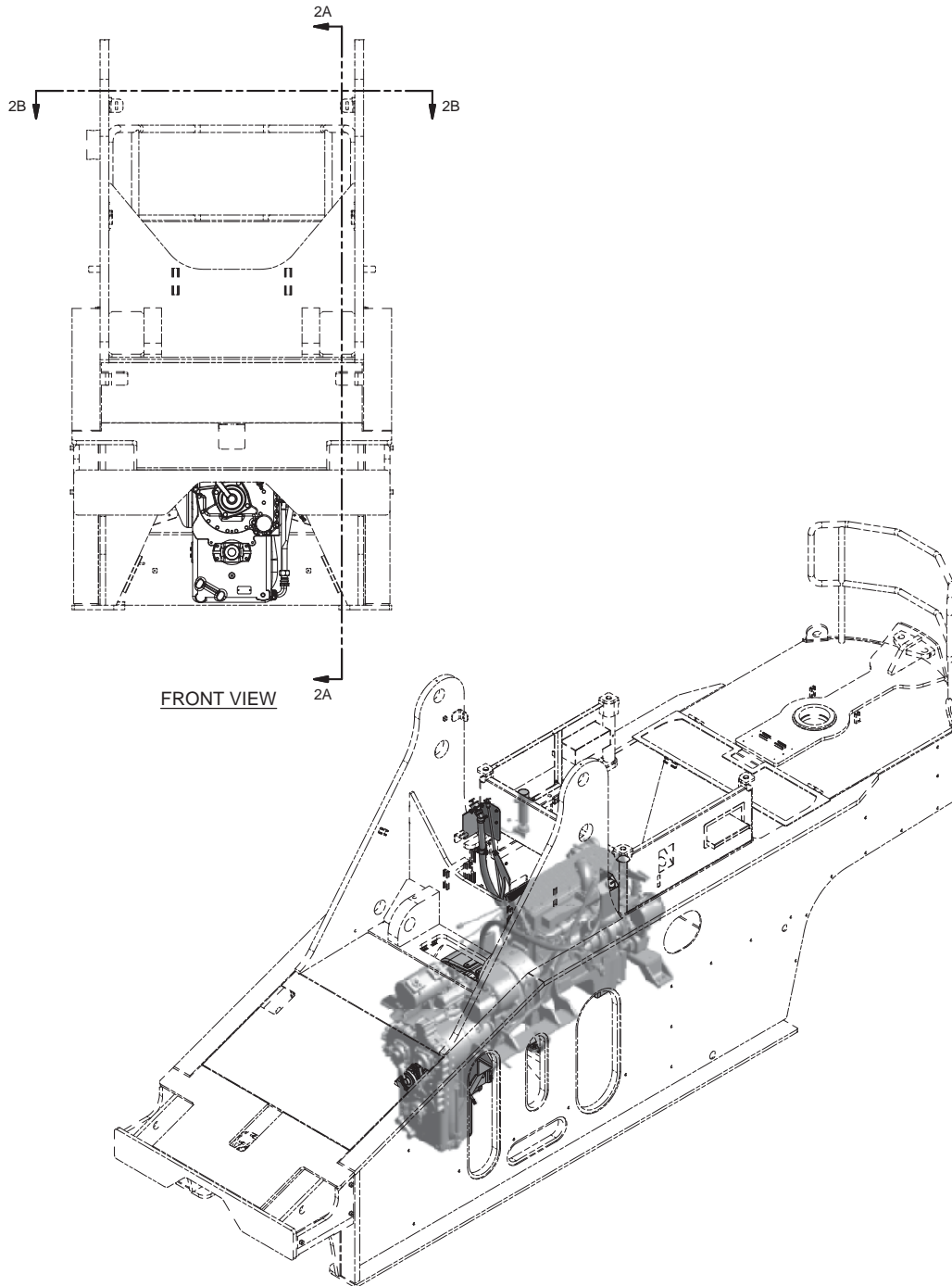


---

Power Unit Installation

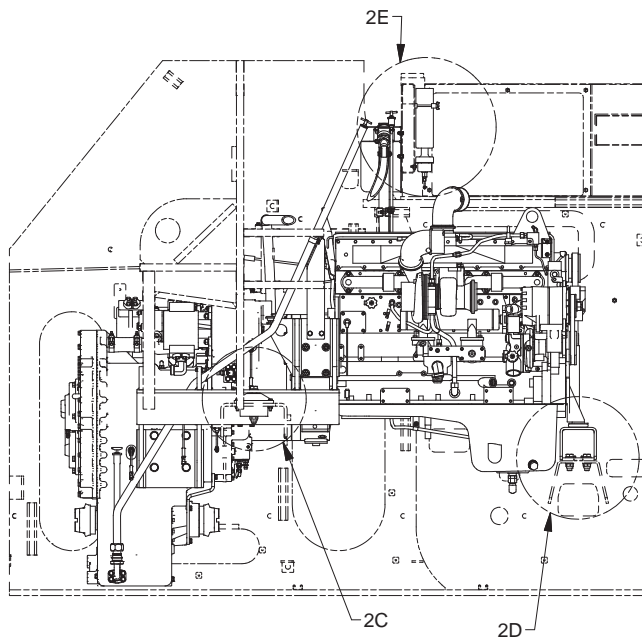
# Power Unit Installation



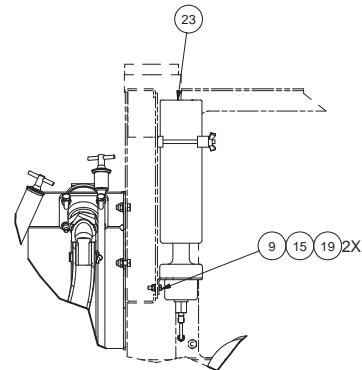
Item	Part No.	Qty	Description	Item	Part No.	Qty	Description
	<b>594396</b>		<b>Power Unit Installation</b>				
1	* 594397	1	. Power Unit Assembly	13	293708W	4	. Capscrew
2	* 591941	1	. Oil Fill Assembly, LH	14	Y19C-M20150	2	. Capscrew
3	* 591942	1	. Oil Fill Assembly, RH	15	296417W	2	. Hard Washer
4	591652	2	. Vibration Isolator, Front	16	296418W	8	. Hard Washer
5	209702	2	. Clamp	17	296420W	8	. Hard Washer
6	206289	4	. Hose Clamp	18	296430W	12	. Hard Washer
7	237508	1	. Clamp	19	302399W	2	. Hex Nut
8	595039	1	. Kit, Hose	20	302400W	6	. Locknut
9	591923	2	. Capscrew	21	302401W	8	. Locknut
10	251118	2	. Capscrew	22	302405W	6	. Locknut
11	293613W	6	. Capscrew	23	* 592606	1	. Ether Start Installation
12	293632W	8	. Capscrew				

\* See Separate Coverage

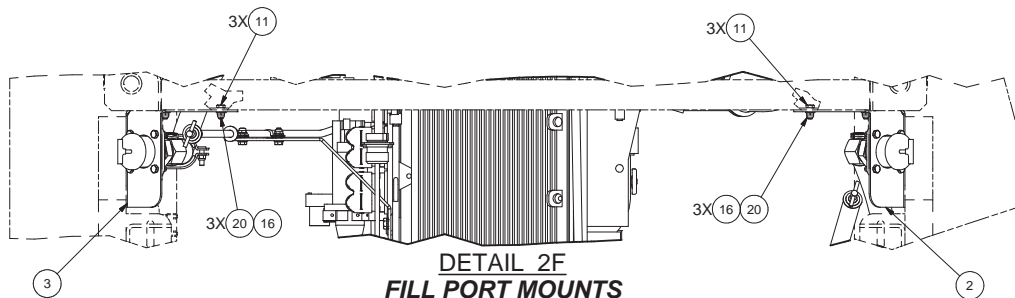
# Power Unit Installation



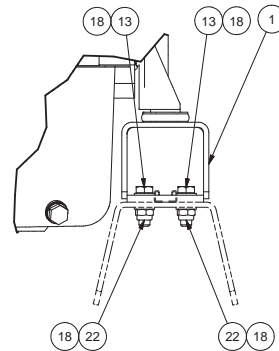
**SECTION 2A-2A  
LH VIEW**



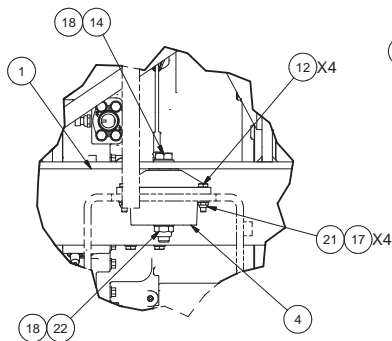
**DETAIL 2E  
ETHER START**



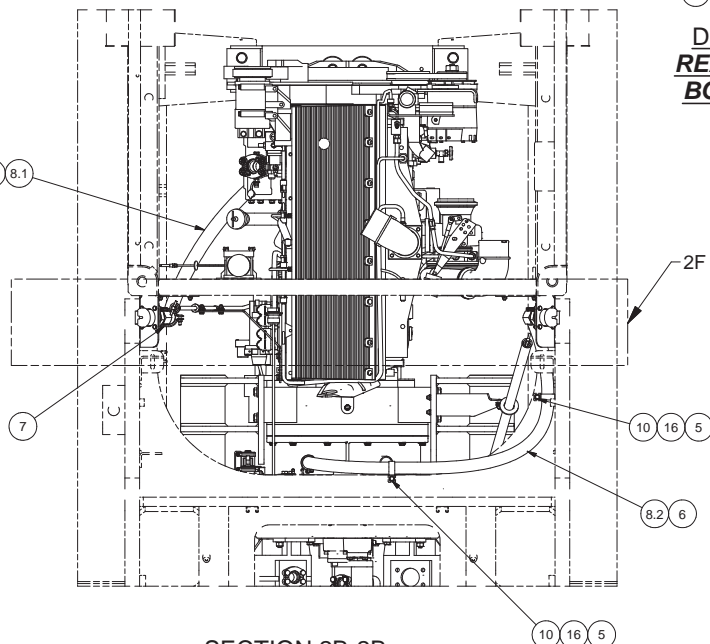
**DETAIL 2F  
FILL PORT MOUNTS**



**DETAIL 2D  
REAR MOUNT  
BOTH SIDES**



**DETAIL 2C  
FRONT MOUNT  
BOTH SIDES**



**SECTION 2B-2B  
TOP VIEW  
FILL HOSE ROUTING**

---

**INTENTIONALLY LEFT BLANK**