
Lube System Installation, Auto

Lube System Installation, Auto

Item	Part No.	Qty	Description	Item	Part No.	Qty	Description
	594312		Lube System Installation, Auto				
1	594836		Kit, Lube System Page 3 - 8				
	592689	1	.. Pump & Reservoir Assembly P5		592527	4	.. Metering Unit P4,8
*	592754	1	.. Display (See Item 5)		592528	6	.. Metering Unit P3,4,5
	592590	3	.. Distribution Block, 6 Port P4,5	2	595581	1	.. Auto Lube Sys - Carr P3
	592591	1	.. Distribution Block, 8 Port P3	3	595583	1	.. Auto Lube Sys - RH Ser Bay P5
	594838	1	.. Block, Distribution P8	4	595580	1	.. Auto Lube Sys - Boom P4
	592583	1	.. Switch, Press P4	5	* 592764	1	.. Auto Lube Sys - Cab
	592554	3	.. Plug, Twin Metering P4,5	6	595582	1	.. Auto Lube Sys - Chassis P6
	592523	3	.. Metering Unit P8	7	595579	1	.. Auto Lube Sys - Bogie P8
	592524	7	.. Metering Unit P3,5,8				
	592525	8	.. Metering Unit P5,8				
	592526	6	.. Metering Unit P3,5				
							* See Separate Coverage

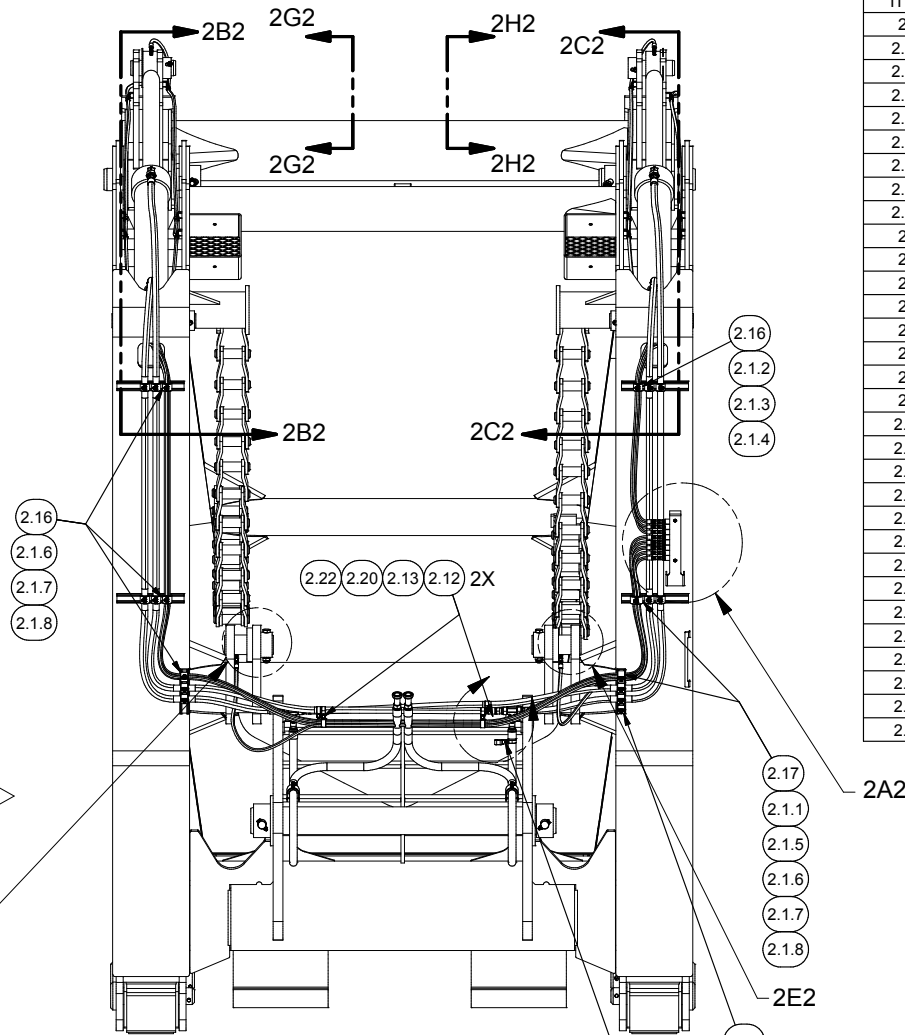
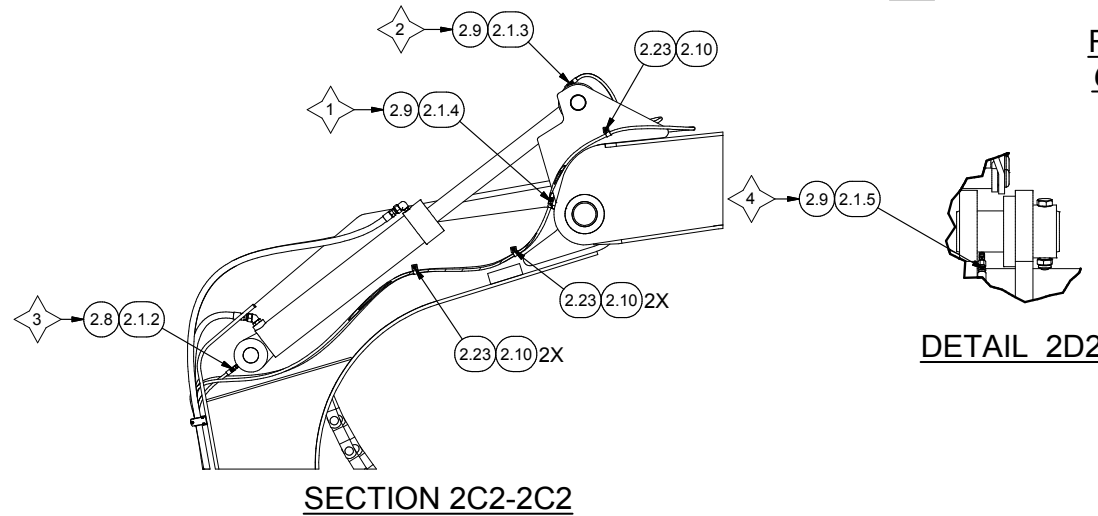
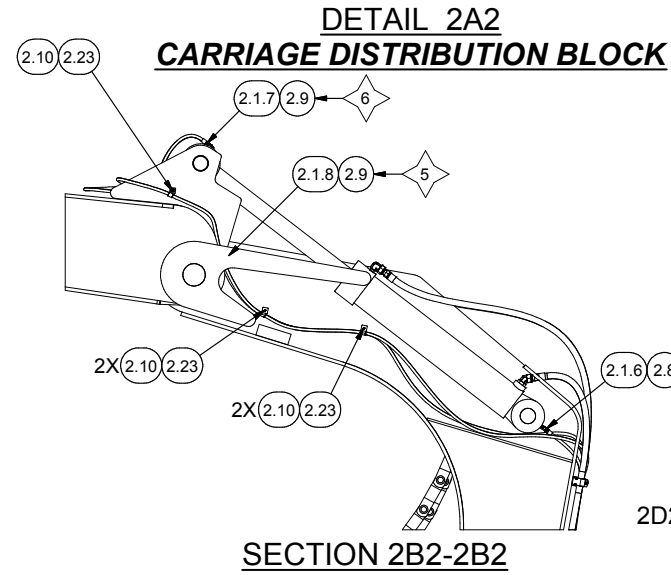
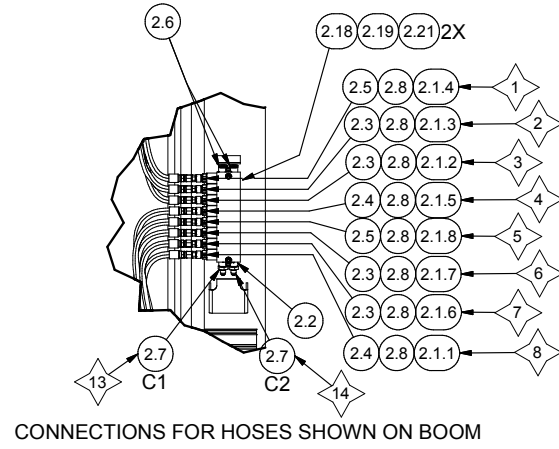
VIEW LOCATION KEY:

FIRST NUMBER IS THE SHEET THAT THE DETAIL/SECTION IS LOCATED ON
 LETTER IS THE ALPHABETIC DESIGNATION OF THE DETAIL/SECTION
 LAST NUMBER IS THE SHEET THAT THE DETAIL/SECTION IS TAKEN FROM

NOTES:

1. REFERENCE BOM QUANTITIES SHOW THE QUANTITY OF SUB COMPONENTS OF ITEM 1- 594836 (KIT, GROENEVELD LUBE SYS) IN EACH SUB LIST STRUCTURED UNDER BOM 594312.
2. PRIME METERED LUBRICATION LINES PRIOR TO FINAL ASSEMBLY WITH THE DISTRIBUTION BLOCKS. THIS WILL GREATLY SHORTEN THE TIME NECESSARY TO REMOVE THE AIR FROM THE LINES AND ENSURE THE LINES ARE CLEAR OF DEBRIS. ENSURE ALL GREASE LINES ARE CLEAR OF DEBRIS.

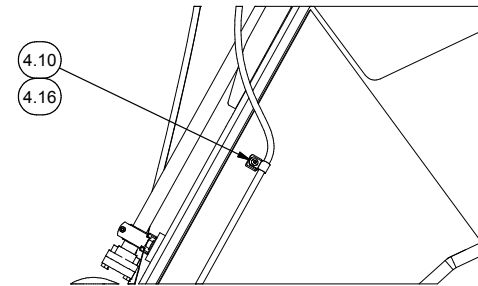
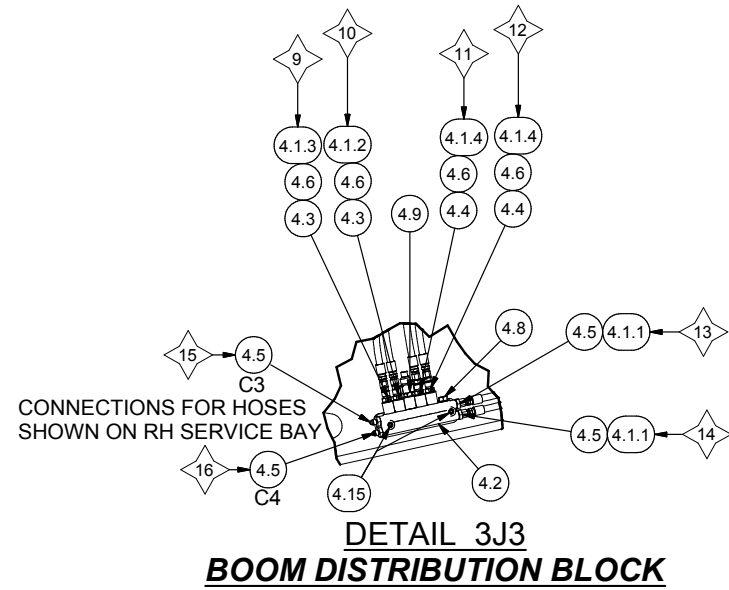
BILL OF MATERIAL FOR 595581			
ITEM	QTY	PART NUMBER	DESCRIPTION
2.1	1	595591	HOSE KIT; AUTO LUBE SYS - CARRIAGE
2.1.1	1	237816	HOSE ASSY
2.1.2	1	227473	HOSE ASSY
2.1.3	1	240189	HOSE ASSY
2.1.4	1	233706	HOSE ASSY
2.1.5	1	243759	HOSE ASSY
2.1.6	1	239994	HOSE ASSY
2.1.7	1	227978	HOSE ASSY
2.1.8	1	238187	HOSE ASSY
2.2	0	592591	DISTRIBUTION BLOCK, 8 PORT
2.3	0	592524	METERING UNIT NO.3
2.4	0	592526	METERING UNIT NO.6
2.5	0	592528	METERING UNIT NO.9
2.6	2	251172	FITTING
2.7	2	229551	FITTING
2.8	10	209750	Fitting
2.9	6	209405	FITTING
2.10	12	209579	CLIP; INSUL
2.11	1	209698	CLIP; INSUL
2.12	2	R13803057	CLIP; INSUL
2.13	2	R2528352	CLIP; INSUL
2.14	1	R13808106	CLIP; INSUL
2.15	1	231296	CLAMP
2.16	4	231250	CLAMP
2.17	2	255588	CLAMP
2.18	2	296417W	WASHER, HARD5
2.19	2	302399W	NUT, LOCK
2.20	3	302400W	NUT, LOCK
2.21	2	Y23C-M0640	CAPSCREW
2.22	2	293613W	CAPSCREW
2.23	13	296166W	CAPSCREW



& THE ROUTING TABLE DETAIL THE START AND END OF HOSE ROUTINGS

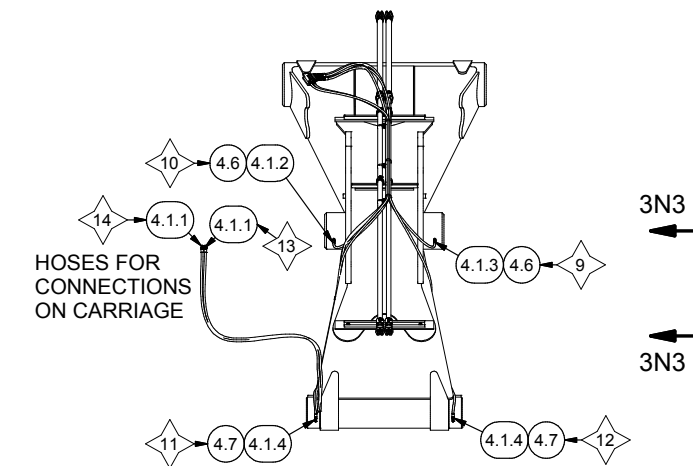
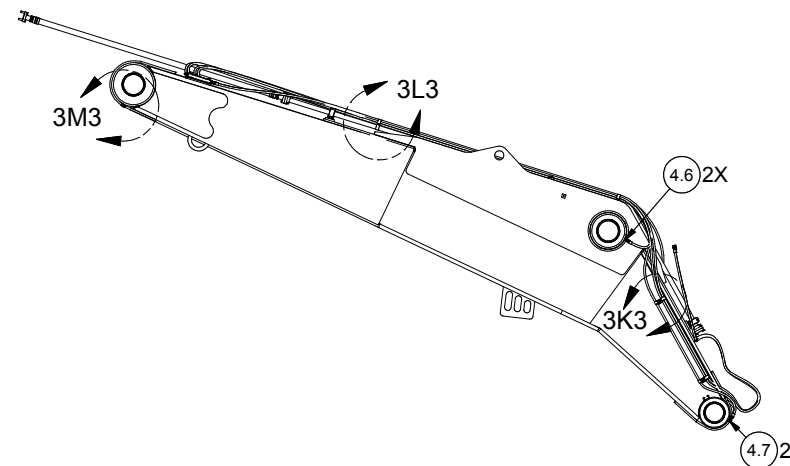
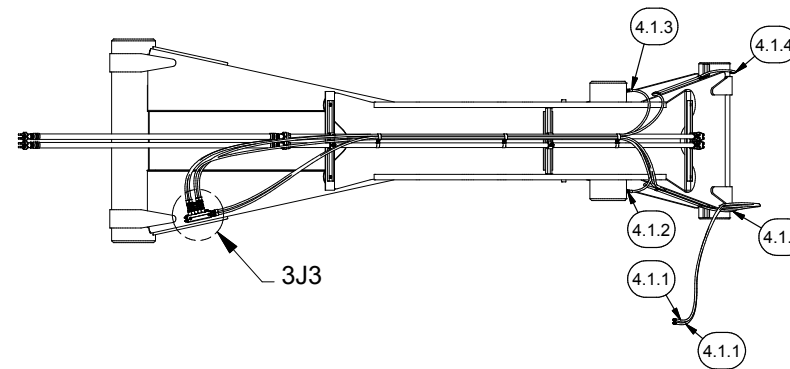
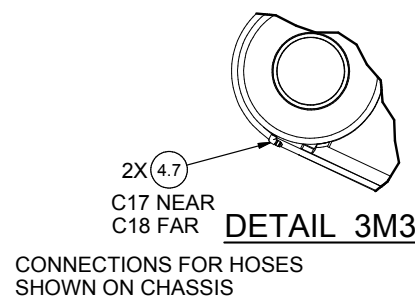
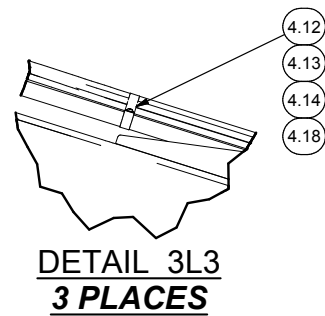
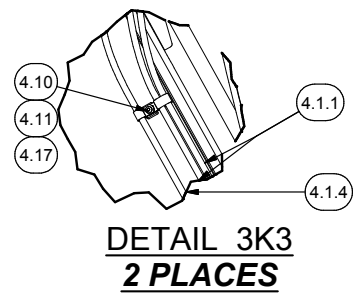
CARRIAGE ROUTING		
ROUTE NO.	FROM	TO
1	CARRIAGE DISTRIBUTION BLOCK	RH HD PIVOT
2	CARRIAGE DISTRIBUTION BLOCK	RH HD STEM
3	CARRIAGE DISTRIBUTION BLOCK	RH HD BASE
4	CARRIAGE DISTRIBUTION BLOCK	LH TILT CYL
5	CARRIAGE DISTRIBUTION BLOCK	LH HD PIVOT
6	CARRIAGE DISTRIBUTION BLOCK	LH HD STEM
7	CARRIAGE DISTRIBUTION BLOCK	LH HD BASE
8	CARRIAGE DISTRIBUTION BLOCK	RH TILT CYL

CARRIAGE, PAGE 1 OF 1



BILL OF MATERIAL FOR 595580

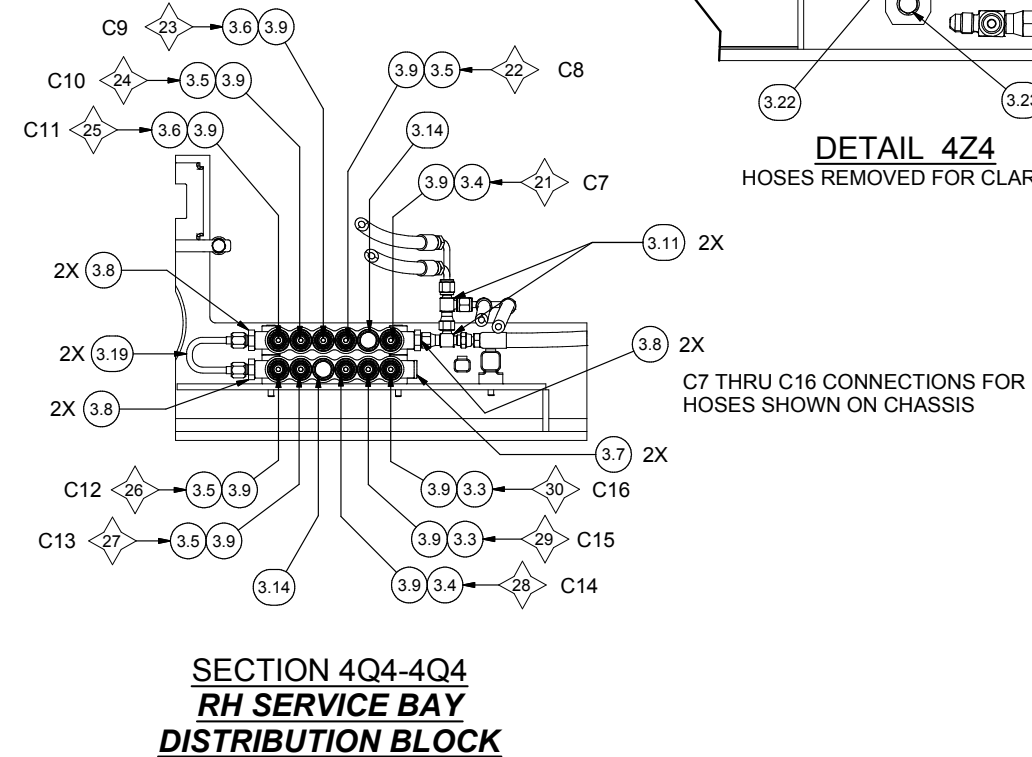
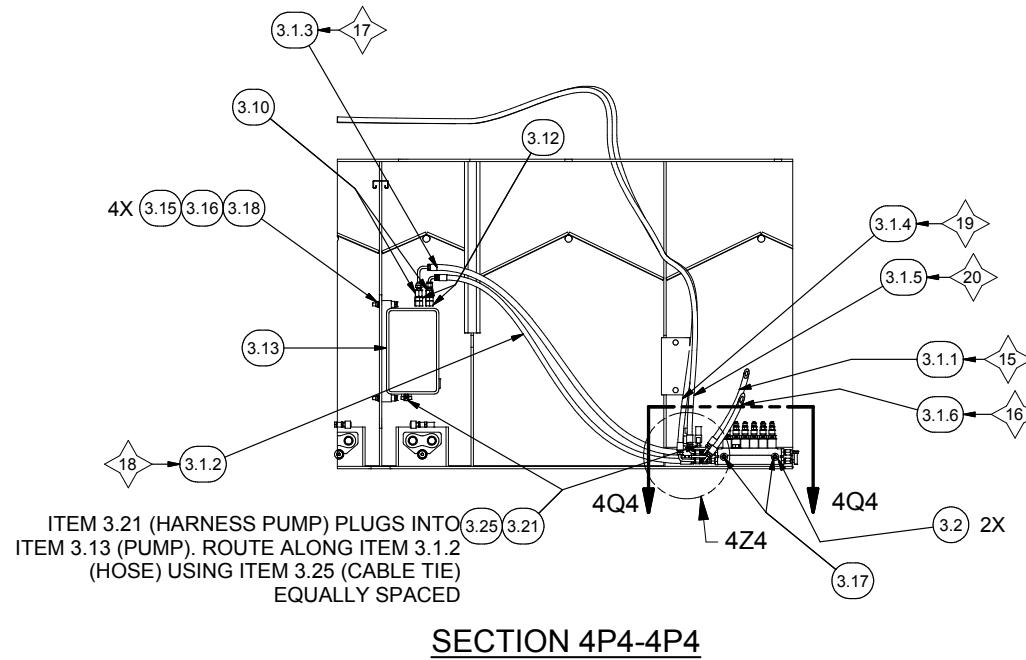
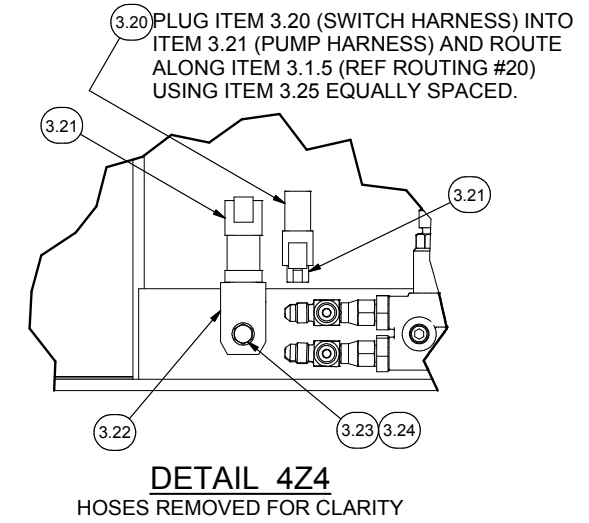
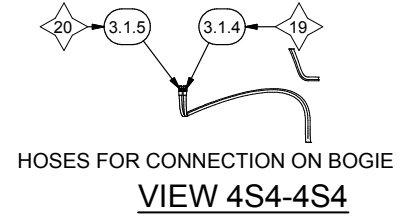
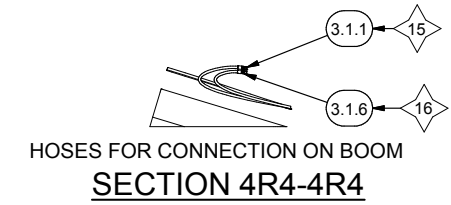
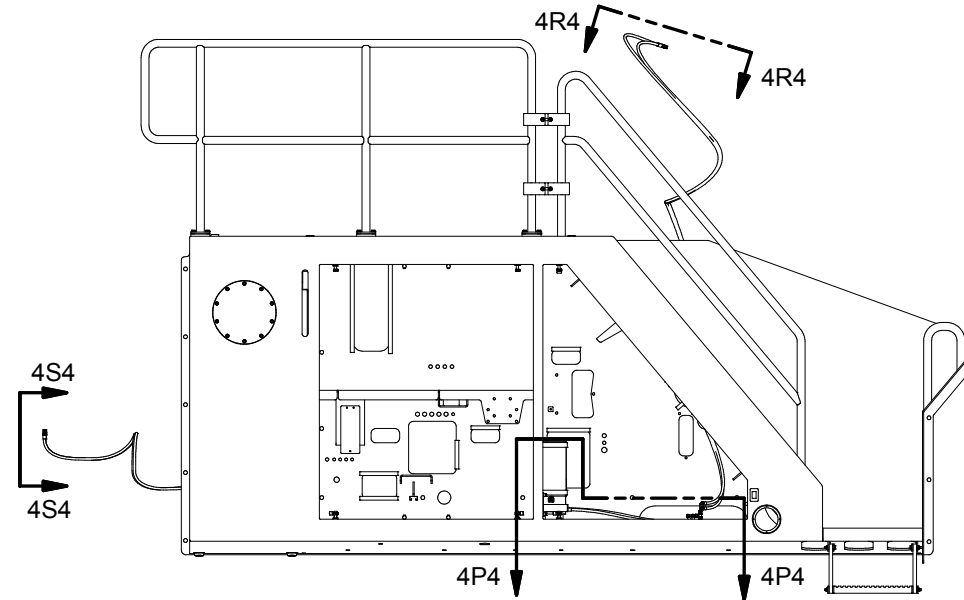
ITEM	QTY	PART NUMBER	DESCRIPTION
4.1	1	595590	HOSE KIT; AUTO LUBE SYS - BOOM
4.1.1	2	21673	HOSE ASSY
4.1.2	1	215078	HOSE ASSY
4.1.3	1	231681	HOSE ASSY
4.1.4	2	235515	HOSE ASSY
4.2	0	592590	DISTRIBUTION BLOCK, 6 PORT
4.3	0	592527	METERING UNIT NO.8
4.4	0	592528	METERING UNIT NO.9
4.5	4	229551	FITTING
4.6	6	209750	FITTING
4.7	4	209405	FITTING
4.8	0	592554	PLUG, 70701 TWIN METERING
4.9	0	592583	PRESURE SWITCH
4.10	4	209579	CLIP; INSUL
4.11	2	209698	CLIP; INSUL
4.12	3	R2528352	CLIP; INSUL
4.13	3	209700	CLIP; INSUL
4.14	3	302400W	NUT, LOCK
4.15	2	293797W	CAPSCREW
4.16	2	296165W	CAPSCREW
4.17	2	296166W	CAPSCREW
4.18	3	296167W	CAPSCREW



& THE ROUTING TABLE DETAIL THE START AND END OF HOSE ROUTINGS

BOOM ROUTING		
ROUTE NO.	FROM	TO
9	BOOM DISTRIBUTION BLOCK	LH HOIST CYLINDER STEM
10	BOOM DISTRIBUTION BLOCK	RH HOIST CYLINDER STEM
11	BOOM DISTRIBUTION BLOCK	RH CARRIAGE BASE
12	BOOM DISTRIBUTION BLOCK	LH CARRIAGE BASE
13	BOOM DISTRIBUTION BLOCK	CARRIAGE DISTRIBUTION BLOCK, C1
14	BOOM DISTRIBUTION BLOCK	CARRIAGE DISTRIBUTION BLOCK, C2

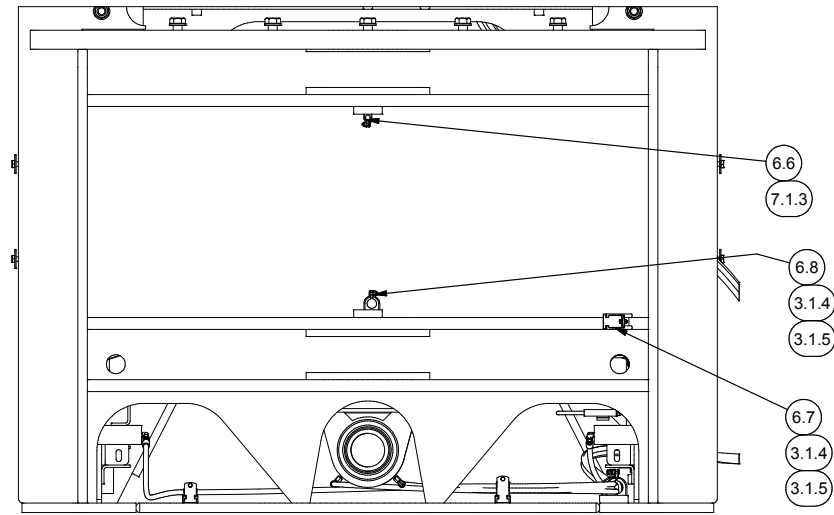
BILL OF MATERIAL FOR 595583			
ITEM	QTY	PART NUMBER	DESCRIPTION
3.1	1	595593	HOSE KIT; AUTO LUBE SYS - RH SERV
3.1.1	1	227994	HOSE ASSY
3.1.2	1	237474	HOSE ASSY
3.1.3	1	241195	HOSE ASSY
3.1.4	1	596076	HOSE ASSY
3.1.5	1	596077	HOSE ASSY
3.1.6	1	596552	HOSE ASSY
3.2	0	592590	DISTRIBUTION BLOCK, 6 PORT
3.3	0	592524	METERING UNIT NO.3
3.4	0	592525	METERING UNIT NO.4
3.5	0	592526	METERING UNIT NO.6
3.6	0	592528	METERING UNIT NO.9
3.7	2	251172	FITTING
3.8	6	229551	FITTING
3.9	10	209750	Fitting
3.10	2	229666	FITTING
3.11	4	17059W	FITTING
3.12	2	593613	FITTING; EO METRIC SWIVEL
3.13	0	592689	PUMP & RESERVOIR ASSY; AUTO LUBE SYSTEM
3.14	0	592554	PLUG, 70701 TWIN METERING
3.15	4	296418W	WASHER, HARD
3.16	4	302400W	NUT, LOCK
3.17	2	Y23C-M0670	CAPSCREW
3.18	4	R13806174	CAPSCREW
3.19	2	592616	TUBE ASSY
3.20	1	592777	WIRE HARNESS, PRESS SWI
3.21	1	592778	WIRE HARNESS, PUMP
3.22	1	2311550	CLIP-HARNESS MTG
3.23	1	Y09C-M0616	CAPSCREW
3.24	1	296417W	WASHER, HARD
3.25	20	227591	CABLE TIE



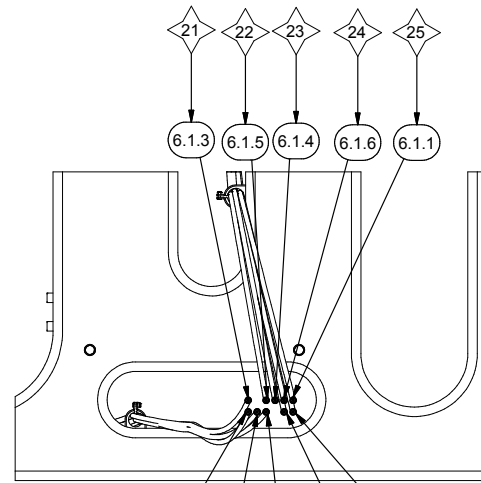
& THE ROUTING TABLE DETAIL THE START AND END OF HOSE ROUTINGS

RH SERVICE BAY ROUTING		
ROUTE NO.	FROM	TO
15	RH S.B. DISTRIBUTION BLOCK	BOOM DISTRIBUTION BLOCK, C3
16	RH S.B. DISTRIBUTION BLOCK	BOOM DISTRIBUTION BLOCK, C4
17	RH S.B. DISTRIBUTION BLOCK	AUTO LUBE PUMP PORT A
18	RH S.B. DISTRIBUTION BLOCK	AUTO LUBE PUMP PORT B
19	RH S.B. DISTRIBUTION BLOCK	BOGIE DISTRIBUTION BLOCK, C5
20	RH S.B. DISTRIBUTION BLOCK	BOGIE DISTRIBUTION BLOCK, C6

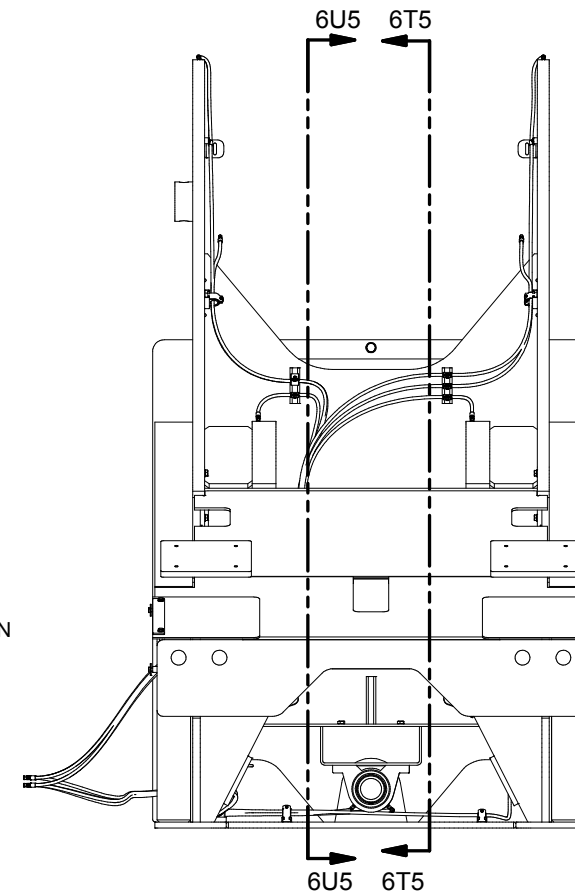
BILL OF MATERIAL FOR 595582			
ITEM	QTY	PART NUMBER	DESCRIPTION
6.1	1	595592	HOSE KIT; AUTO LUBE SYS - CHASSIS
6.1.1	1	227928	HOSE ASSY
6.1.2	1	229557	HOSE ASSY
6.1.3	1	230109	HOSE ASSY
6.1.4	1	230879	HOSE ASSY
6.1.5	1	233001	HOSE ASSY
6.1.6	1	239994	HOSE ASSY
6.1.7	1	241230	HOSE ASSY
6.1.8	1	245893	HOSE ASSY
6.1.9	1	246134	HOSE ASSY
6.1.10	1	589528	HOSE ASSY
6.2	2	209750	Fitting
6.3	6	209405	FITTING
6.4	2	R791457	FITTING, LUBE
6.5	2	209579	CLIP; INSUL
6.6	8	231251	CLAMP
6.7	2	231296	CLAMP
6.8	2	231250	CLAMP
6.9	2	231249	CLAMP
6.10	2	255588	CLAMP
6.11	1	231248	CLAMP
6.12	2	CLP0100175	CLAMP
6.13	2	296165W	CAPSCREW



CHASSIS REAR



CHASSIS RH SIDE

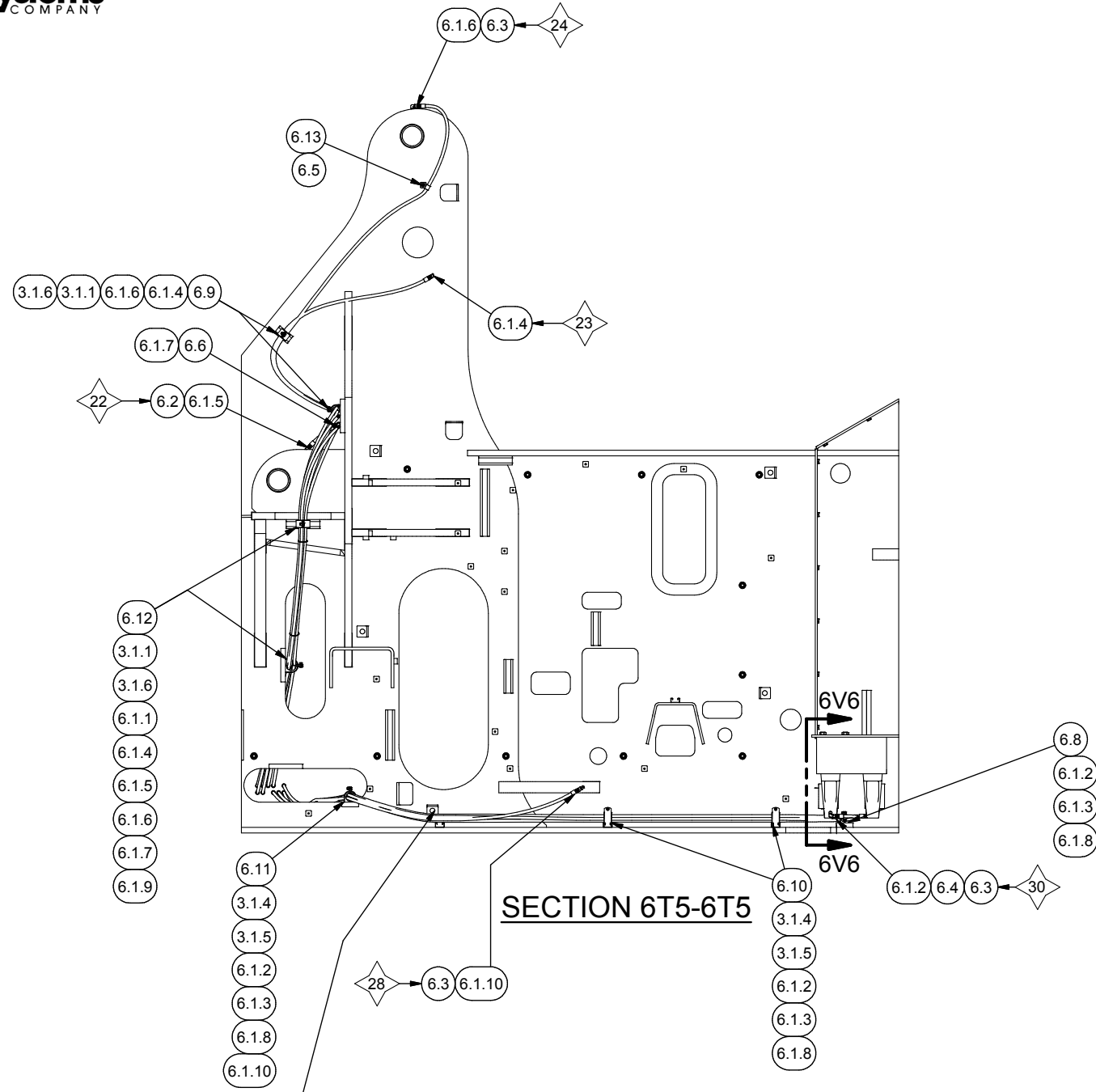


CHASSIS FRONT

& THE ROUTING TABLE DETAIL THE START AND END OF HOSE ROUTINGS

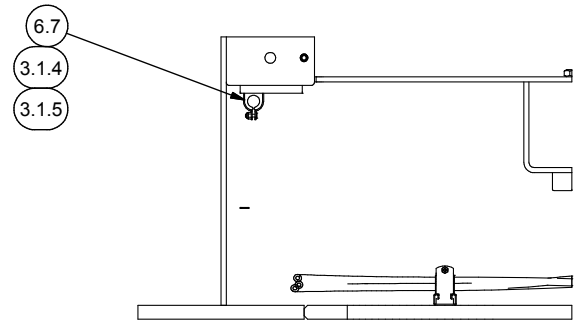
CHASSIS ROUTING		
ROUTE NO.	FROM	TO
21	RH SERVICE BAY DISTRIBUTION BLOCK, C7	LH STEERING CYL BASE
22	RH SERVICE BAY DISTRIBUTION BLOCK, C8	RH HOIST CYL BASE
23	RH SERVICE BAY DISTRIBUTION BLOCK, C9	RH BOOM WLDMT MOUNT, C18
24	RH SERVICE BAY DISTRIBUTION BLOCK, C10	RH TILT CYL BASE
25	RH SERVICE BAY DISTRIBUTION BLOCK, C11	LH BOOM WLDMT MOUNT, C17
26	RH SERVICE BAY DISTRIBUTION BLOCK, C12	LH TILT CYL BASE
27	RH SERVICE BAY DISTRIBUTION BLOCK, C13	LH HOIST CYL BASE
28	RH SERVICE BAY DISTRIBUTION BLOCK, C14	RH STEERING CYL BASE
29	RH SERVICE BAY DISTRIBUTION BLOCK, C15	BACK CARRIER
30	RH SERVICE BAY DISTRIBUTION BLOCK, C16	FRONT CARRIER

CHASSIS INSTL, PAGE 1 OF 2

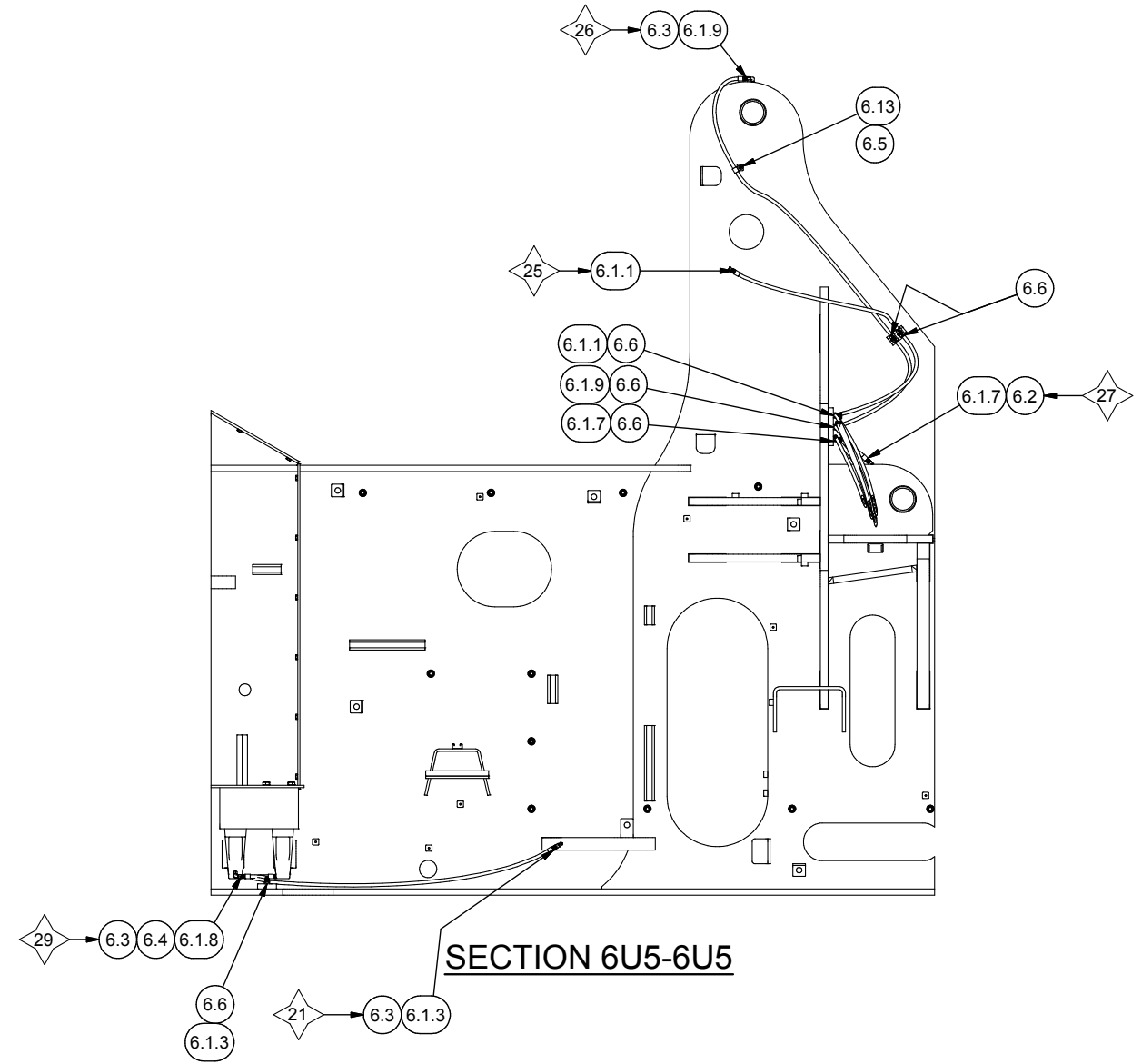


SECTION 6T5-6T5

BUTTERFLY CLAMP
LUBRICATION HOSES
TO FIRE SUPPRESSION
LINE

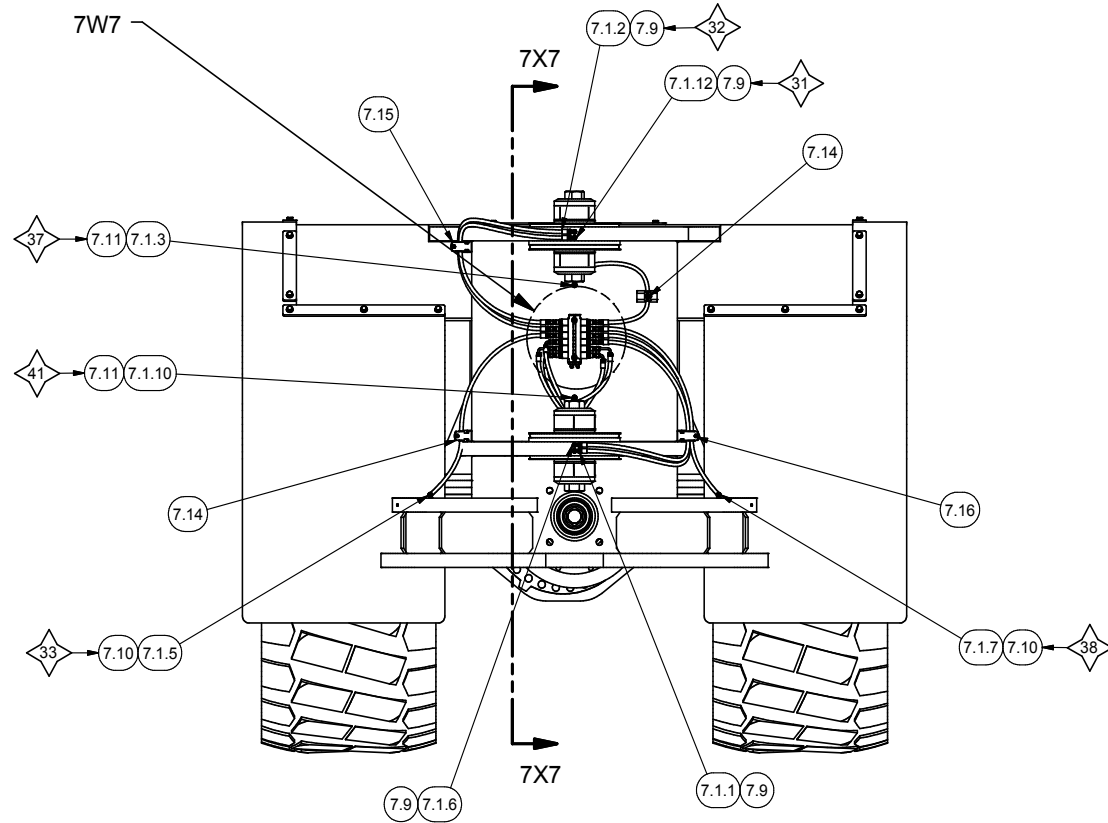


SECTION 6V6-6V6

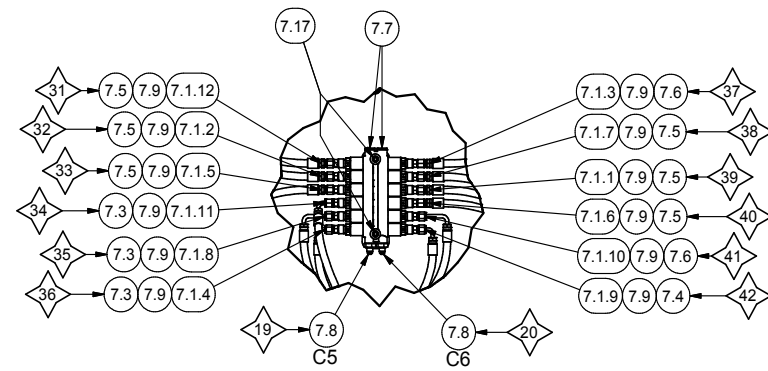


SECTION 6U5-6U5

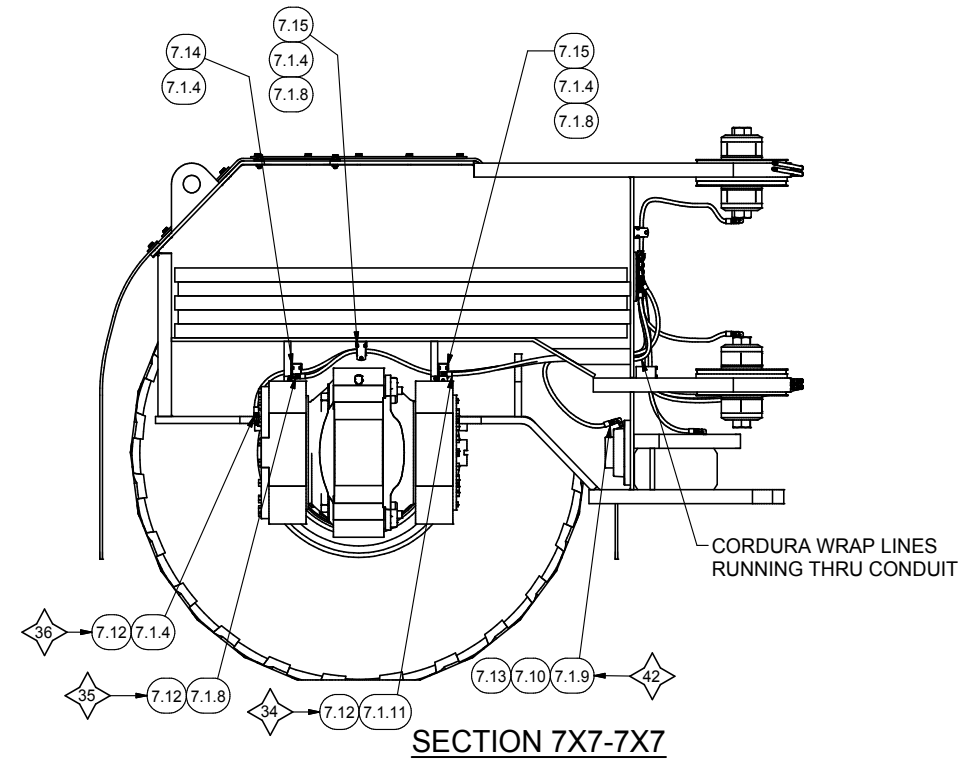
CHASSIS INSTL, PAGE 2 OF 2



BILL OF MATERIAL FOR 595579			
ITEM	QTY	PART NUMBER	DESCRIPTION
7.1	1	595589	HOSE KIT; AUTO LUBE SYS - BOGIE
7.1.1	1	237814	HOSE ASSY
7.1.2	1	237814	HOSE ASSY
7.1.3	1	237846	HOSE ASSY7
7.1.4	1	596550	HOSE ASSY
7.1.5	1	238226	HOSE ASSY
7.1.6	1	243321	HOSE ASSY
7.1.7	1	243381	HOSE ASSY
7.1.8	1	596551	HOSE ASSY
7.1.9	1	255648	HOSE ASSY
7.1.10	1	591078	HOSE ASSY
7.1.11	1	237813	HOSE ASSY
7.1.12	1	251371	HOSE ASSY
7.2	0	594838	DISTRIBUTION BLOCK, 6+6 PORT
7.3	0	592523	METERING UNIT NO.2
7.4	0	592524	METERING UNIT NO.3
7.5	0	592525	METERING UNIT NO.4
7.6	0	592527	METERING UNIT NO.8
7.7	2	251172	FITTING
7.8	2	229551	FITTING
7.9	16	209750	Fitting
7.10	3	209405	FITTING
7.11	2	230918	FITTING
7.12	3	234097	FITTING
7.13	1	R791457	FITTING, LUBE
7.14	3	231251	CLAMP
7.15	3	231296	CLAMP
7.16	1	231250	CLAMP
7.17	2	293797W	CAPSCREW



**DETAIL 7W7
BOGIE DISTRIBUTION BLOCK**



SECTION 7X7-7X7

& THE ROUTING TABLE DETAIL THE START AND END OF HOSE ROUTINGS

BOGIE ROUTING		
ROUTE NO.	FROM	TO
31	BOGIE DISTRIBUTION BLOCK	UPPER HINGE / LOWER THRUST
32	BOGIE DISTRIBUTION BLOCK	UPPER HINGE / UPPER THRUST
33	BOGIE DISTRIBUTION BLOCK	CYL STEM RH STEERING
34	BOGIE DISTRIBUTION BLOCK	AXLE OSCILLATION FRONT
35	BOGIE DISTRIBUTION BLOCK	AXLE OSCILLATION MIDDLE
36	BOGIE DISTRIBUTION BLOCK	AXLE OSCILLATION REAR
37	BOGIE DISTRIBUTION BLOCK	UPPER HINGE PIN
38	BOGIE DISTRIBUTION BLOCK	CYL STEM LH STEERING
39	BOGIE DISTRIBUTION BLOCK	LOWER HINGE / LOWER THRUST
40	BOGIE DISTRIBUTION BLOCK	LOWER HINGE / UPPER THRUST
41	BOGIE DISTRIBUTION BLOCK	LOWER HINGE PIN
42	BOGIE DISTRIBUTION BLOCK	BOGIE CARRIER

BOGIE INSTL, PAGE 1 OF 1