

---

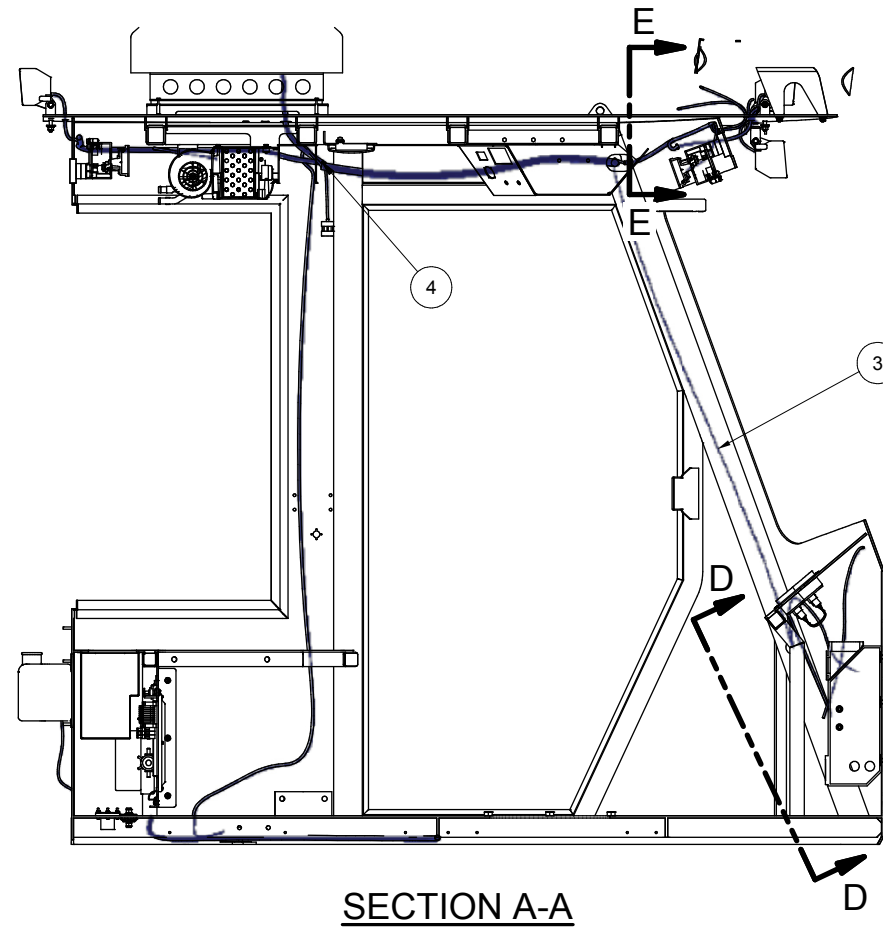
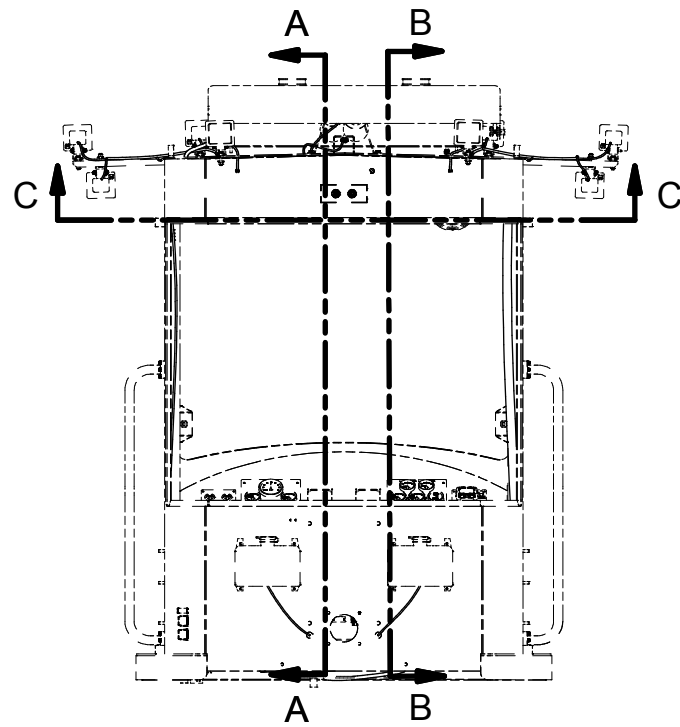
Electrical System, Cab

---

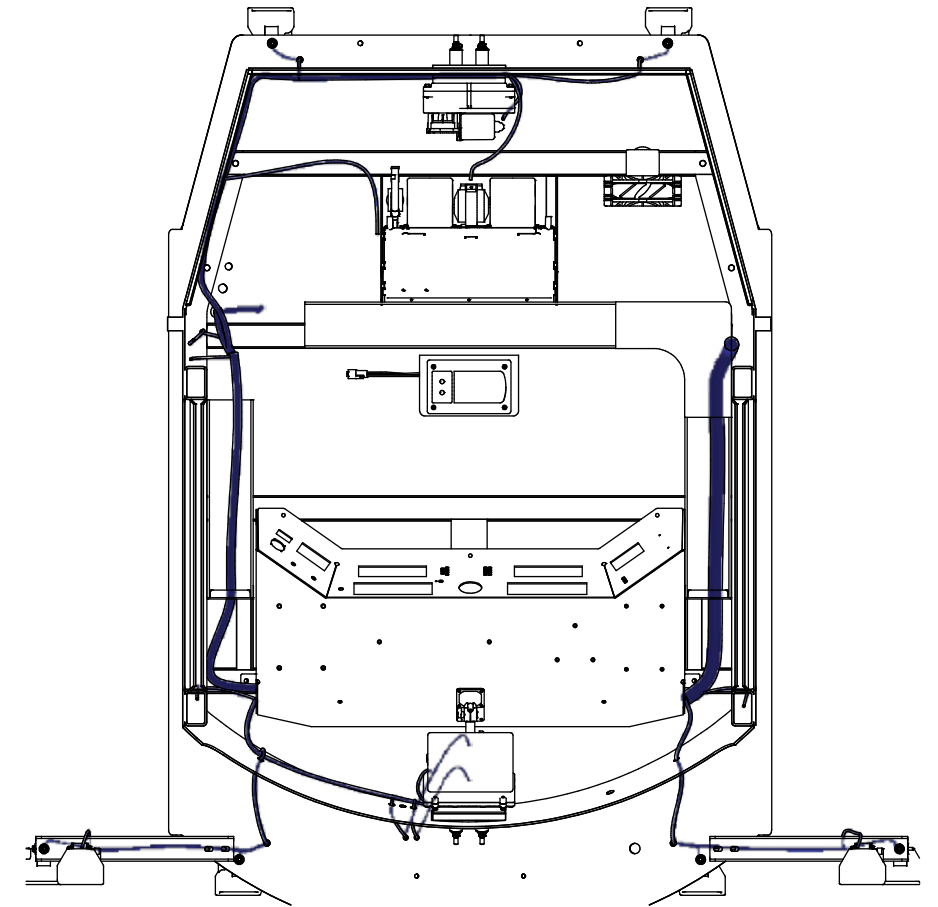
## Electrical System, Cab

---

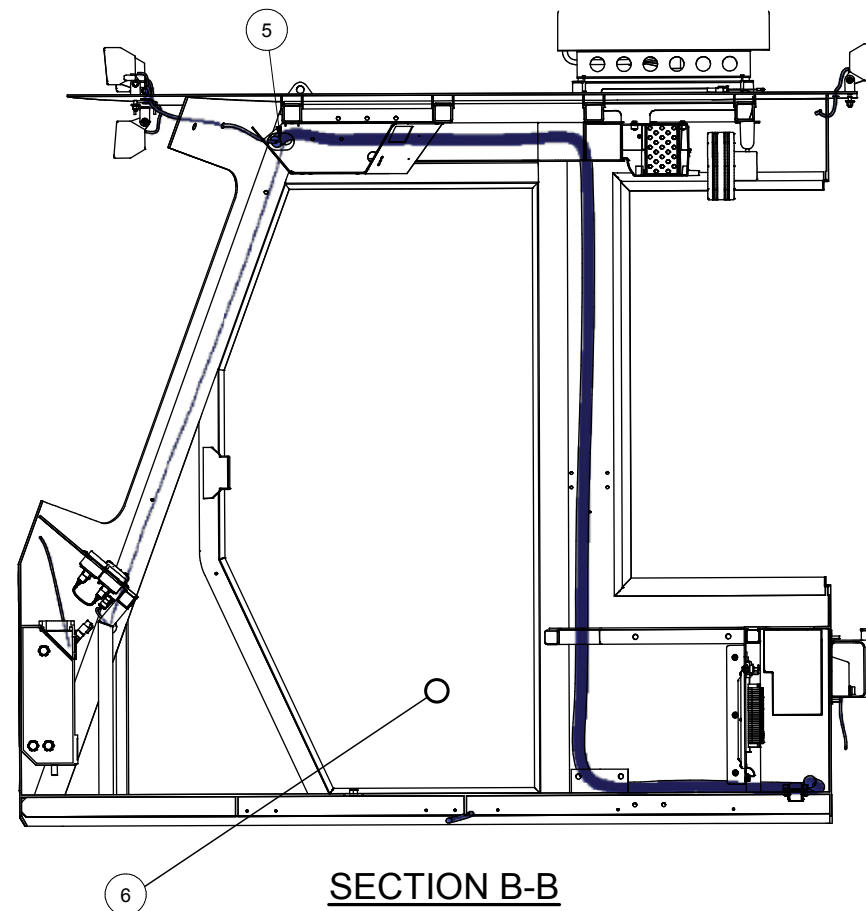
Item	Part No.	Qty	Description	Item	Part No.	Qty	Description
	<b>594297</b>		<b>Electrical System, Cab</b>				
1	592124	1	. Wire Harness, Overhead-RH Fnt	4	592122	1	. Wire Harness, Overhead-Ceiling
2	592464	1	. Wire Harness, Overhead-LH Fnt	5	593450	1	. Wire Harness, Overhead-Blkhd
3	592121	1	. Wire Harness, Overhead-Dash	6	588899	1	. Wire Harness, Seat



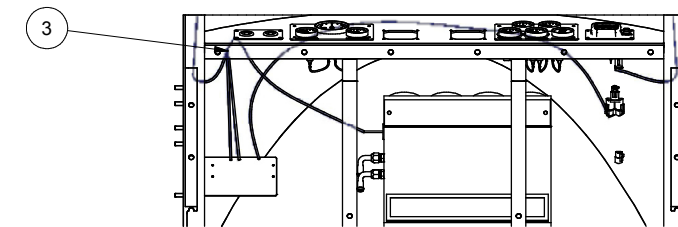
**SECTION A-A**



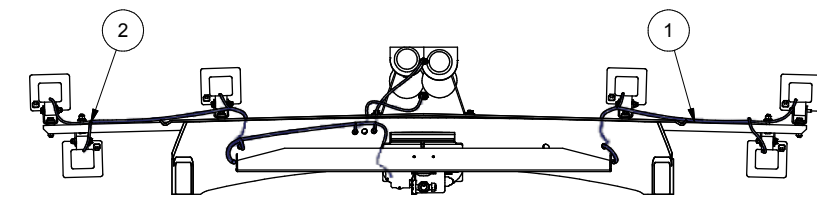
**SECTION C-C**



**SECTION B-B**



**SECTION D-D**



**SECTION E-E**

- NOTES:  
 1) ITEMS 4 AND 5 ROUTES THROUGH AIR DUCT  
 2) ITEM 6 NOT SHOWN  
 3) REFER TO SCHEMATIC FOR CONNECTIONS