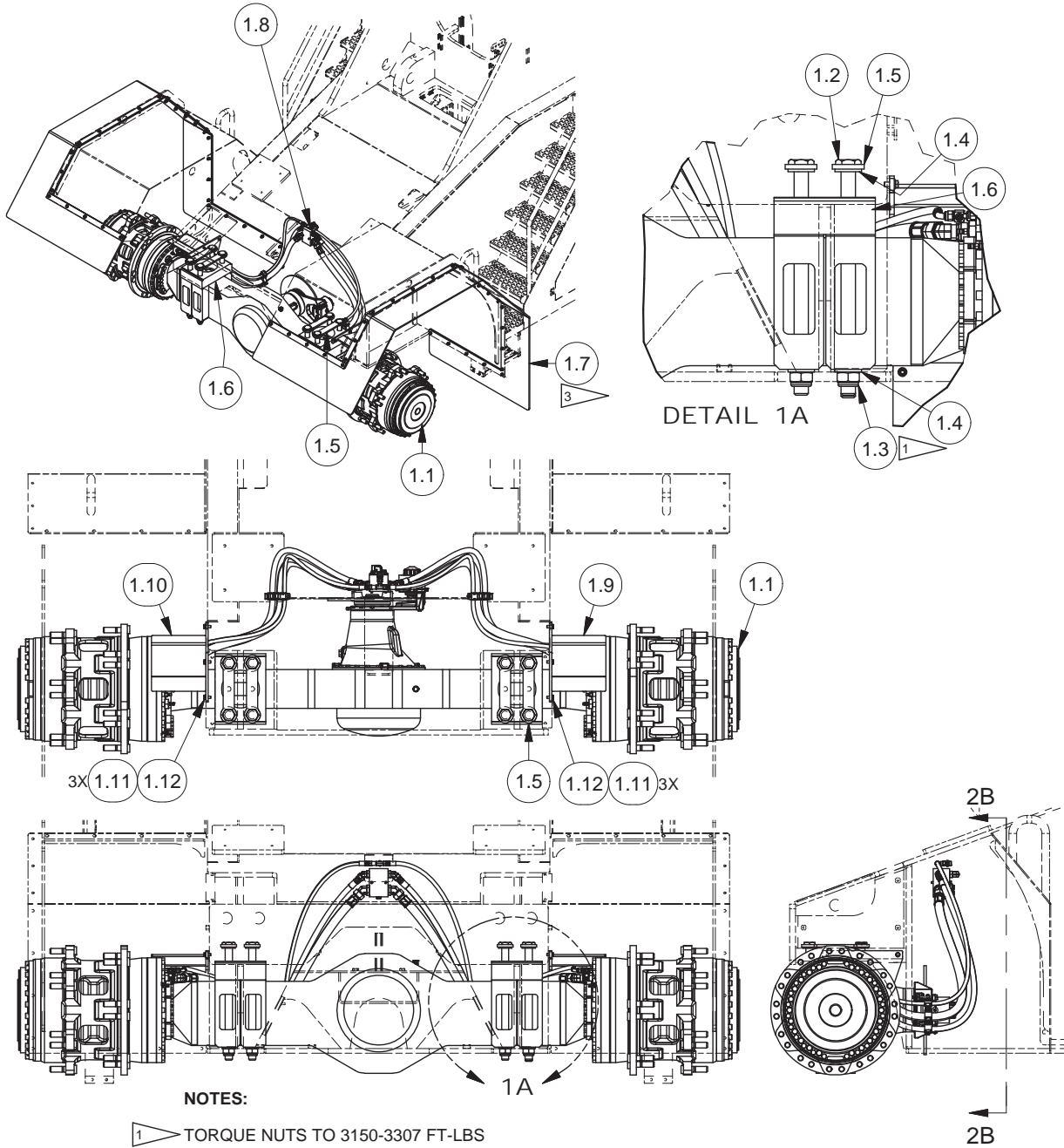


Installation, Axle, Dual Front

2WD/4WD DUAL AXLE INSTALLATION



NOTES:

- 1 TORQUE NUTS TO 3150-3307 FT-LBS
- 2 TORQUE NUTS TO WAGNER TORQUE CHART 80-1057
- 3 SEE SEPARATE DRAWING FOR MUDFLAP INSTALLATION

Item	Part No.	Qty	Description	Item	Part No.	Qty	Description
594280 Installation - Axle, Dual Front							
1	* 601494	1	. Axle, Front	6	595227	2	. Plate, Mounting
2	594820	8	. Capscrew	7	* 595285	1	. Installation - Mudflaps
3	591847	8	. Nut, Nylock	8	* 595128	1	. Hydraulic System - Brake
4	591855	18	. Hard Washer				
5	591844	4	. Plate, Bolt Lock	* See Separate Coverage			