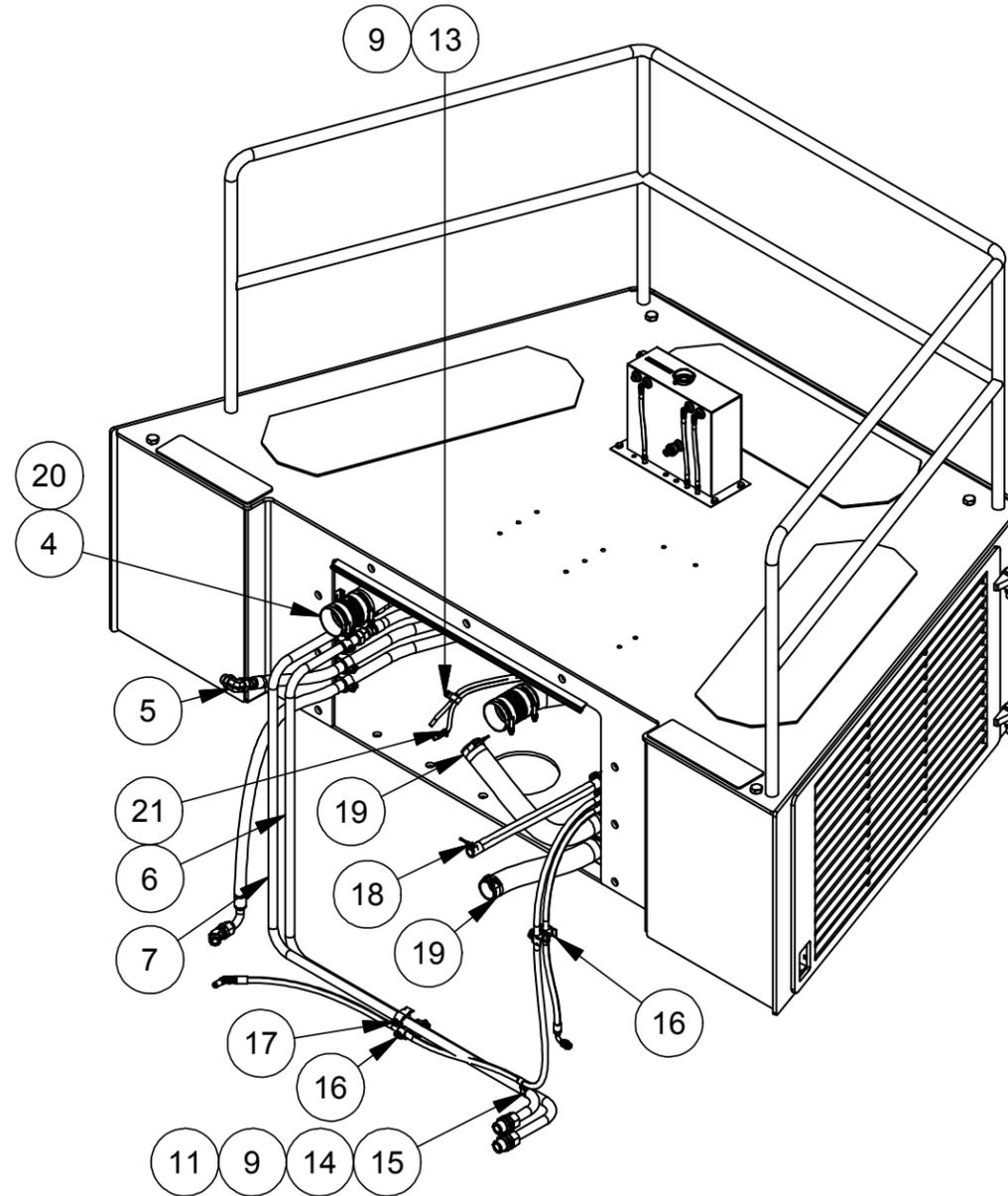
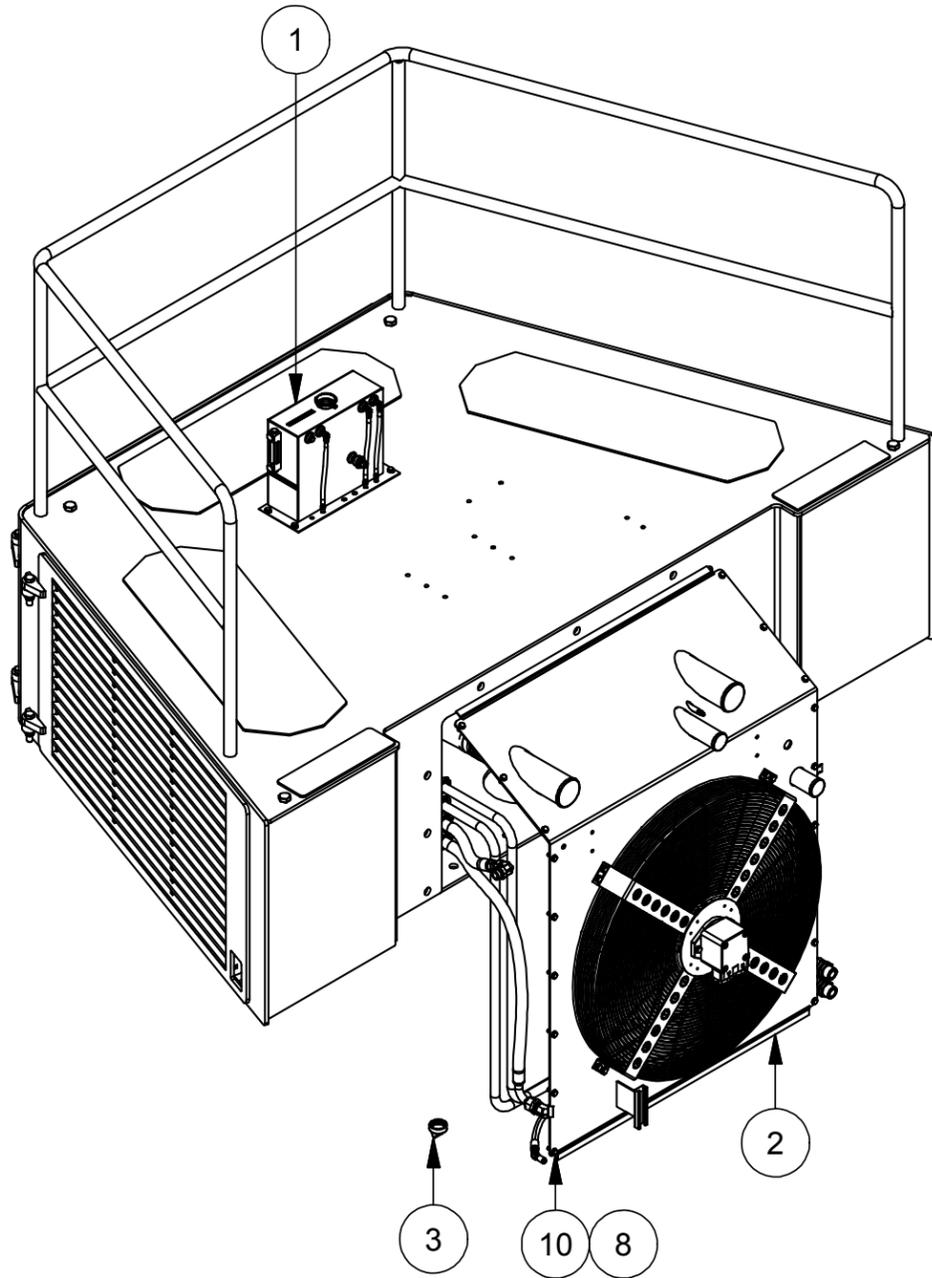

Installation, Cooling Components

Installation, Cooling Components

Item	Part No.	Qty	Description	Item	Part No.	Qty	Description
	594272		Installation, Cooling Components				
1	* 594781	1	. Assembly, Air Box				
2	595052	1	. Assembly, Fan Shroud				
3	255497	2	. Valve, Vacuator				
4	243488	2	. Connector				
5	231454	1	. Fitting				
6	595503	1	. Weldment, Tube				
7	595504	1	. Weldment, Tube				
8	296420W	18	. Hard Washer				
9	251118	2	. Capscrew				
10	293629W	18	. Capscrew				
11	302400W	1	. Locknut				
12	2510144	1	. Fitting				
13	209698	1	. Clamp				
14	R13808094	1	. Clip, Insul				
15	R2528352	1	. Clip, Insul				
16	231537	3	. Clamp, Hydra-Zorb				
17	231249	4	. Clamp, Hydra-Zorb				
18	R13809929	1	. T-Bolt Clamp				
19	225369	2	. T-Bolt Clamp				
20	243489	4	. Clamp				
21	R6515575	1	. Hose Clamp				

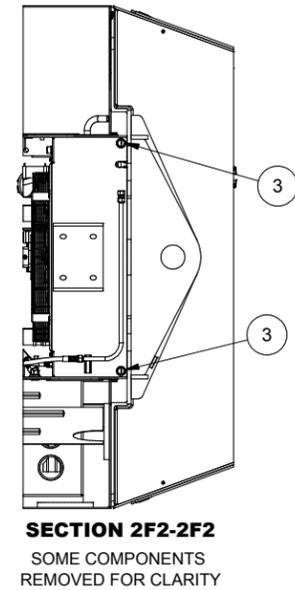
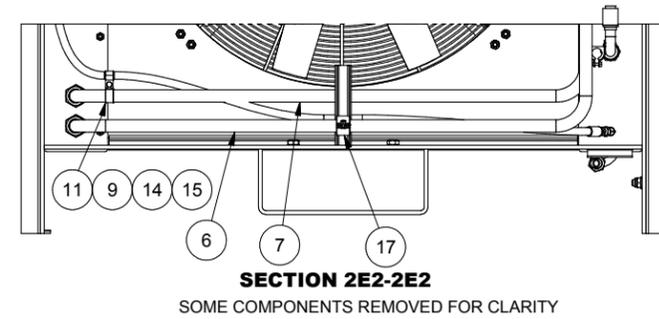
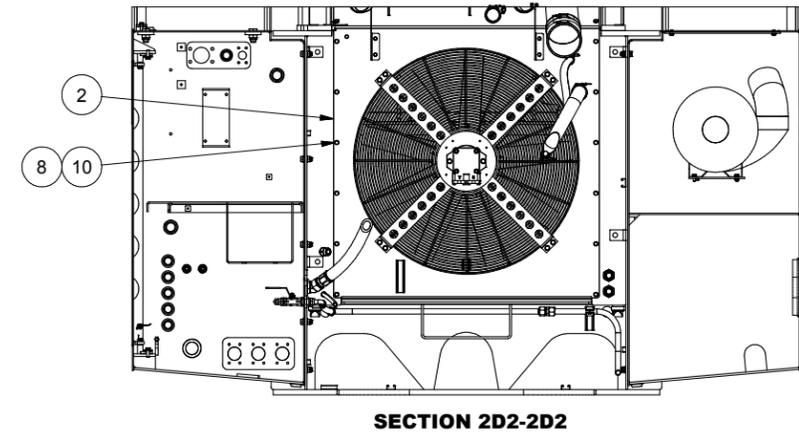
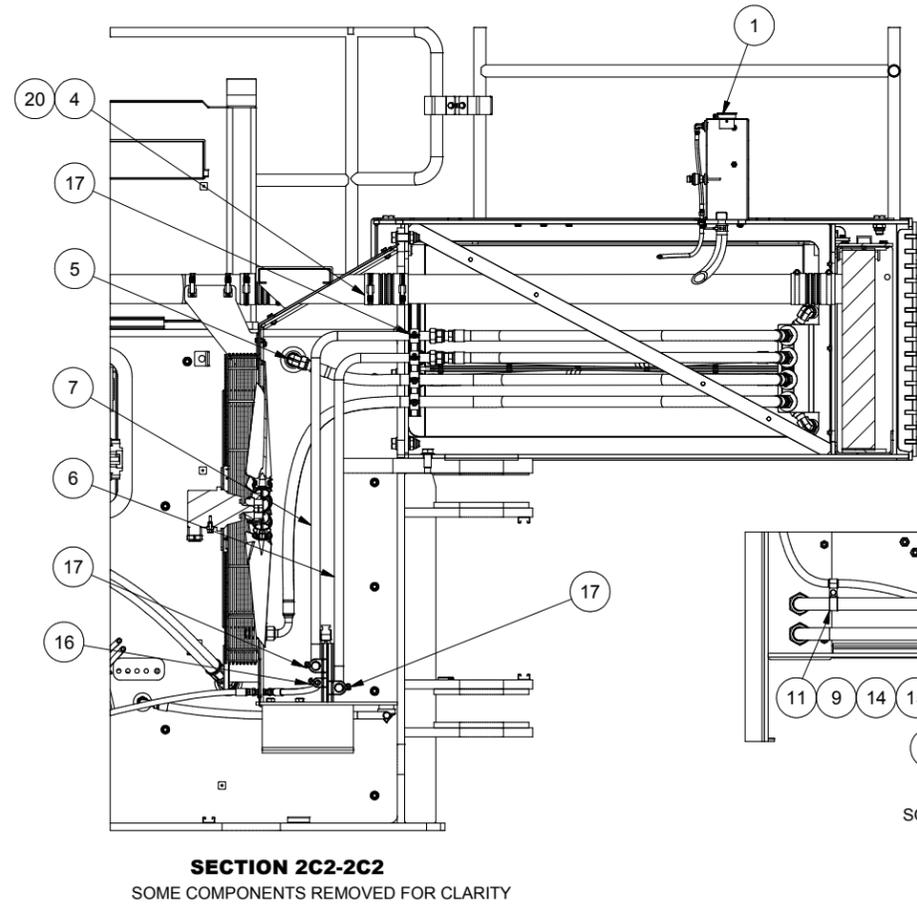
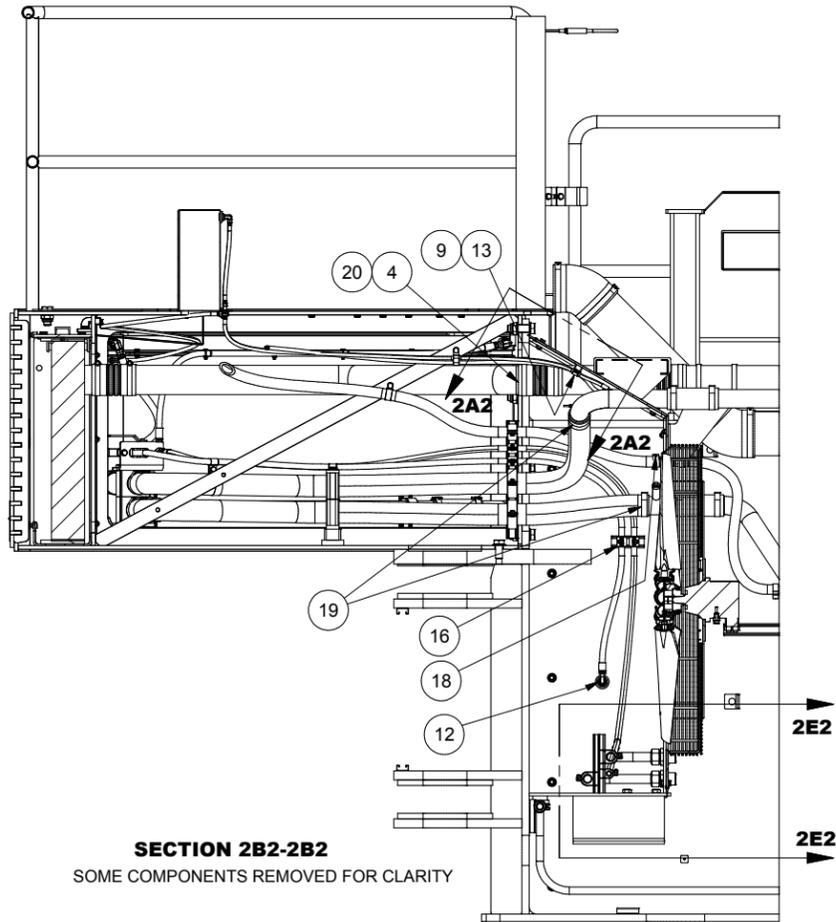
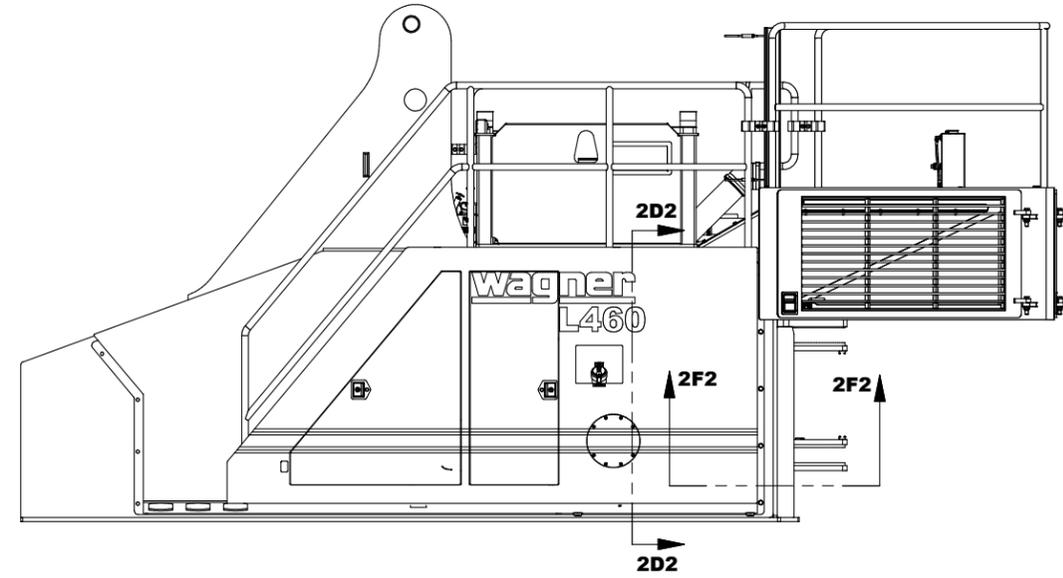
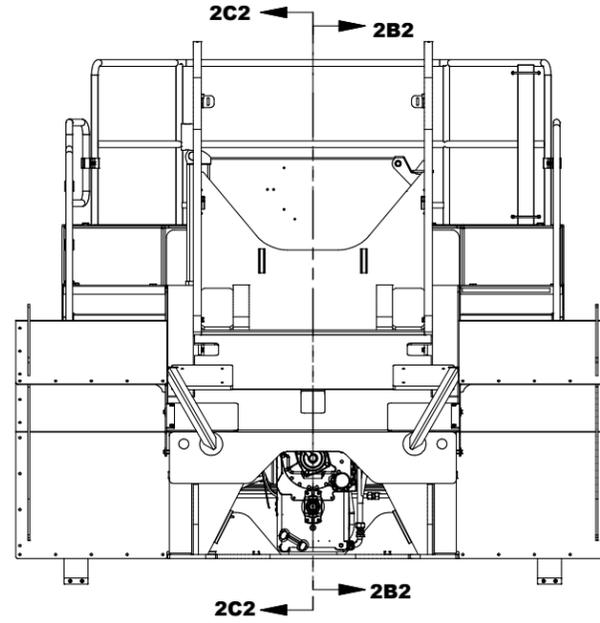
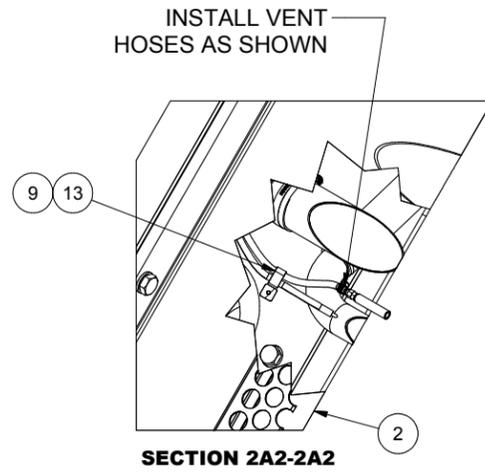
* See Separate Coverage



SOME COMPONENTS REMOVED FOR CLARITY

NOTES:

1. SEE POWER UNIT INSTALLATION FOR CONTINUATION OF HOSE AND TUBE ROUTING.
2. VENT LINES NEED TO BE ROUTED IN CONTINUOUS UPWARD PATH TO SURGE TANK.



B